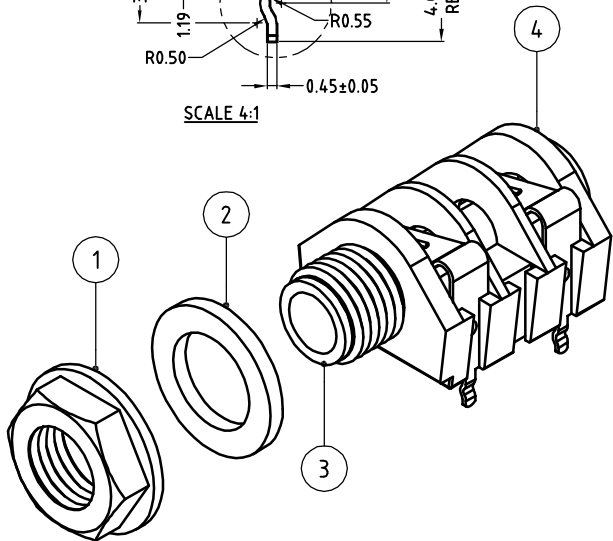
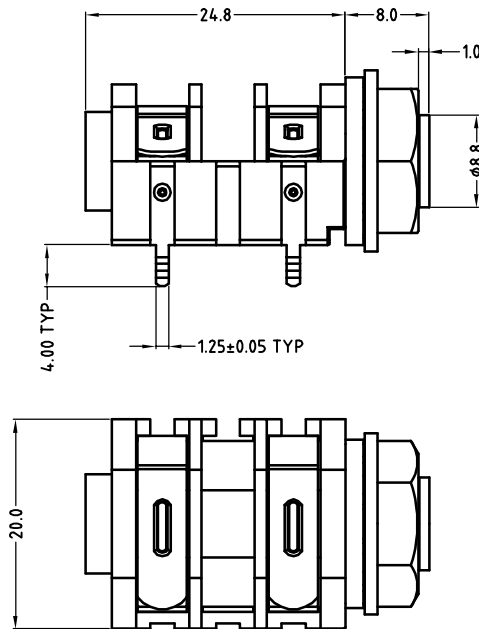


SCALE 4:1

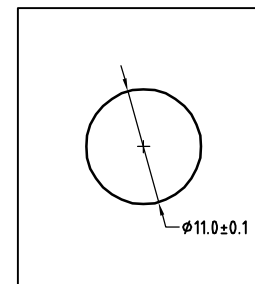
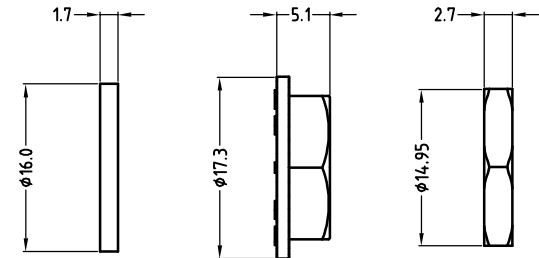


ITEM	DESCRIPTION
1	PLASTIC/METAL NUT
2	FIBRE WASHER
3	METAL TUBE INSERT
4	CONNECTOR ASSEMBLY

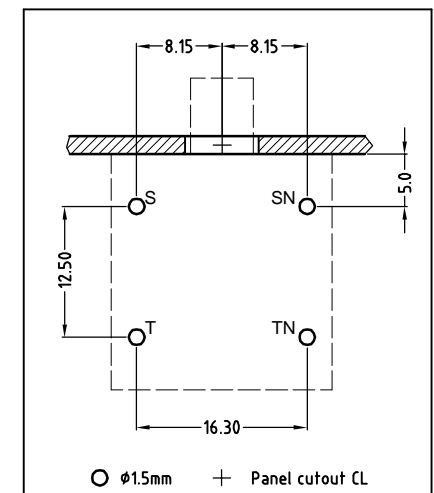


PART No.	CATALOG No.	DESCRIPTION
55010130-502	ACJM-PHR	PLASTIC NUT
55010130-702	ACJM-MHR	METAL NUT

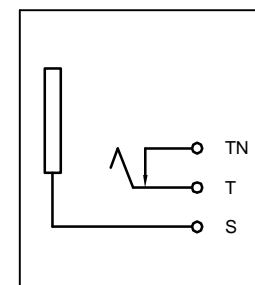
NUT OPTIONS
FIBRE WASHER PLASTIC NUT METAL NUT



PANEL CUTOUT



PCB LAYOUT



SCHEMATIC

REV.	DESCRIPTION	BY	DATE	CHG/No
1	CHANGE PLASTIC WASHER TO FIBRE WASHER	L.V	22-10-03	8226
	FIRST ISSUE	L.V	11-02-02	----
	CHANGE DETAILS			

UNLESS OTHERWISE SPECIFIED TOLERANCE TO BE		THIS DOCUMENT IS THE PROPERTY OF AMPHENOL AUSTRALIA PTY. LTD. NO PART THEREOF MAY BE REPRODUCED AND USED WITHOUT THE PRIOR WRITTEN CONSENT OF THE OWNER			
LINEAR	ANGULAR	CAD FILE:	55010130502111	DRN:	L.V
X ± 1	X° ± 1°	MATL:	REFER TO COMPONENT	CKD:	M.N.H
X.X ± 0.5	X°X' ± 30'	DO NOT SCALE	FINISH: REFER TO COMPONENT	APP'D:	P.M
X.XX ± 0.10	X°X'X" ± 15"	DIMENSIONS IN MILLIMETRES		SCALE:	2:1 UOS
BREAK ALL SHARP EDGES AND REMOVE ALL BURRS		THIRD ANGLE PROJECTION		PART No:	REFER TO TABLE
				SIZE:	A3

Amphenol
1/4" MONO JACK CUSTOMER DRAWING
 Amphenol Australia Pty Ltd, 2 Fireways Blvd, Keysborough, Vic 3173
 DRAWING NO. SHEET
 55010130-502-1 1 OF 1

X-ON Electronics

Largest Supplier of Electrical and Electronic Components

Click to view similar products for [Phone Connectors](#) category:

Click to view products by [Amphenol](#) manufacturer:

Other Similar products are found below :

[M444B](#) [6J1041A](#) [R4F](#) [E12BPKG](#) [ECP4PKG](#) [161-3502L-E](#) [MT333X](#) [171-0350-EX](#) [171-101A-EX](#) [171-3325-EX](#) [176S](#) [NC3MG-V](#)
[NYS228G](#) [P10834](#) [P2380](#) [P2381X](#) [P2411X](#) [P2412](#) [P2724](#) [JM2PB-AU BULK](#) [9144](#) [S2674](#) [280L](#) [163-156N-2-E](#) [163-158N-2-E](#) [171-3308-](#)
[EX](#) [171-3500-E](#) [2501FT](#) [CMT335](#) [M10662](#) [330Q](#) [RJ5VI-S](#) [40116](#) [TM1R-AU](#) [TM2PBMJ-AU](#) [TM2PJ-AU](#) [TM2PJ-AU BULK](#) [4803.1351](#)
[49201](#) [49205](#) [TS3PBJ-AU](#) [TS3PBMJ-AU](#) [TT32BX](#) [54B](#) [40112](#) [40205](#) [XMT332B](#) [52170017-331](#) [570](#) [NM3](#)