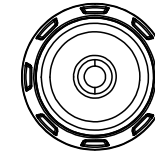
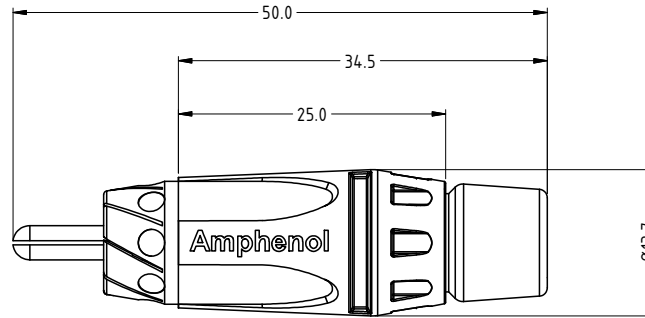
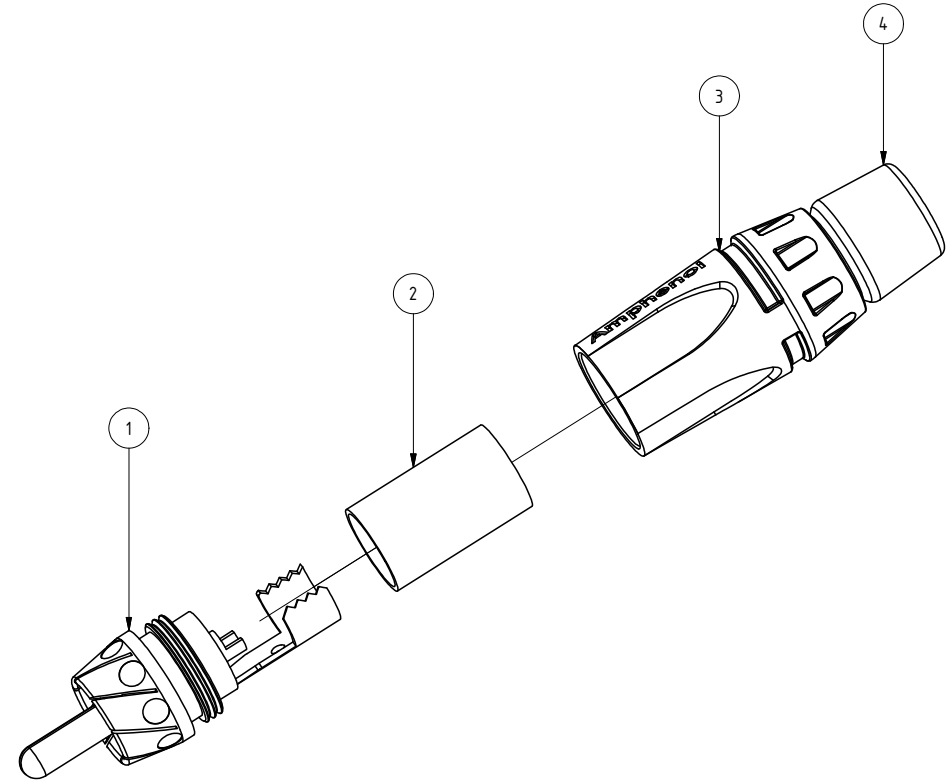


ISO VIEW



Part Numbers According to Backshell and Grommet Finish			
CATALOGUE P/No	REFERENCE P/No.	SHELL FINISH	GROMMET FINISH
ACPL-CRD	55010808-000	BLACK CHROME	RED
ACPL-CYL	55010808-001	BLACK CHROME	YELLOW
ACPL-CGR	55010808-002	BLACK CHROME	GREEN
ACPL-CBL	55010808-003	BLACK CHROME	BLUE
ACPL-CWH	55010808-004	BLACK CHROME	WHITE
ACPL-CBK	55010808-005	BLACK CHROME	BLACK



ITEM	PART NUMBER	DESCRIPTION	QTY
4	50120023-83x	GROMMET - P/N BASE ON THE COLOUR	1
3	53490091-000	BLACK CHROME FINISH DIECAST SHELL	1
2	51270094-521	INSULATE PLASTIC PVC TUBE	1
1	51560098-140	RCA INSERT ASSEMBLY GOLD FINISH	1

PART LIST

UNLESS OTHERWISE SPECIFIED TOLERANCE TO BE		THIS DOCUMENT IS THE PROPERTY OF AMPHENOL AUSTRALIA PTY. LTD. NO PART THEREOF MAY BE REPRODUCED AND USED WITHOUT THE PRIOR WRITTEN CONSENT OF THE OWNER				1	FIRST ISSUE	MH	24-01-12	----
LINEAR	ANGULAR	CAD FILE: 55010808000220	DSD:	MH	DATE: 24-01-12	REV.	CHANGE DETAILS	BY	DATE	CHG/No
X ± 0.5 XX ± 0.1 XXX ± 0.05	X' ± 1 X'X' ± 30' X'X'X' ± 15'	MATL: REFER TO COMPONENT	CKD:	M.N.H	DATE: 24-01-12					
BREAK ALL SHARP EDGES AND REMOVE ALL BURRS		DO NOT SCALE	FINISH: REFER TO TABLE	APP'D:	PM	DATE: 24-01-12	TITLE: SHORT MALE RCA PLUG CUSTOMER DWG		DRAWING NO. 55010808-000-1	
DIMENSIONS IN MILLIMETRES		THIRD ANGLE PROJECTION		SCALE: 2:1 UOS	PART No: REFER TO TABLE	SIZE: A3	SHEET 1/2		Amphenol Australia Pty Ltd, 7 Finemore Blvd, Keysborough, VIC3173	

X-ON Electronics

Largest Supplier of Electrical and Electronic Components

Click to view similar products for [RCA Phono Connectors](#) category:

Click to view products by [Amphenol](#) manufacturer:

Other Similar products are found below :

[17PP052](#) [NYS352AG](#) [333-0000](#) [330F3](#) [336AX](#) [342-0000](#) [AP-165](#) [598](#) [AX101880](#) [716SNS1P11PL-25](#) [585](#) [330-0000](#) [335-0000](#) [588](#)
[ACJD-BLK](#) [NF2D-2](#) [NF2D-9](#) [NF2D-B-0](#) [NF2D-B-4](#) [299](#) [ACJD-RED](#) [ACJD-WHT](#) [PJRAS3X1S01X](#) [RCJ-2244](#) [3507](#) [413-0100](#) [431-0500](#)
[331-0000](#) [561](#) [NF2D-5](#) [NF2D-B-2](#) [NF2D-B-6](#) [566](#) [571](#) [572](#) [574](#) [NMPMF](#) [580](#) [581](#) [583](#) [586](#) [587](#) [589](#) [598](#) [NYS354](#) [NYS372P](#) [NYS373-](#)
[2-U](#) [ACJD-GRN](#) [936](#) [PJRAS1X3S02X](#)