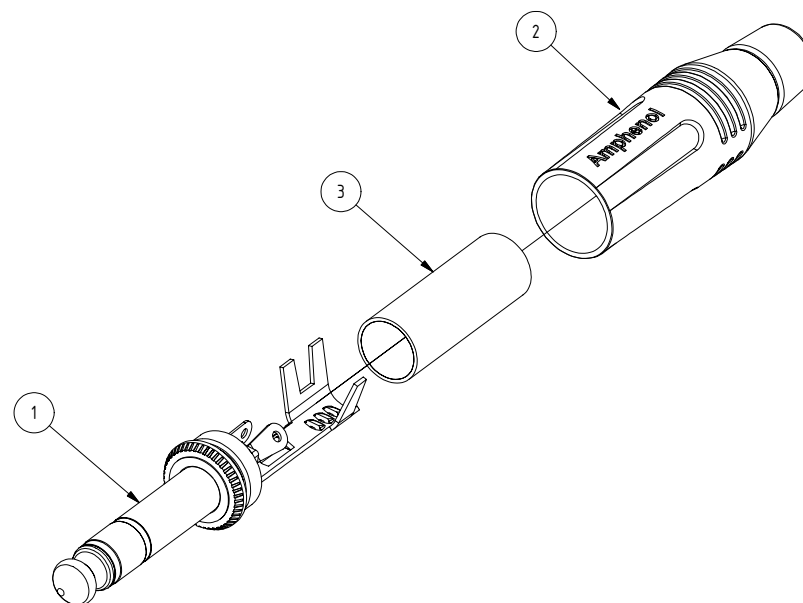


ISO VIEW



Parts List				
ITEM	PART NUMBER	DWG No	DESCRIPTION	QTY
1	50310006-*30	50310006-130-1	INSERT ASSEMBLY	1
2	53490001-*31	53490001-331-1	BACKSHELL ASSEMBLY	1
3	51270016-521	51270013-521-1	PVC INSULATION TUBE	1

Part Numbers According to Shell and Contact Finish			
CATALOGUE P/No	REFERENCE P/No.	SHELL FINISH	CONTACT FINISH
ACPS-GN	55010217-000	NICKEL	NICKEL RING, SLEEVE AND TIP
ACPS-GN-AU	55010217-001	NICKEL	GOLD RING, SLEEVE AND TIP
ACPS-GB	55010217-002	BLACK	NICKEL RING, SLEEVE AND TIP
ACPS-GB-AU	55010217-003	BLACK	GOLD RING, SLEEVE AND TIP

UNLESS OTHERWISE SPECIFIED TOLERANCE TO BE		THIS DOCUMENT IS THE PROPERTY OF AMPHENOL AUSTRALIA PTY LTD. NO PART THEREOF MAY BE REPRODUCED AND USED WITHOUT THE PRIOR WRITTEN CONSENT OF THE OWNER				1	UPDATE TO MODIFIED COMPONENT	LV	1/03/2004	8241
LINEAR		ANGULAR		CAD FILE: 55010217000111		0	FIRST ISSUE	T.N	21/11/2002	----
X ± 0.5	X ± 1	DATE: 21/11/2002		DSD: T.N		CHANGE DETAILS		BY	DATE	CHG/No
XX ± 0.1	XX ± 30'	DATE: 04-05-04		M.N.H		TITLE: 1/4" PHONE PLUG STEREO ASSY		Amphenol Australia Pty Ltd, 2 Fineways Blvd, Keysborough, Vic3173		
XXX ± 0.05	XXX ± 15'	DATE: 04-05-04		P.M		DRAWING NO.		SHEET		
BREAK ALL SHARP EDGES AND REMOVE ALL BURRS		MATERIAL: REFER TO COMPONENTS		APP'D:		PART No: SEE TABLE		SIZE: A3		
DO NOT SCALE		FINISH: SEE TABLE		SCALE: 2:1 UOS		DRAWING NO. 55010217-000-1		SHEET 1/1		
DIMENSIONS IN MILLIMETRES		THIRD ANGLE PROJECTION		SCALE: 2:1 UOS		PART No: SEE TABLE		SIZE: A3		

Amphenol

Amphenol Australia Pty Ltd, 2 Fineways Blvd, Keysborough, Vic3173

DRAWING NO.

55010217-000-1

SHEET

1/1

X-ON Electronics

Largest Supplier of Electrical and Electronic Components

Click to view similar products for [Phone Connectors](#) category:

Click to view products by [Amphenol](#) manufacturer:

Other Similar products are found below :

[M444B](#) [6J1041A](#) [R4F](#) [E12BPKG](#) [ECP4PKG](#) [161-3502L-E](#) [MT333X](#) [171-0350-EX](#) [171-101A-EX](#) [171-3325-EX](#) [176S](#) [NC3MG-V](#)
[NYS228G](#) [P10834](#) [P2380](#) [P2381X](#) [P2411X](#) [P2412](#) [P2724](#) [JM2PB-AU BULK](#) [9144](#) [S2674](#) [280L](#) [163-156N-2-E](#) [163-158N-2-E](#) [171-3308-](#)
[EX](#) [171-3500-E](#) [2501FT](#) [CMT335](#) [M10662](#) [330Q](#) [RJ5VI-S](#) [40116](#) [TM1R-AU](#) [TM2PBMJ-AU](#) [TM2PJ-AU](#) [TM2PJ-AU BULK](#) [4803.1351](#)
[49201](#) [49205](#) [TS3PBJ-AU](#) [TS3PBMJ-AU](#) [TT32BX](#) [54B](#) [40112](#) [40205](#) [XMT332B](#) [52170017-331](#) [570](#) [NM3](#)