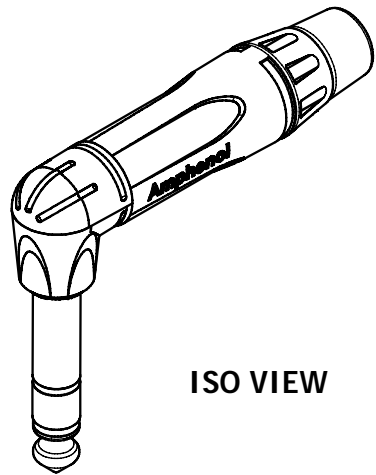
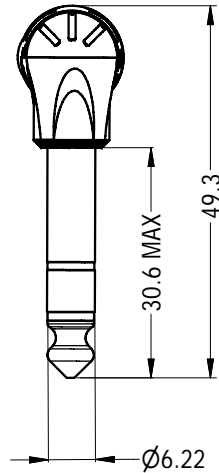
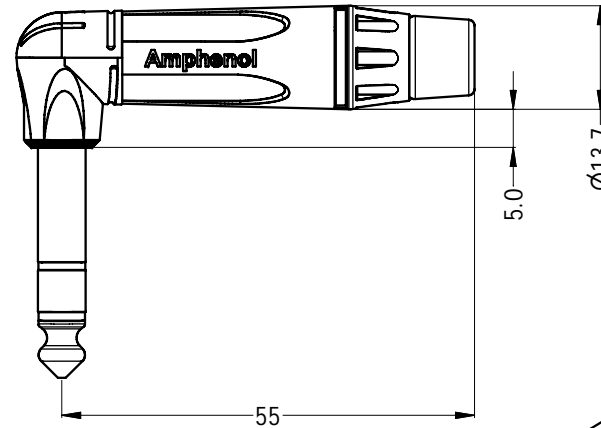
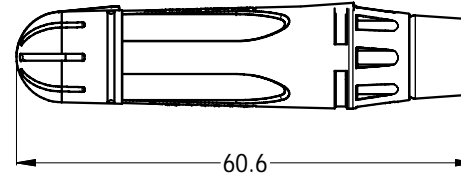


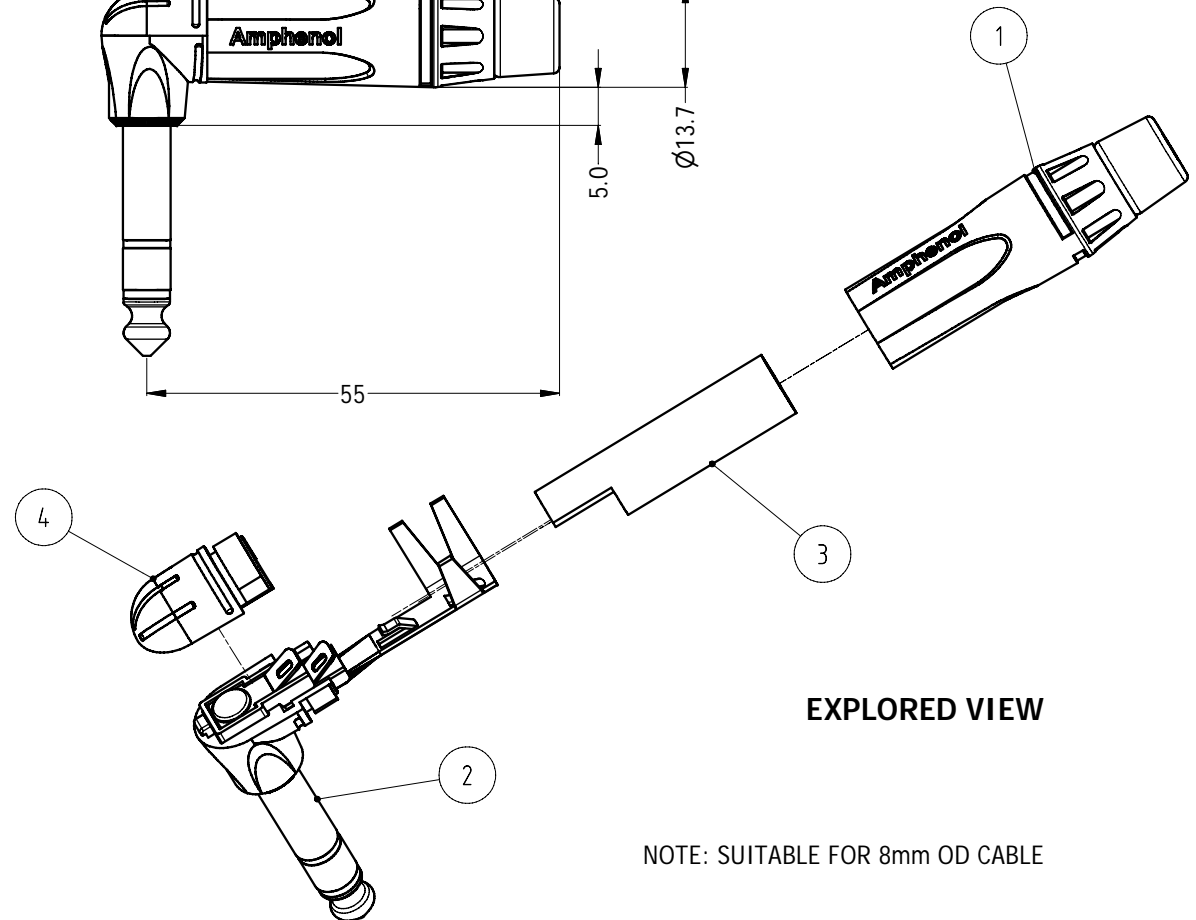
LEGEND = KEY PRODUCT CHARACTERISTICS

REVISION HISTORY

REV	DESCRIPTION	DATE	BY	ECN
0	FIRST ISSUE	10/12/2010	M.H	8983



ISO VIEW



EXPLORED VIEW

ITEM	PART NUMBER	DESCRIPTION	QTY
4	50300105-x21	RA DIECAST CAP NICKEL/BLACK FINISH	1
3	51270031-521	RA INSULATE PVC TUBE CLEAR	1
2	50310044-x30	RA STEREO INSERT ASSEMBLY NICKEL/GOLD	1
1	53490006-331/431	DIECAST SHELL NICKEL/BLACK FINISH	1

Parts List

PART NUMBER		
PART NUMBER	SHELL FINISH	CONTACT FINISH
ACJS-TN	NICKEL	NICKEL RING, SLEEVE & TIP
ACJS-TN-AU	NICKEL	GOLD RING, SLEEVE & TIP
ACJS-TB	BLACK	NICKEL RING, SLEEVE & TIP
ACJS-TB-AU	BLACK	GOLD RING, SLEEVE & TIP

NOTE: SUITABLE FOR 8mm OD CABLE

UNLESS OTHERWISE SPECIFIED TOLERANCE TO BE		THIS DOCUMENT IS THE PROPERTY OF AMPHENOL AUSTRALIA PTY. LTD. NO PART THEREOF MAY BE REPRODUCED AND USED WITHOUT THE PRIOR WRITTEN CONSENT OF THE OWNER			
LINEAR	ANGULAR	MATERIAL:	DRN: T.Z	DATE: 10-12-10	TITLE: 1/4" STEREO PHONE RA PLUG M-SERIES II CUSTOMER DRAWING
X ± 0.5 X.X ± 0.25 X.XX ± 0.1	X' ± 1 X.X' ± 30' X.XX' ± 15'	SEE PARTS LIST & TABLE	CKD: M.H	DATE: 10-12-10	
BREAK ALL SHARP EDGES AND REMOVE ALL BURRS		FINISH: SEE TABLE	APP'D: P.M	DATE: 10-12-10	
DO NOT SCALE		THIRD ANGLE PROJECTION	SCALE: 2:1	SIZE: A4	PART No: SEE TABLE
DIMENSIONS IN MILLIMETRES					DRAWING NO. 55010753-000-1

Amphenol Amphenol Australia Pty.Ltd,
2 Fiveways Blvd, Keysborough, VIC 3173

CAD FILE: 55010753000120	SHEET 1/2
--------------------------	---------------------

X-ON Electronics

Largest Supplier of Electrical and Electronic Components

Click to view similar products for [Phone Connectors](#) category:

Click to view products by [Amphenol](#) manufacturer:

Other Similar products are found below :

[M444B](#) [6J1041A](#) [R4F](#) [E12BPKG](#) [ECP4PKG](#) [161-3502L-E](#) [MT333X](#) [171-0350-EX](#) [171-101A-EX](#) [171-3325-EX](#) [176S](#) [NC3MG-V](#)
[NYS228G](#) [P10834](#) [P2380](#) [P2381X](#) [P2411X](#) [P2412](#) [P2724](#) [JM2PB-AU BULK](#) [9144](#) [S2674](#) [280L](#) [163-156N-2-E](#) [163-158N-2-E](#) [171-3308-](#)
[EX](#) [171-3500-E](#) [2501FT](#) [CMT335](#) [M10662](#) [330Q](#) [RJ5VI-S](#) [40116](#) [TM1R-AU](#) [TM2PBMJ-AU](#) [TM2PJ-AU](#) [TM2PJ-AU BULK](#) [4803.1351](#)
[49201](#) [49205](#) [TS3PBJ-AU](#) [TS3PBMJ-AU](#) [TT32BX](#) [54B](#) [40112](#) [40205](#) [415](#) [XMT332B](#) [52170017-331](#) [570](#)