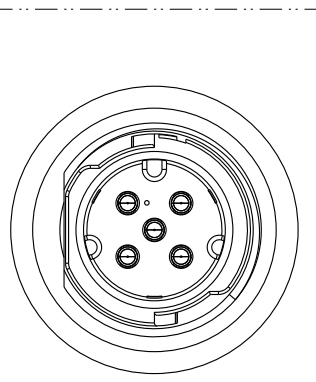
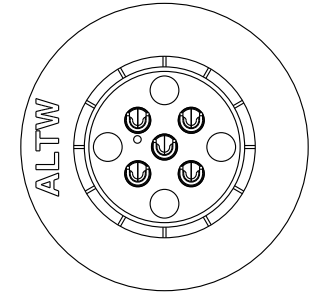
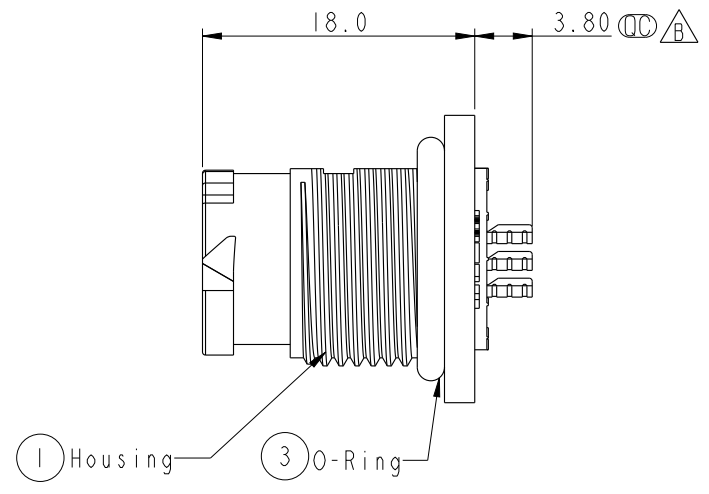
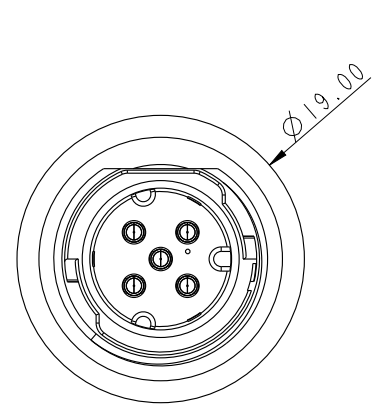


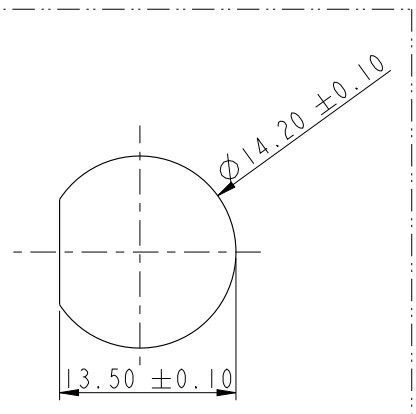
THIS DOCUMENT IS SUBJECT TO CHANGE WITHOUT NOTICE. IT IS CONFIDENTIAL AND A PROPERTY OF Amphenol LTW. DISCLOSURE TO THIRD PARTY HAS TO BE AUTHORIZED BY Amphenol LTW.

REV.	ECN NO.	DATE	SIGN	DESCRIPTION
B	LEN1860137	2018-06-11	Ouyang	Change the lettering
C	LE31870037	2018-07-09	Ouyang	Update specifications
D		2018-07-23	Ouyang	Update specifications

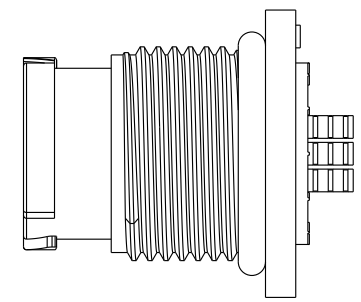
**ALTW**  
**CONFIDENTIAL**  
 2018-07-23  
**R&D DEPT.**



Pin Assignments  
Front View



Recommended Panel Cut-out



- Note:  $\triangle$
- \*  $\text{CC}$  Important Dimension To Check.
  - \* Waterproof Rate: IP68
  - \* Flame Class: UL94V-0 (UV Resistance)
  - \* Housing: Nylon+GF, Black
  - \* Male Pin: Copper Alloy, Gold Plated
  - \* Nut: Nylon+GF, Black
  - \* Gasket: Silicone, Gray
  - \* Rated Current: 2~5Pin 5A(300V)  
6~8Pin 2A(30V)
  - \* Use Without Waterproof Cap  
Panel Thickness Max: 4.0mm
  - \* Use With Waterproof Cap  
Panel Thickness Max: 3.0mm

UNIT:mm		
TOLERANCE		
$\pm 0.5\text{mm}$		

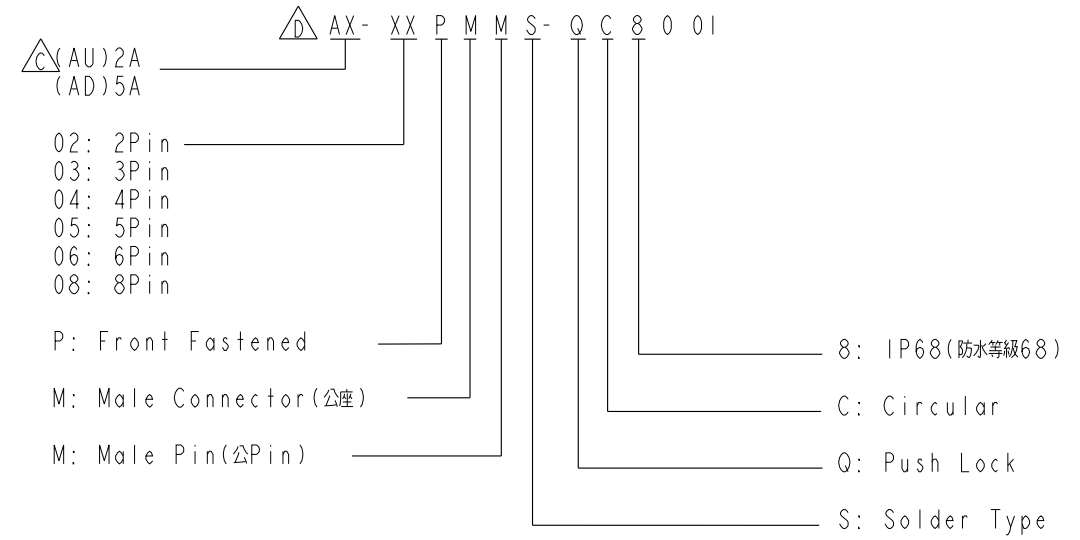
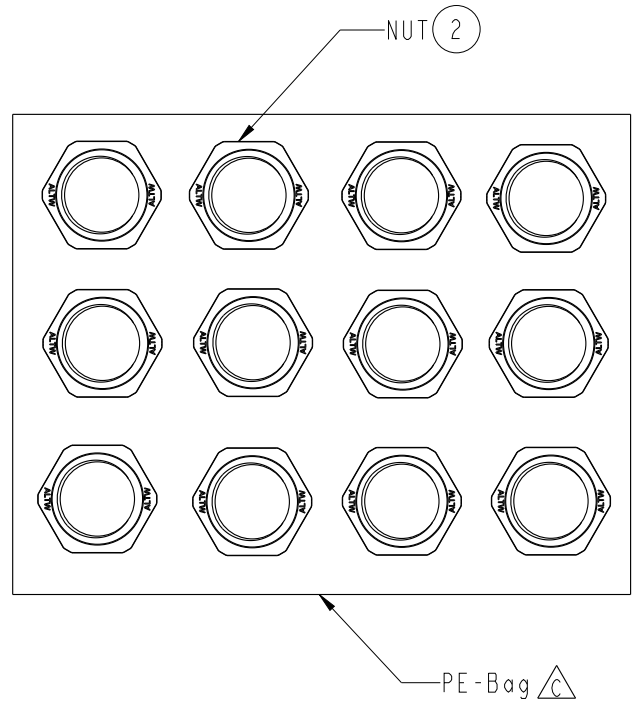
TITLE X Lok A-Size Receptacle Front Fastened M Conn M Pin			
SCALE 1:1	SIZE A4	SHEET 1 OF 2	
REV. D	WC-REV. .0	$\text{CC}$ : Inspection item	

**Amphenol LTW**  
 安費諾亮泰企業股份有限公司

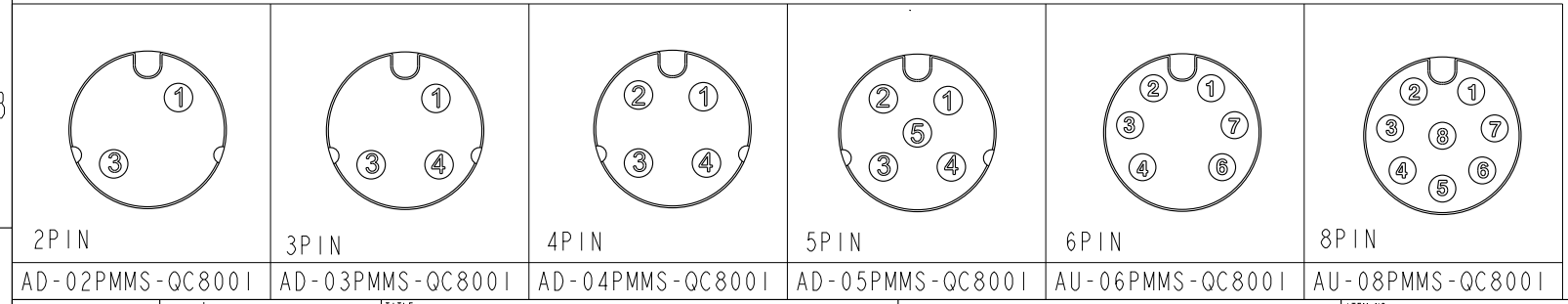
ITEM NO AX-XXPMMS-OC8001	DRAWN BY Ouyang	DATE 2018-07-23
DWG NO AX-XXPMMS-OC8001	CHECKED BY Mafei	DATE 2018-07-23
CUSTOMER ALTW	APPROVED BY Jerry	DATE 2018-07-23

THIS DOCUMENT IS SUBJECT TO CHANGE WITHOUT NOTICE. IT IS CONFIDENTIAL AND A PROPERTY OF AMPHENOL LTW. DISCLOSURE TO THIRD PARTY HAS TO BE AUTHORIZED BY AMPHENOL LTW.

REV.	ECN NO.	DATE	SIGN	DESCRIPTION



C



UNIT:mm		TITLE X Lok A-Size Receptacle Front Fastened M Conn M Pin	
TOLERANCE ±0.5mm		SCALE 1:1	SIZE A4
		REV. D	WC-REV. .0
		SHEET 2 OF 2 QC: Inspection item	

**Amphenol LTW**  
安費諾亮泰企業股份有限公司

ITEM NO AX-XXPMMS-QC8001	DRAWN BY Ouyang	DATE 2018-07-09
DWG NO AX-XXPMMS-QC8001	CHECKED BY Mafei	DATE 2018-07-09
CUSTOMER ALTW	APPROVED BY Jerry	DATE 2018-07-09

## X-ON Electronics

Largest Supplier of Electrical and Electronic Components

*Click to view similar products for [Circular Metric Connectors](#) category:*

*Click to view products by [Amphenol](#) manufacturer:*

Other Similar products are found below :

[600X518037X](#) [6STD15PCR99B70A](#) [8R4000A16M020](#) [8R5000A16M005](#) [1200910002](#) [1203580030](#) [1200910008](#) [1200910011](#) [1300140094](#)  
[130203-0054](#) [1300140026](#) [1300150099](#) [1-3637-600-5205](#) [1612618](#) [21036836414](#) [8R4006A16M010](#) [1R3006A20M005](#) [41-40011](#) [42-00006](#)  
[42-01015](#) [4-22279-4](#) [4-22281-1](#) [4-22284-9](#) [43-00113](#) [43-01203](#) [41-40013](#) [42-00008](#) [43-00343](#) [43-01026](#) [43-01162](#) [43-01173](#) [43-10000](#)  
[XS3P-M421-2](#) [600X518050X](#) [8R5006A16M020](#) [8R5006A16M005](#) [8R4000A16M010](#) [6-22279-3](#) [1605332](#) [N03FA03144](#) [1300140077](#) [43-](#)  
[16213](#) [43-01338](#) [XS2RD4265](#) [XS2R-D426-1](#) [XS8A-0441](#) [859RD04-103R004](#) [860RD04-113R004](#) [860RD04-213R004](#) [1-213245-2](#)