

PRELIMINARY ISSUE

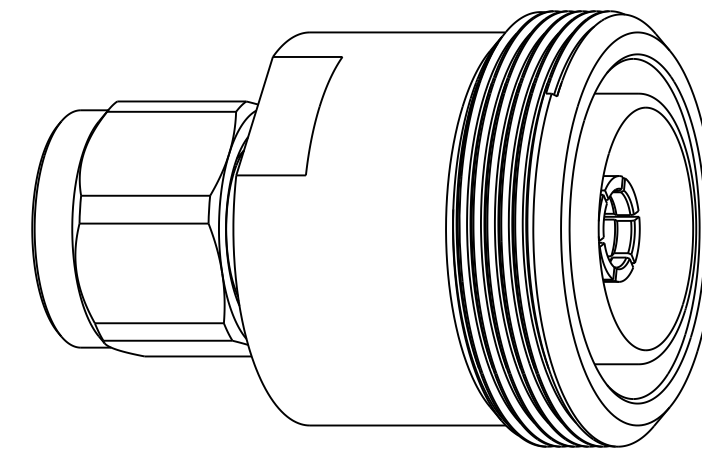
THIRD ANGLE PROJ.

REVISIONS

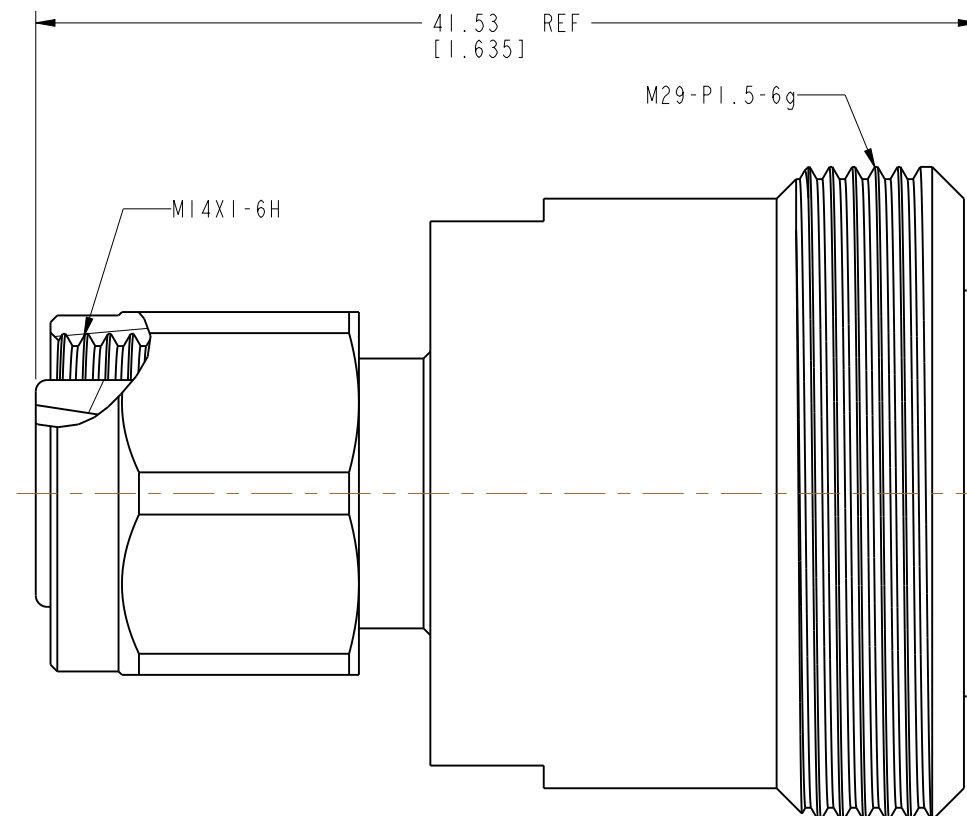
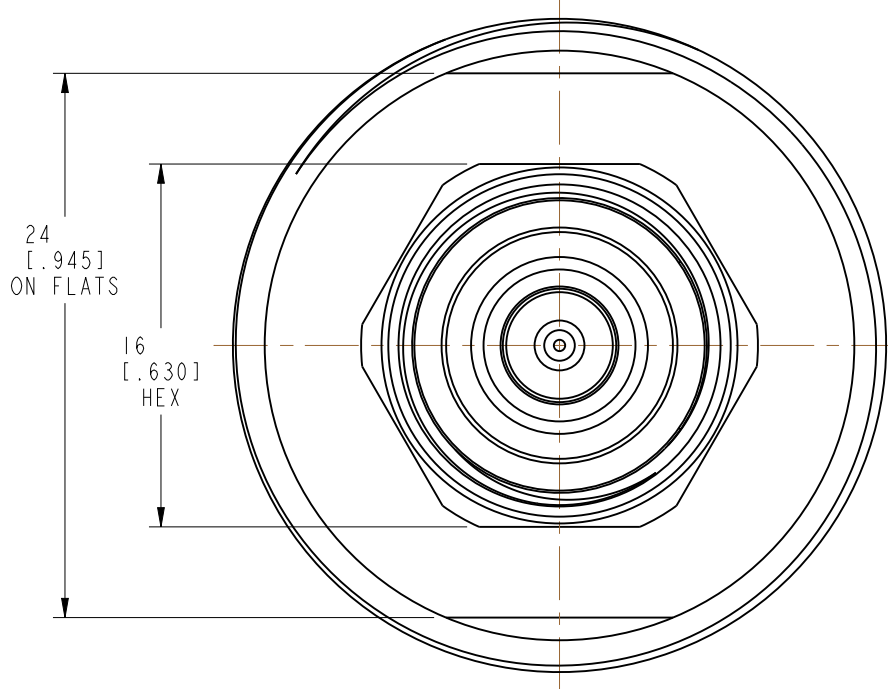
REV	DESCRIPTION	DATE	ECN	APPR
A	RELEASE TO MFG.	17-Oct-18	--	SV

NOTES:

- 1. MATERIALS AND FINISHES:
BODY - BRASS, WHITE BRONZE PLATING
CONTACT - BeCu, SILVER PLATING
INSULATOR - PTFE, NATURAL
- 2. ELECTRICAL:
A. IMPEDANCE: 50 OHM
B. FREQUENCY RANGE: DC - 6 GHz
C. VSWR(RETURN LOSS): 30 dB @ DC - 2 GHz
25 dB @ 2 - 6 GHz
D. INTERMODULATION 3RD ORDER: -166 dBc MAX. (2*43 dBm)
E. DIELECTRIC WITHSTANDING VOLTAGE: 2500 VRMS, MIN.
F. INSULATION RESISTANCE: 5000 MΩ MIN.
- 3. MECHANICAL:
A. DURABILITY: 500 CYCLES MIN.
B. TEMPERATURE RANGE: -55° C TO +100° C
- 4. PACKAGING:
A. QUANTITY: SINGLE PACK
B. MARKING: PACKAGING TO BE MARKED
"AMPHENOL RF, AD-716J225P-1, AND DATE CODE"



SCALE 2.000



CUSTOMER OUTLINE DRAWING

ALL OTHER SHEETS ARE FOR INTERNAL USE ONLY

UNLESS OTHERWISE SPECIFIED, DIMENSIONS ARE IN METRIC AND TOLERANCES ARE: <0.5mm ± 0.05mm 0.5 - 6mm ± 0.1mm 6 - 30mm ± 0.2mm 30 - 120mm ± 0.3mm ANGLES ± 1°	MATERIAL SEE NOTES	DRAWN S.VO	DATE 14-May-18	TITLE 2.2-5 PLUG TO 7/16 JACK ADAPTER		Amphenol RF www.amphenolrf.com	
NOTICE - These drawings, specifications, or other data (1) are, and remain the property of Amphenol corp. (2) must be returned upon request; and (3) are confidential and not to be disclosed to any person other than those to whom they are given by Amphenol Corp. the furnishing of these drawings, specifications, or other data by Amphenol Corp., or to any other person to anyone for any purpose is not to be regarded by implication or otherwise in any manner licensing, granting rights to permitting such holder or any other person to manufacture, use or sell any product, process or design, patented or otherwise, that may in any way be related to or disclosed by said drawings, specifications, or other data.	REFERENCE EAR# 8104 REF: ---	ENGINEER S.VO	DATE 14-May-18	SCALE: 3.0:1.0 SHEET 2 OF 2		DRAWING NO. AD-716J225P-1	
CONFIGURATION LEVEL: In Work	FINISH	APPROVED ---	DATE ---	CAD FILE	DWG SIZE B	REV A	ITEM NO. AD-716J225P-1 PART NO. AD-716J225P-1

X-ON Electronics

Largest Supplier of Electrical and Electronic Components

Click to view similar products for [RF Adapters - Between Series category](#):

Click to view products by [Amphenol manufacturer](#):

Other Similar products are found below :

[5945-9503-000](#) [MCX/F-SMA/M](#) [R192417010](#) [ADBJ20-E1-BJ379](#) [ADM2](#) [ADPL75-A1-PL75](#) [242191](#) [9317505](#) [AD130](#) [ADBJ20-E1-PL74](#)
[ADBJ20-E2-BJ79](#) [ADBJ77-E1-UPL20](#) [ADRMF370](#) [242190](#) [242215](#) [242228](#) [R125680000W](#) [R192430000](#) [UAD95](#) [1057367-1](#) [8311505](#)
[R114704000](#) [R451034500](#) [R451030500](#) [R451543000](#) [HDVDPN](#) [ADBJ20-K1-PL20](#) [R451570000](#) [R192419000](#) [R451034000](#) [J9](#) [J3WE-5](#)
[R451032500](#) [242201RP](#) [17K132-K00S5](#) [03K719-S22S3](#) [AD-RSMAF-RTNC](#) [53K156-K00N5](#) [53K160-KIMN1](#) [29S132-K01N5](#) [53S156-](#)
[K00N5](#) [02S119-S00E3](#) [28K132-K00N5](#) [02S109-K00S3](#) [27-8200TP](#) [242235](#) [ADBJ20-E1-BJ89](#) [ADP-SMAF-MMCXM](#) [000-2900](#) [321-102-](#)
[003 \(SMA-50/2-H155/W1.03 AU\)](#)