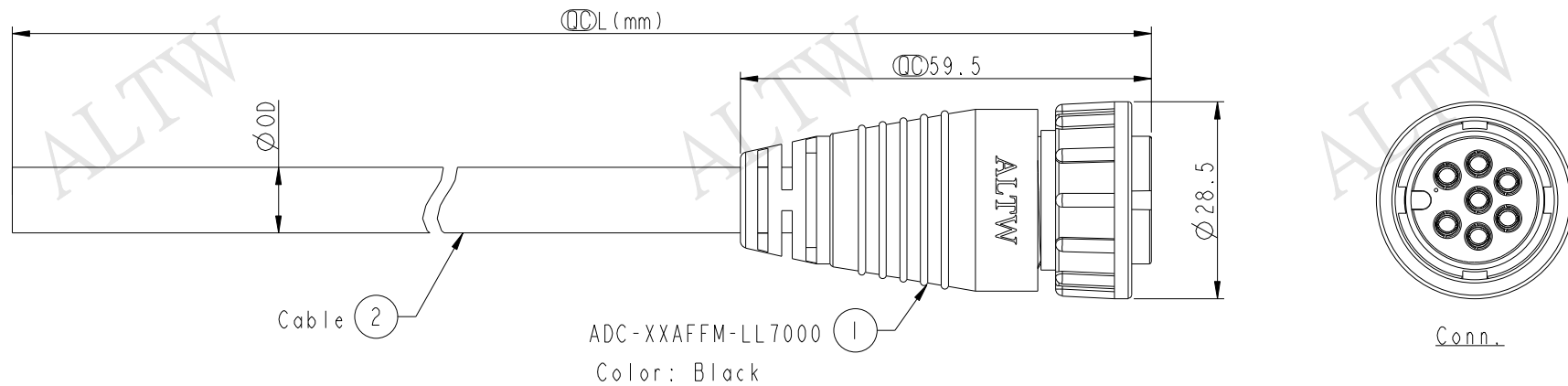


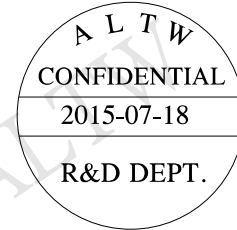
1	2	3	4	5	6	7	8
REV.	ECN NO.	DATE	SIGN	DESCRIPTION			



ADC-XXAFFM-LL7AXX
 02: 2Pin
 :
 :
 07: 7Pin

XX : 01~99Meters
 01 : 01Meter
 02 : 02Meters
 :
 :
 99 : 99Meters

Cable Length(L): 01~99Meters



- Note:
- * \varnothing Important Dimension To Check.
 - * Waterproof Rate: IP67
 - * Housing: Nylon+GF, Black.
 - * Female Pin: Copper Alloy, Gold Plated.
 - * Cable: UL2464 16AWG+D+AL/My
PVC Jacket UV Resistant, Black.
 - * Cable Length Tolerance: 01M: 40mm
02M~05M: ±60mm
06M~10M: ±100mm
11M~30M: ±200mm
31M~99M: ±500mm

7P	PVC	9.5	16	ADC-07AFFM-LL7AXX
6P		9.5		ADC-06AFFM-LL7AXX
5P		7.8		ADC-05AFFM-LL7AXX
4P		7.5		ADC-04AFFM-LL7AXX
3P		7.5		ADC-03AFFM-LL7AXX
2P		5.8		ADC-02AFFM-LL7AXX
Contacts	Cable Jacket	Cable OD	AWG	Item No.

UNIT: mm		TITLE LARGE CABLE LOCK F CONN F PIN		
TOLERANCE ±0.5		SCALE 1:1	SIZE A4	SHEET 1 OF 2
		REV. A	WC-REV. A.1	\varnothing : Inspection item

Amphenol LTW
 安費諾亮泰企業股份有限公司

ITEM NO.	DRAWN BY Jinhai	DATE 2015-07-18
DWG NO. ADC-XXAFFM-LL7AXX	CHECKED BY Rensong	DATE 2015-07-18
CUSTOMER ALTW	APPROVED BY Jerry	DATE 2015-07-18

THIS DOCUMENT IS SUBJECT TO CHANGE WITHOUT NOTICE. IT IS CONFIDENTIAL AND A PROPERTY OF Amphenol LTW. DISCLOSURE TO THIRD PARTY HAS TO BE AUTHORIZED BY Amphenol LTW.

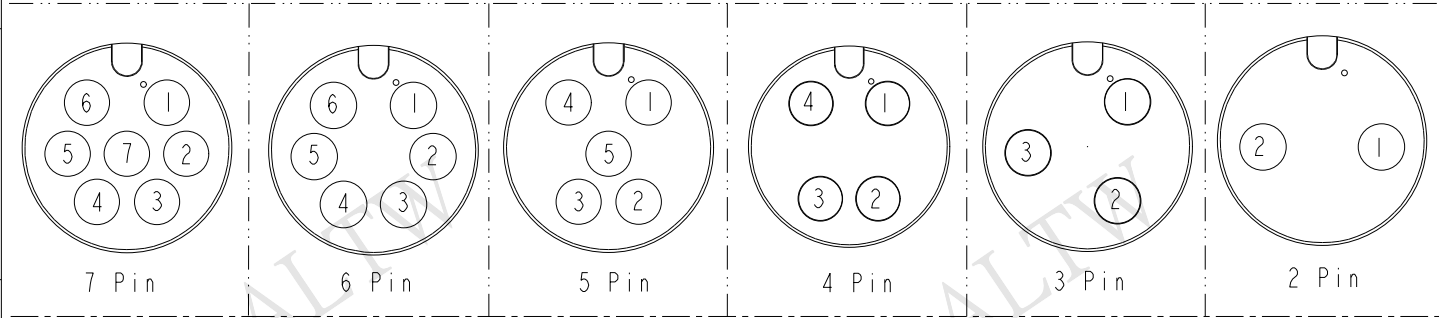
THIS DOCUMENT IS SUBJECT TO CHANGE WITHOUT NOTICE. IT IS CONFIDENTIAL AND A PROPERTY OF AMPHENOL LTW. DISCLOSURE TO THIRD PARTY HAS TO BE AUTHORIZED BY AMPHENOL LTW.

REV.	ECN NO.	DATE	SIGN	DESCRIPTION

ALTW
CONFIDENTIAL
 2015-07-18
 R&D DEPT.

7 Red 紅	6 Gray 灰	5 White 白	4 Orange 橙	3 Black 黑	2 Black 黑
6 Gray 灰	5 Yellow 黃	4 Brown 棕	3 Red 紅	2 Blue 藍	1 Red 紅
5 Yellow 黃	4 Green 綠	3 Blue 藍	2 Brown 棕	1 Brown 棕	
4 Green 綠	3 White 白	2 Black 黑	1 Black 黑		
3 White 白	2 Blue 藍	1 Red 紅			
2 Blue 藍	1 Brown 棕				
1 Brown 棕					
Pin # Wire	Pin # Wire	Pin # Wire	Pin # Wire	Pin # Wire	Pin # Wire

Pin Out



UNIT: mm TOLERANCE .X ±0.25 .XX ±0.1 .XXX ±0.05 ANGLES ±1°		TITLE LARGE CABLE LOCK F CONN F PIN		Amphenol LTW 安費諾亮泰企業股份有限公司	ITEM NO	DRAWN BY	DATE
		SCALE 1:1	SIZE A4		SHEET 2 OF 2	DWG NO ADC-XXAFFM-LL7AXX	CHECKED BY Rensong
REV. A	WC-REV. A.1	QC: Inspection item		CUSTOMER ALTW	APPROVED BY Jerry	DATE 2015-07-18	8 FNN10702-01-02A1

X-ON Electronics

Largest Supplier of Electrical and Electronic Components

Click to view similar products for [Sensor Cables / Actuator Cables](#) category:

Click to view products by [Amphenol](#) manufacturer:

Other Similar products are found below :

[60963](#) [60964](#) [703000D02F2002](#) [703001D02F0602](#) [703001D02F300](#) [704000D02F120](#) [773032K02F030](#) [802027107404-1](#) [802027213811-1](#)
[804001A09M150](#) [805001A09M0502](#) [84914-0235](#) [84914-0237](#) [885030A09M020](#) [8R4J30E03C3003](#) [1200651332](#) [1200651713](#) [1200660844](#)
[1200660845](#) [1200661173](#) [1200680071](#) [1200720053](#) [1200720081](#) [1200720099](#) [1200720217](#) [1200800231](#) [1200860125](#) [1200870123](#)
[1200980102](#) [1200650267](#) [1200650298](#) [1200660183](#) [1200660782](#) [1200660849](#) [1200661295](#) [1200661297](#) [1200661342](#) [1200661343](#)
[1200670080](#) [1200670220](#) [1200680331](#) [1200720252](#) [1200730184](#) [1200860344](#) [1200870359](#) [1200870643](#) [1200980008](#) [1200980031](#)
[1210502211](#) [1210400542](#)