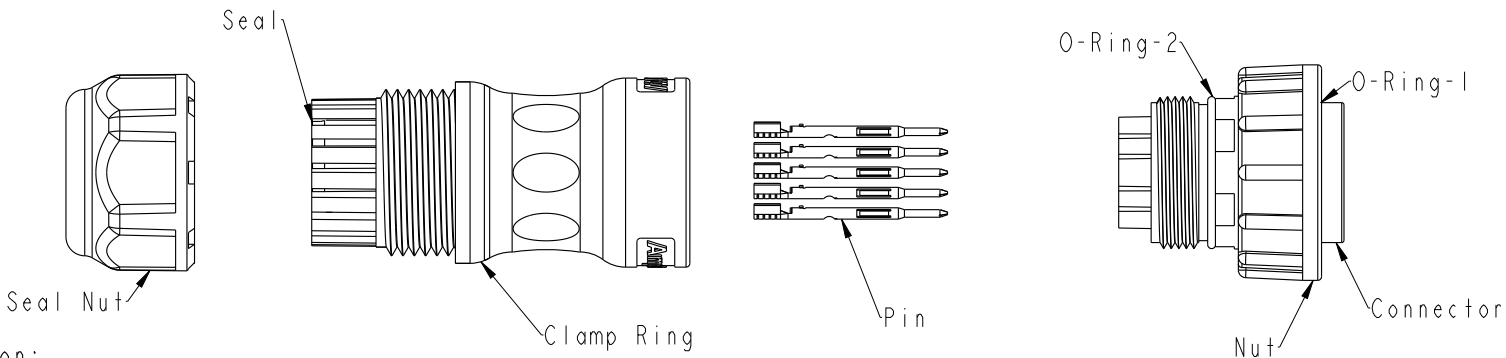


REV.	ECN NO.	DATE	SIGN	DESCRIPTION
B	C192041	2019-11-25	Peng	△ XI



**Material Specification:**

- \* Connector: Nylon+GF, Black.
- \* Pins: Copper Alloy, Gold Plated.
- \* Seal & O-Ring: Silicone, Gray.
- \* UL Rated: UL 94V-0, fl.
- \* RoHS Compliant.

**Electrical Specification:**

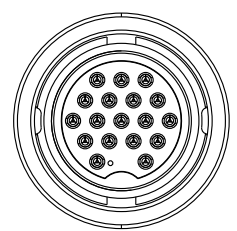
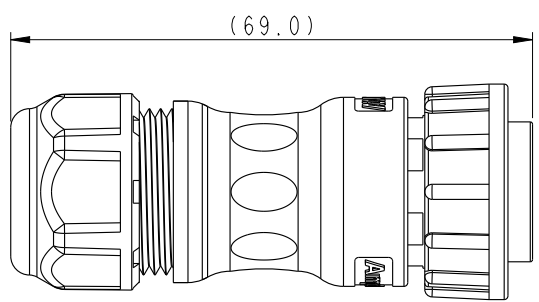
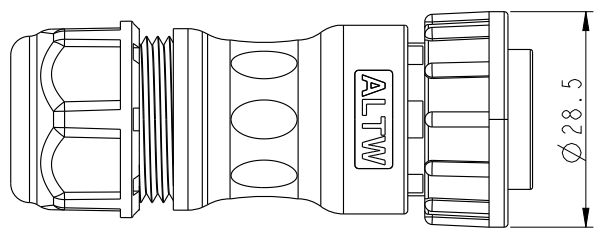
- \* Contact Resistance: 10mΩ Max.
- \* Insulation Resistance: 100MΩ Min.
- \* Dielectric Withstand Voltage: 1,600 Vac.

**Mechanical Specification:**

- \* Durability: 1000 Cycles.
- \* Tensile strength: 10 kgf.
- \* Wire Conductor:
  - 5A: 22AWG~20AWG
  - 20A: 14AWG~12AWG
- \* Wire Insulation OD:
  - 5A: 1.9mm Max.
  - 20A: 4.3mm Max.
- \* Torque Force for Clamp Ring: 6~8 kgf-cm
- \* Torque Force for Seal Nut: 6~8 kgf-cm

**Environmental Specification:**

- \* Waterproof Rating: IP67(Mated)
- \* Temperature Range: -40°C to 105°C.
- \* Salt Spray: Mated, 1000 Hours.
- \* Safety Compliance: UL 1977.



UNIT:mm		
TOLERANCE		
±0.5 mm		

TITLE Circular D-Size Field Installable Cable Type F Conn			
SCALE 8:5	SIZE A4	SHEET 1 OF 2	
REV. B	WC-REV. A.3	QC: Inspection item	

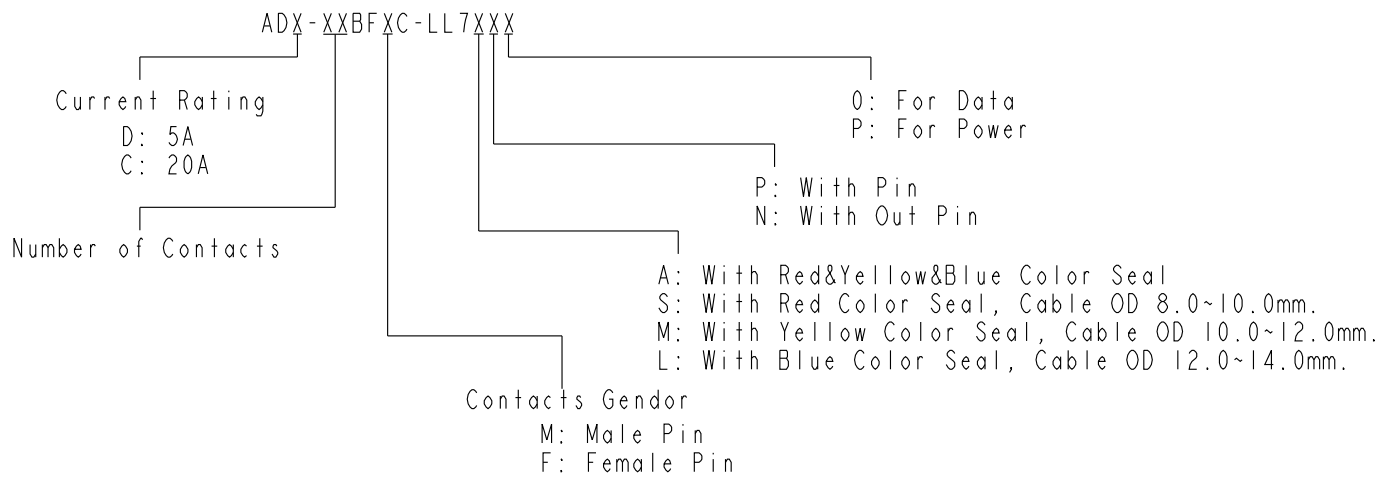
**Amphenol LTW**  
安費諾亮泰企業股份有限公司

ITEM NO.	DRAWN BY Peng	DATE 2018-12-17
DWG NO. ADX-XXBFXC-LL7XXX	CHECKED BY Mafei	DATE 2018-12-17
CUSTOMER ALTW	APPROVED BY Jerry	DATE 2018-12-17

THIS DOCUMENT IS SUBJECT TO CHANGE WITHOUT NOTICE. IT IS CONFIDENTIAL AND A PROPERTY OF Amphenol LTW. DISCLOSURE TO THIRD PARTY HAS TO BE AUTHORIZED BY Amphenol LTW.

THIS DOCUMENT IS SUBJECT TO CHANGE WITHOUT NOTICE. IT IS CONFIDENTIAL AND A PROPERTY OF AMPHENOL LTW. DISCLOSURE TO THIRD PARTY HAS TO BE AUTHORIZED BY AMPHENOL LTW.

Ordering Information:



Pin Assignments Front View	20A ; 2 Contacts(02)	20A ; 3 Contacts(03)	20A ; 4 Contacts(04)	20A ; 5 Contacts(05)	20A ; 6 Contacts(06)	20A ; 7 Contacts(07)	5A ; 18 Contacts(18)
Male Pin	/						
Female Pin							

UNIT:mm		TITLE Circular D-Size Field Installable Cable Type F Conn	
TOLERANCE ±0.5 mm	SCALE 8:5	SIZE A4	SHEET 2 OF 2
	REV. B	WC-REV. A.3	QC: Inspection item

**Amphenol LTW**  
 安費諾亮泰企業股份有限公司

ITEM NO	DRAWN BY Peng	DATE 2018-12-17
DWG NO ADX-XXBFXC-LL7XXX	CHECKED BY Mafei	DATE 2018-12-17
CUSTOMER ALTW	APPROVED BY Jerry	DATE 2018-12-17

## X-ON Electronics

Largest Supplier of Electrical and Electronic Components

*Click to view similar products for [Standard Circular Connector](#) category:*

*Click to view products by [Amphenol](#) manufacturer:*

Other Similar products are found below :

[6134-336-13149](#) [6134-337-11149](#) [6134-337-2390](#) [6134-341-17149](#) [6280-4SG-516](#) [6280-7SG-3DC](#) [6282-2SG-315](#) [67-02E12-60PX](#) [680-SMG](#) [CXS3102A181S](#) [7251-5SG-300](#) [7282-3PG-300-CH3](#) [75-190218-10P](#) [75-190611-03S](#) [75-474014-05S](#) [75-474118-10P](#) [75-474211-03P](#) [75-474218-19S](#) [75-474618-04P](#) [75-474618-04S](#) [75-474620-07P](#) [80-190222-18P](#) [805-005-07NF11-19PC](#) [805-005-07NF15-7PA](#) [8280-4PG-516](#) [8280-7PG-519](#) [862256-1](#) [866857-1](#) [867865-1](#) [PT08P-14-19S](#) [PT08P-14-5S](#) [PT08P-8-3S](#) [PTSF06SE-14-12S](#) [120-1833-000](#) [QCM019PC2DC012B](#) [121583-0217](#) [121667-0020](#) [RD10A16-19-P6CS051/1](#) [RD16A14-12-S6CS051/2](#) [1301240347](#) [1301790476](#) [1301240268](#) [1301240275](#) [1301860183](#) [1301860906](#) [1302261559](#) [DCU-08BFEA-LL7001](#) [RM15WTP-CP\(5\)\(71\)](#) [14381-10SG-300](#) [14482](#)