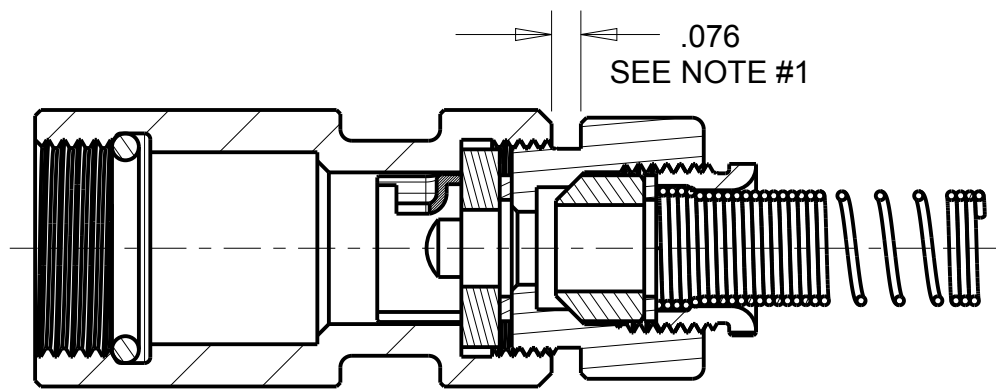
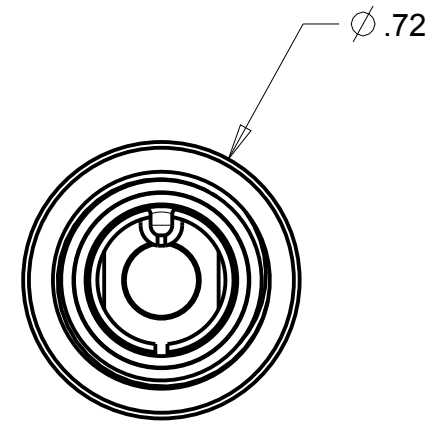
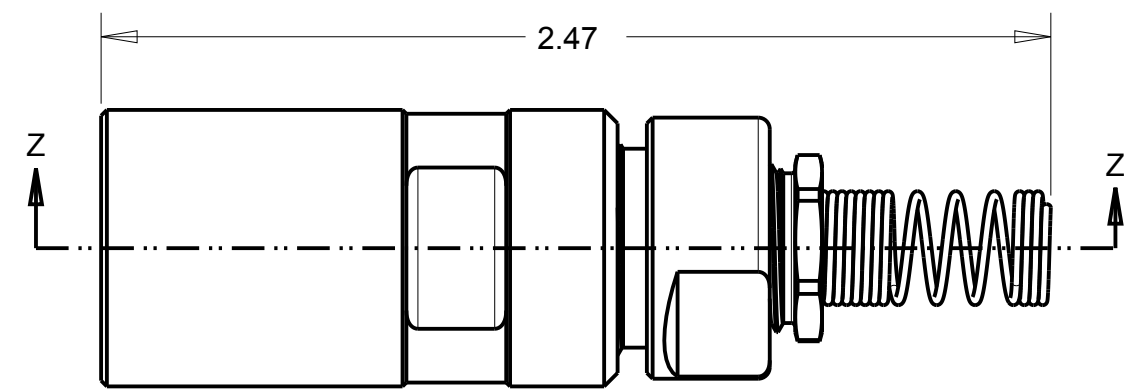
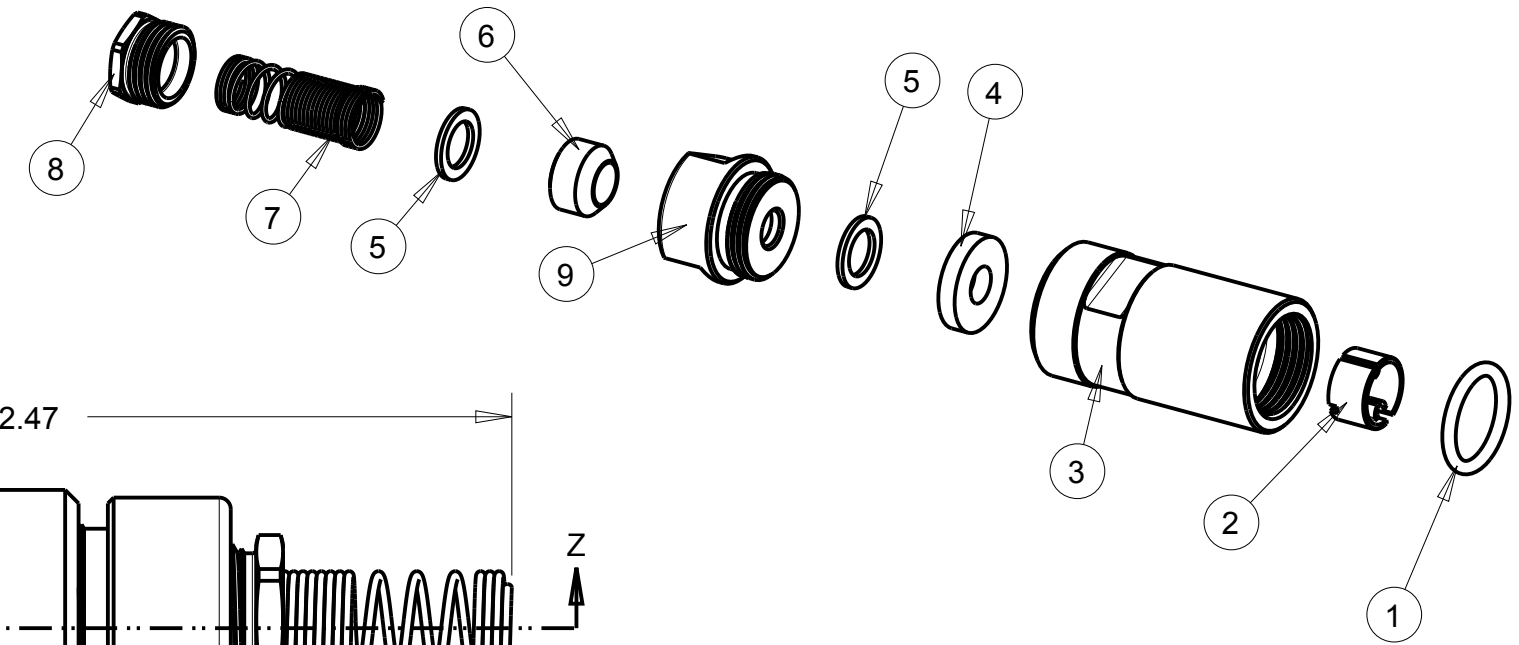


ITEM #	PART #	QTY	DESCRIPTION
1	AP-107-7	1	O-RING (RUBBER)
2	AJ-110BR-2G	1	STAY CORD HOLDER (NYLON)
3	NEX-06-21	1	SHELL (ALUMINUM)
4	NEX-06-22	1	WASHER, RUBBER
5	AJ-117BR-10	2	WASHER (STAINLESS STEEL)
6	AJ-117BR-9	1	BUSHING (RUBBER)
7	AJ-117BR-15	1	SPRING (STEEL WIRE)
8	NEX-06-23	1	STUD (ALUMINUM)
9	NEX-06-12	1	ADAPTER

**B** ADP-06



SECTION Z-Z

NOTES:  
 1) 18 IN-LBS (APPROX) TORQUE REQUIRED TO COMPRESS (#11) RUBBER WASHER FROM THIS DIMENSIONAL VALUE TO ZERO

THIS DOCUMENT CONTAINS PROPRIETARY INFORMATION OF NEXUS, INCORPORATED AND SUCH INFORMATION MAY NOT BE DISCLOSED TO OTHERS FOR ANY PURPOSE OR USED FOR ANY PURPOSE WITHOUT THE WRITTEN CONSENT OF NEXUS.

F	REMOVE SHIELD CLAMP CHG 2.38 TO 2.47	120	1/13 2012	HR	DWN.BY <b>LDE</b>	DATE 29-Jul-10	MATERIAL
E	CHG 1 PART; ADD 2 PARTS	114	10/18 2011	HR	CHECKED BY	DATE	FINISH
D	CHG 2 PARTS	105	4/19 2011	HR	APPR.BY	DATE	WEIGHT — SCALE = 2.00 :1
C	ADD DESCRIPTION (MAT'L)		08/18 2010	LDE	UNLESS OTHERWISE SPECIFIED: DIMENSIONS ARE IN INCHES &/OR (mm) TOLERANCES: DECIMAL: .XX[X.X] .XXX[X.XX] ± .01[0.3] ± .003[0.08] FRACTION: X/X ± 1/64 ANGLES: X ± .5°		<b>NEXUS</b> STAMFORD, CONN
B	ADD STAY CORD HLDR		08/06 2010	LDE			
A	RELEASE		07/29 2010	LDE	DO NOT SCALE DWG.		DWG. NO. <b>ADP-06</b>
LET.	REVISION	CN #	DATE	CHK.	SHEET 1 OF 1		

## X-ON Electronics

Largest Supplier of Electrical and Electronic Components

*Click to view similar products for [Phone Connectors](#) category:*

*Click to view products by [Amphenol](#) manufacturer:*

Other Similar products are found below :

[M444B](#) [6J1041A](#) [R4F](#) [E12BPKG](#) [ECP4PKG](#) [161-3502L-E](#) [MT333X](#) [171-0350-EX](#) [171-101A-EX](#) [171-3325-EX](#) [176S](#) [NC3MG-V](#)  
[NYS228G](#) [P10834](#) [P2380](#) [P2381X](#) [P2411X](#) [P2412](#) [P2724](#) [JM2PB-AU BULK](#) [9144](#) [S2674](#) [280L](#) [163-156N-2-E](#) [163-158N-2-E](#) [171-3308-](#)  
[EX](#) [171-3500-E](#) [2501FT](#) [CMT335](#) [M10662](#) [330Q](#) [RJ5VI-S](#) [40116](#) [TM1R-AU](#) [TM2PBMJ-AU](#) [TM2PJ-AU](#) [TM2PJ-AU BULK](#) [4803.1351](#)  
[49201](#) [49205](#) [TS3PBJ-AU](#) [TS3PBMJ-AU](#) [TT32BX](#) [54B](#) [40112](#) [40205](#) [XMT332B](#) [52170017-331](#) [570](#) [NM3](#)