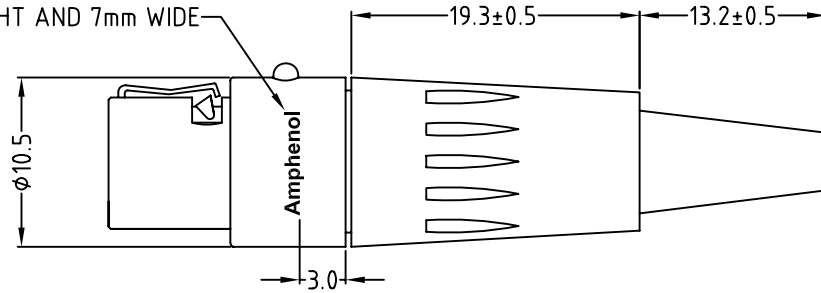
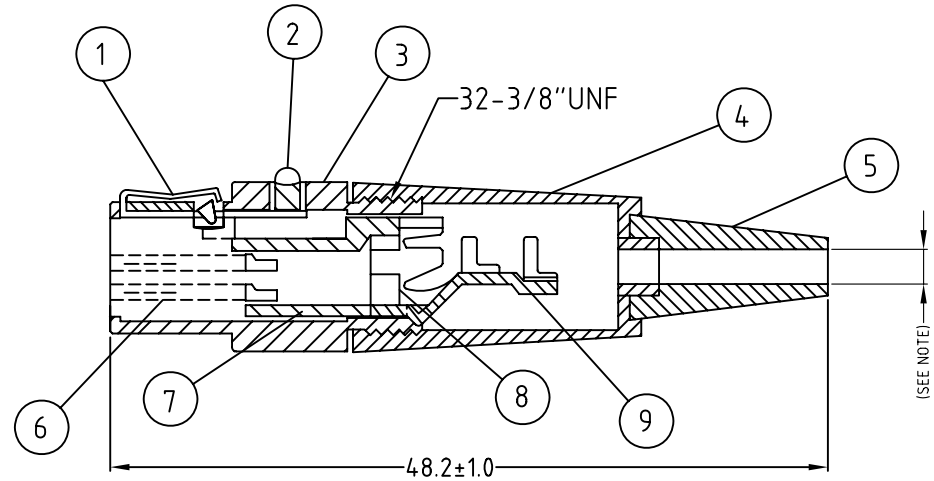


Amphenol LOGO TO BE ARIAL BOLD
IN 2mm HEIGHT AND 7mm WIDE



No. CONTACT	PART No.	CABLE ENTRY (mm)
3 POLE	AG3F	3.5 DIAM GROMMET
4 POLE	AG4F	3.5 DIAM GROMMET
5 POLE	AG5F	3.5 DIAM GROMMET
6 POLE	AG6F	3.5 DIAM GROMMET



A-A SECTION

NOTE: SEE TABLE FOR STANDARD CABLE ENTRY. CONTACT FACTORY FOR ALTERNATIVE

ITEM	MATERIAL
1	SUS(AISI-301)
2	ABS-BLACK
3	BRASS-NICKEL PLATED
4	ABS-BLACK
5	PVC-BLACK
6	PHOSPHOR BRONZE-GOLD PLATED
7	PPS-BLACK
8	ABS-BLACK
9	BRONZE-NICKEL PLATED

UNLESS OTHERWISE SPECIFIED TOLERANCE TO BE		THIS DOCUMENT IS THE PROPERTY OF AMPHENOL AUSTRALIA PTY. LTD.. NO PART THEREOF MAY BE REPRODUCED AND USED WITHOUT THE PRIOR WRITTEN CONSENT OF THE OWNER				2	ADD AMPHENOL LOGO TO THE SHELL PREVIOUSLY NO LOGO	M.H	23-08-11	9044
LINEAR	ANGULAR	CAD FILE: 55010459000112	DRN: M.N.H	DATE: 15-06-07	TITLE:	1	CHANGE PART NUMBER FROM ENGINEERING 55010459-000 TO CATALOGUE AG3F	M.H	19-01-09	----
X ± 0.5	X° ± 1°	MATL: SEE NOTES	CKD: M.H	DATE: 23-08-11	MINI XLR LINE FEMALE CUSTOMER DRAWING	0	FIRST ISSUE	M.N.H	15-06-07	----
X.X ± 0.1	X°X' ± 30'	FINISH: SEE NOTES	APP'D: P.M	DATE: 23-08-11		REV.	CHANGE DETAILS	BY	DATE	CHG/No
X.XX ± 0.05	X°X'X" ± 15'	DO NOT SCALE	SCALE: NTS	PART No: REFER TO CHART	SIZE: A4	Amphenol		20 Industry Boulevard, Carrumdowns, Vic 3201		SHEET
DIMENSIONS IN MILLIMETRES		THIRD ANGLE PROJECTION		DRAWING NO. 55010459-000-1		1 OF 1				

X-ON Electronics

Largest Supplier of Electrical and Electronic Components

Click to view similar products for [XLR Connectors](#) category:

Click to view products by [Amphenol](#) manufacturer:

Other Similar products are found below :

[707-0300](#) [8800235](#) [91101181024](#) [PPCB-H](#) [A3F01](#) [A3M01](#) [QGP3F](#) [HA16PRQ-3SE\(71\)](#) [AA3FL](#) [AAA4FWZ](#) [AAA4MWZ](#) [AC3-MIC](#) [AC4-MIC](#) [AC5FPZB](#) [AC6AFDZV](#) [D4FB](#) [DE4MW](#) [DHNFBAG](#) [E3MBAUSW](#) [NA2FP-UW](#) [NA3MP-UW](#) [NC3FBHR1-0](#) [NC3FD-H-0](#) [NC3FK-V](#) [NC3FXY-B](#) [NC3MK-V](#) [NC3MXY](#) [NC5FX-HD-B](#) [NC6MSX-BAG](#) [91210071096](#) [SL05](#) [99.265.0400.0](#) [A3F04](#) [AC3FG](#) [AC4-FCP](#) [AC4FPZ](#) [AQG4F](#) [2504FP](#) [30-498-2](#) [R6MZ](#) [3FD-H-I](#) [3FD-H-I-\(0\)](#) [3FD-H-I-B](#) [3FD-V-I](#) [3FD-V-I-\(0\)](#) [3FD-V-I-B](#) [3MD-H-I-B](#) [3MD-V-I](#) [3MD-V-I-B](#) [TA01](#)