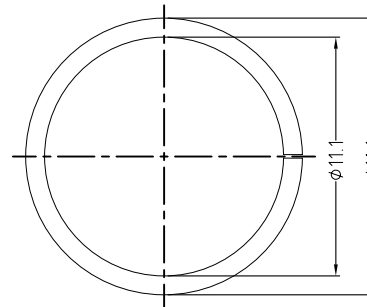
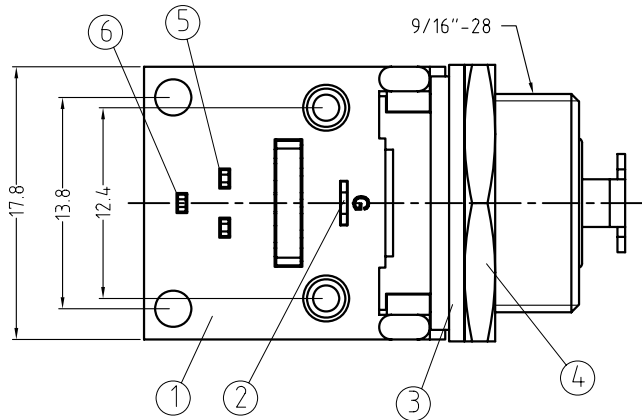
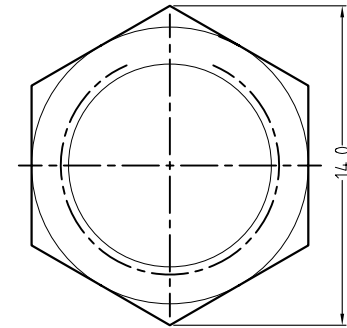
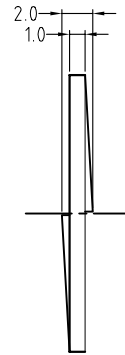


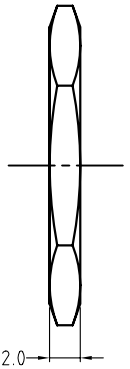
PCB LAYOUT



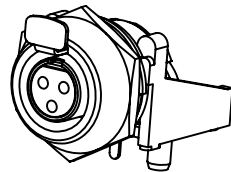
SPRING WASHER



METAL NUT



DESCRIPTION	MATERIAL & FINISH	QTY
15 PUSH LEVEL	Brass/Ni Plated	1
14 INSULATOR	PPS/Black	1
13 METAL SHELL	Brass/Ni Plated	1
12 SOCKET CONTACTS	Brass/Au Plated	4
11 CIRCUIT BOARD	FIBER GRASS	1
10 INSULATOR	PPS/Black	1
9 SPRING	SUS 304/Ni Plated	1
8 LATCH SPRING	SUS 304/Ni Plated	1
7 MACHINED SHELL	Brass/Ni Plated	1
6 CONTACTS	Brass/Au Plated	2
5 CONTACTS	Brass/Au Plated	2
4 METAL NUT	Brass/Ni Plated	1
3 SPRING WASHER	SUS 304/Ni Plated	1
2 GROUND CONTACT	Brass/Ni Plated	1
1 SUPPORT	PA6/Black	1



ISO VIEW
(SCALE 1:1)

Notes:
1. Part must conform to RoHS compliance
2. Plastic parts conform to UL94 V-0 compliant.

Specification: Electrical
Contact Resistance: <0.03 ohm
Insulation Resistance: >500Megaohm
Dielectric Strength: 1000VDC
Rated Current: 5A

Mechanical
Mating: >5000 cycles
Insertion/withdrawal Force: >10N & <30N.

UNLESS OTHERWISE SPECIFIED TOLERANCE TO BE		THIS DOCUMENT IS THE PROPERTY OF AMPHENOL AUSTRALIA PTY. LTD.. NO PART THEREOF MAY BE REPRODUCED AND USED WITHOUT THE PRIOR WRITTEN CONSENT OF THE OWNER				0	FIRST ISSUE	MH	04-10-12	----
LINEAR	ANGULAR	REV.	CHANGE DETAILS	BY	DATE	CHG/No				
X ± 0.50 X,X ± 0.25 X,XX ± 0.10	X° ± 1° X°X' ± 30' X°X'X" ± 15"	CAD FILE: 55010859000110	DRN: MH	DATE: 04-10-12	TITLE: MINI XLR 3 SKT FEMALE PANEL MOUNT RA PCB CUSTOMER DRAWING			Amphenol Australia Pty.Ltd, 2 Freeways Blvd, Keysborough, Vic.3173 DRAWING NO. 55010859-000-1 SHEET 1 OF 1		
BREAK ALL SHARP EDGES AND REMOVE ALL BURRS		MATL: SEE NOTES	CKD: MH	DATE: 04-10-12						
DO NOT SCALE		FINISH: SEE NOTES	APP'D: PM	DATE: 04-10-12						
DIMENSIONS IN MILLIMETRES		THRD ANGLE PROJECTION		SCALE: 2 : 1	PART No: AG3FCCH	SIZE: A4				

X-ON Electronics

Largest Supplier of Electrical and Electronic Components

Click to view similar products for [XLR Connectors](#) category:

Click to view products by [Amphenol](#) manufacturer:

Other Similar products are found below :

[707-0300](#) [8800235](#) [91101181024](#) [PPCB-H](#) [A3F01](#) [A3M01](#) [QGP3F](#) [HA16PRQ-3SE\(71\)](#) [AA3FL](#) [AAA4FWZ](#) [AAA4MWZ](#) [AC3-MIC](#) [AC4-MIC](#) [AC5FPZB](#) [AC6AFDZV](#) [D4FB](#) [DE4MW](#) [DHNFBAG](#) [E3MBAUSW](#) [NA2FP-UW](#) [NA3MP-UW](#) [NC3FBHR1-0](#) [NC3FD-H-0](#) [NC3FK-V](#) [NC3FXY-B](#) [NC3MK-V](#) [NC3MXY](#) [NC5FX-HD-B](#) [NC6MSX-BAG](#) [91210071096](#) [SL05](#) [99.265.0400.0](#) [A3F04](#) [AC3FG](#) [AC4-FCP](#) [AC4FPZ](#) [AQG4F](#) [2504FP](#) [30-498-2](#) [R6MZ](#) [3FD-H-I](#) [3FD-H-I-\(0\)](#) [3FD-H-I-B](#) [3FD-V-I](#) [3FD-V-I-\(0\)](#) [3FD-V-I-B](#) [3MD-H-I-B](#) [3MD-V-I](#) [3MD-V-I-B](#) [TA01](#)