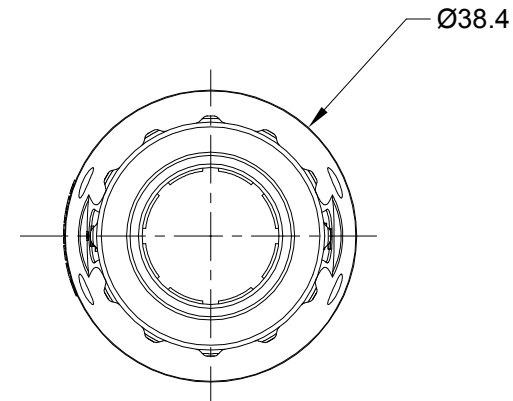
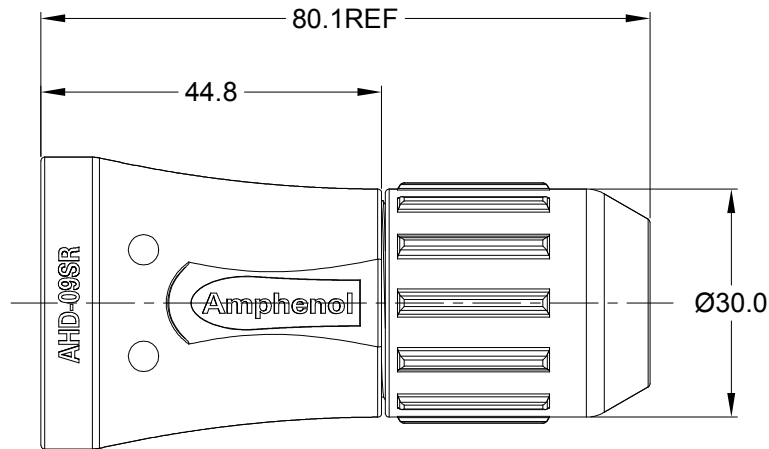
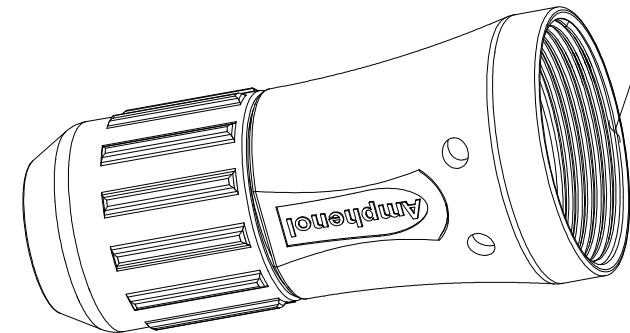


## REVISIONS

| REV | ECO | DESCRIPTION         | DATE    | BY    | APPR  |
|-----|-----|---------------------|---------|-------|-------|
| A1  | -   | RELEASE NEW PRODUCT | 31AUG18 | JONY  | TOMMY |
| A2  | -   | CHANGE LOGO         | 19NOV18 | BROOK | TOMMY |




1.375-18 UNEF THREAD



## NOTES: UNLESS OTHERWISE SPECIFIED

1. MATERIAL: THERMOPLASTIC
2. COLORS: BLACK
3. RoHS COMPLIANT
4. USE WITH AHD 9 POS MODIFICATION
5. CABLE SIZE:  $\phi 14.5 \sim \phi 18.0$
6. ALL DIMENSIONS ARE FOR REFERENCE USE ONLY.

| AHD-09SR   |                | DESCRIPTION  |  | ITEM   |  |
|--|----------------|--|--|--|--|
| QUANTITY   | MATERIALS LIST |  |  |  |  |
| <b>UNLESS OTHERWISE SPECIFIED</b><br>1) All dimensions are in metric(mm).<br>2) Tolerances are as follows:<br>1 PL DEC $\pm 0.30$<br>2 PL DEC $\pm 0.15$<br>3 PL DEC $\pm 0.08$<br>Fractions $\pm 1/64$<br>Angles $\pm 1^\circ$<br>3) Note reference =  |                | <b>SIGNATURES</b><br>DRAWN: <b>BROOK.DING</b><br>CHECKED: <b>ORION.LI</b><br>ENGINEER:<br>APPROVAL: <b>TOMMY.XIE</b><br>CUSTOMER:  |  | <b>DATE</b><br>19NOV18<br>19NOV18<br>19NOV18 |  |
| MATERIAL SPECIFICATIONS:   |                | <div style="text-align: center;"> <h1>Amphenol</h1> <p>Sine Systems - www.amphenol-sine.com<br/>44724 Morley Drive<br/>Clinton Township, MI 48036</p> </div>   |  |  |  |
| PROCESS SPECIFICATIONS:  |                |  |  |  |  |
| NEXT ASSY:   |                | THIS DRAWING IS SUPPLIED FOR INFORMATION ONLY. DESIGN FEATURES, SPECIFICATIONS AND PERFORMANCE DATA SHOWN HEREON ARE THE PROPERTY OF THE AMPHENOL CORPORATION. NO RIGHTS OF REPRODUCTION ARE IMPLIED. ALL DIMENSIONS ARE SUBJECT TO NORMAL MANUFACTURING VARIATIONS. |  | <b>SIZE</b><br><b>A</b>                      |  |
|  |                | <b>TYPE</b><br><b>C-</b>   |  | <b>DWG NO:</b><br><b>AHD-09SR</b>            |  |
|  |                | <b>SCALE:</b><br>NONE  |  | <b>REVISION</b><br><b>A2</b>                 |  |
|  |                |  |  | SHEET 1 OF 1                                 |  |

## X-ON Electronics

Largest Supplier of Electrical and Electronic Components

*Click to view similar products for [Automotive Connectors](#) category:*

*Click to view products by [Amphenol](#) manufacturer:*

Other Similar products are found below :

[003-018-000](#) [60403001](#) [60993906-B](#) [M902-2131](#) [M902-2161](#) [72.330.1035.1](#) [73.353.4028.0](#) [F119300-B](#) [F166900](#) [F258300-B](#) [F358300-B](#)  
[F407400](#) [F444110](#) [F487000](#) [F509500B-B](#) [827153-1](#) [8N1515-32-24P](#) [9-1326729-8](#) [925474-1](#) [928905-1](#) [964562-4](#) [968782-1](#) [GT17SA-8DS-](#)  
[HU](#) [98891-1012](#) [98947-1016](#) [12004475-L](#) [12010290](#) [12010309-B](#) [12015454](#) [12020219-B](#) [12020308](#) [12041318-B](#) [12052225-L](#) [12052466](#)  
[12059125](#) [12064869](#) [12004327-B](#) [12010503-B](#) [12015308](#) [12015384](#) [12015909](#) [1-21030-1](#) [12041254](#) [12041318](#) [12047946-B](#) [12047957](#)  
[12047957-L](#) [12059473](#) [12066261](#) [12110546](#)