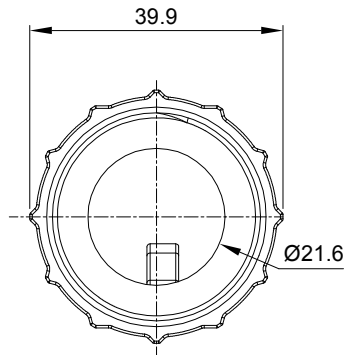
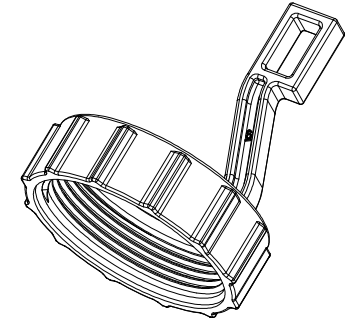
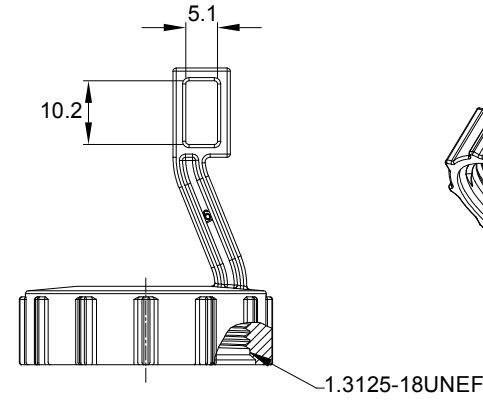
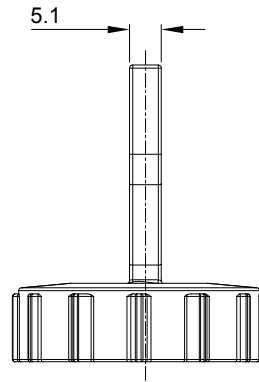
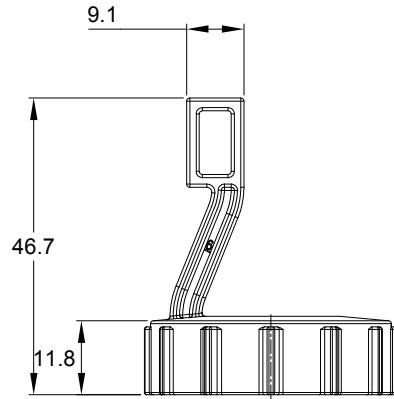


| REVISIONS | | | | | |
|-----------|--------|--|---------|-------|-------|
| REV | ECO | DESCRIPTION | DATE | BY | APPR |
| A1 | - | RELEASE NEW DRAWING | 15JUN18 | RIMON | TOMMY |
| A2 | C0964S | INCREASE ROUND CORNER OF ARM, ADD COLOURS AND CHANGE THE MATERIAL. | 19DEC18 | PETER | TOMMY |



NOTES: UNLESS OTHERWISE SPECIFIED

1. MATERIAL: THERMOPLASTIC; COLOR: GREY
2. COMPATIBLE WITH AHD 6 POSITION.
3. RoHS COMPLIANT.
4. ALL DIMENSIONS ARE FOR REFERENCE USE ONLY.

TITLE:

STRAIN RELIEF AHD 6 PIN TY-RAP

DWG NO.:

AHD18-006

REV/ A2

SH: 1

OF: 1

| AHD18-006 | | DESCRIPTION | | ITEM |
|--------------------------------------|-----------------------|--|-------------|--|
| PART NUMBER | | | | |
| QUANTITY | MATERIALS LIST | | | |
| UNLESS OTHERWISE SPECIFIED: | | SIGNATURES | DATE | <p>Amphenol</p> <p>Sine Systems - www.amphenol-sine.com 44724 Morley Drive Clinton Township, MI 48036</p> <p>STRAIN RELIEF AHD 6 PIN TY-RAP</p> |
| 1) All dimensions are in metric(mm). | | DRAWN: PETER | 19DEC18 | |
| 2) Tolerances are as follows: | | CHECKED: ORIONLI | 19DEC18 | |
| 1 PL DEC ±0.30 Fractions ±1/64 | | ENGINEER: | | |
| 2 PL DEC ±0.15 Angles ±1° | | APPROVAL: TOMMY.XIE | 19DEC18 | |
| 3) Note reference = | | CUSTOMER: | | |
| MATERIAL SPECIFICATIONS: | | THIS DRAWING IS SUPPLIED FOR INFORMATION ONLY. DESIGN FEATURES, SPECIFICATIONS AND PERFORMANCE DATA SHOWN HEREON ARE THE PROPERTY OF THE AMPHENOL CORPORATION. NO RIGHTS OF REPRODUCTION ARE IMPLIED. ALL DIMENSIONS ARE SUBJECT TO NORMAL MANUFACTURING VARIATIONS. | | |
| PROCESS SPECIFICATIONS: | | SIZE: B | TYPE: C- | DWG NO: AHD18-006 |
| NEXT ASSY: | | SCALE: NONE | | REVISION: A2 |
| | | | | SHEET 1 OF 1 |

X-ON Electronics

Largest Supplier of Electrical and Electronic Components

Click to view similar products for [Automotive Connectors](#) category:

Click to view products by [Amphenol](#) manufacturer:

Other Similar products are found below :

[003-018-000](#) [60403001](#) [60993906-B](#) [M902-2131](#) [M902-2161](#) [72.330.1035.1](#) [73.353.4028.0](#) [F119300-B](#) [F166900](#) [F258300-B](#) [F358300-B](#)
[F407400](#) [F444110](#) [F487000](#) [F509500B-B](#) [827153-1](#) [8N1515-32-24P](#) [9-1326729-8](#) [925474-1](#) [928905-1](#) [964562-4](#) [968782-1](#) [GT17SA-8DS-](#)
[HU](#) [98891-1012](#) [98947-1016](#) [12004475-L](#) [12010290](#) [12010309-B](#) [12015454](#) [12020219-B](#) [12020308](#) [12041318-B](#) [12052225-L](#) [12052466](#)
[12059125](#) [12064869](#) [12004327-B](#) [12010503-B](#) [12015308](#) [12015384](#) [12015909](#) [1-21030-1](#) [12041254](#) [12041318](#) [12047946-B](#) [12047957](#)
[12047957-L](#) [12059473](#) [12066261](#) [12110546](#)