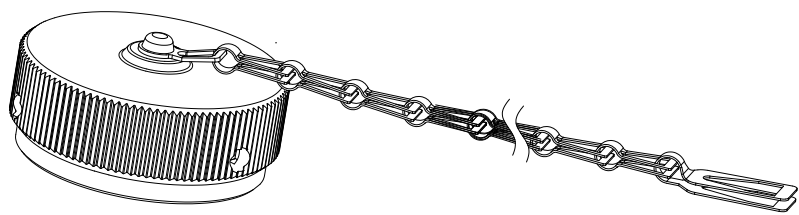
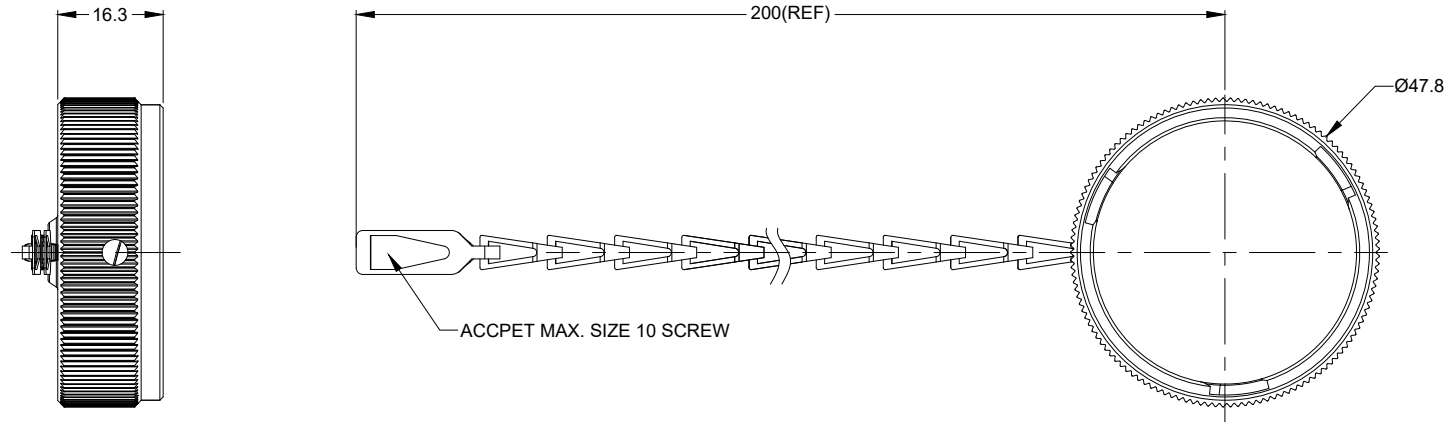


REVISIONS					
REV	ECO	DESCRIPTION	DATE	BY	APPR
A1	--	RELEASE NEW DRAWING	16/OCT/18	ROOKIE	TOMMY



NOTES: UNLESS OTHERWISE SPECIFIED

- MATERIAL:
SHELL: ALUMINUM ALLOY, NICKEL PLATED;
CHAIN: STAINLESS STEEL;
SEAL: SILICONE RUBBER.
- MATE WITH AHDM SERIES SIZE 24 RECEPTACLE (AHDM04-24-**** ,
* = ALL MODIFICATION) .
- IP CLASS : IP67&IP69K (MATED CONDITION) .
- RoHS COMPLIANT.
- ALL DIMENSIONS ARE FOR REFERENCE USE ONLY.

TITLE: PROTECTIVE CAP FOR RECEPTACLE,AHDM,SIZE 24
DWG NO: AHDC36-24
REV: A1
SH: 1
OF: 1

AHDC36-24		DESCRIPTION		ITEM																																								
PART NUMBER		DESCRIPTION		ITEM																																								
<table border="1"> <thead> <tr> <th>QUANTITY</th> <th colspan="4">MATERIALS LIST</th> </tr> </thead> <tbody> <tr> <td>UNLESS OTHERWISE SPECIFIED: 1) All dimensions are in metric(mm). 2) Tolerances are as follows: 1 PL DEC ±0.30 2 PL DEC ±0.15 3 PL DEC ±0.08</td> <td>SIGNATURES</td> <td>DATE</td> <td colspan="2" rowspan="4"> <p style="text-align: center;">Amphenol</p> <p style="text-align: center;">Sine Systems - www.amphenol-sine.com 44724 Morley Drive Clinton Township, MI 48036</p> <p style="text-align: center;">PROTECTIVE CAP FOR RECEPTACLE,AHDM,SIZE 24</p> </td> </tr> <tr> <td>CHECKED: ORION</td> <td>ROOKIE</td> <td>16/OCT/18</td> </tr> <tr> <td>ENGINEER:</td> <td></td> <td>16/OCT/18</td> </tr> <tr> <td>APPROVAL: TOMMY</td> <td></td> <td>16/OCT/18</td> </tr> <tr> <td>MATERIAL SPECIFICATIONS:</td> <td colspan="2">CUSTOMER:</td> <td colspan="2" rowspan="3"> <table border="1"> <tr> <td>SIZE</td> <td>TYPE</td> <td>DWG NO:</td> <td>REVISION</td> </tr> <tr> <td>B</td> <td>C-</td> <td>AHDC36-24</td> <td>A1</td> </tr> </table> </td> </tr> <tr> <td>PROCESS SPECIFICATIONS:</td> <td colspan="2">THIS DRAWING IS SUPPLIED FOR INFORMATION ONLY. DESIGN FEATURES, SPECIFICATIONS AND PERFORMANCE DATA SHOWN HEREON ARE THE PROPERTY OF THE AMPHENOL CORPORATION. NO RIGHTS OF REPRODUCTION ARE IMPLIED. ALL DIMENSIONS ARE SUBJECT TO NORMAL MANUFACTURING VARIATIONS.</td> <td>SCALE: NONE</td> </tr> <tr> <td>NEXT ASSY:</td> <td colspan="2"></td> <td>SHEET 1 OF 1</td> </tr> </tbody> </table>					QUANTITY	MATERIALS LIST				UNLESS OTHERWISE SPECIFIED: 1) All dimensions are in metric(mm). 2) Tolerances are as follows: 1 PL DEC ±0.30 2 PL DEC ±0.15 3 PL DEC ±0.08	SIGNATURES	DATE	<p style="text-align: center;">Amphenol</p> <p style="text-align: center;">Sine Systems - www.amphenol-sine.com 44724 Morley Drive Clinton Township, MI 48036</p> <p style="text-align: center;">PROTECTIVE CAP FOR RECEPTACLE,AHDM,SIZE 24</p>		CHECKED: ORION	ROOKIE	16/OCT/18	ENGINEER:		16/OCT/18	APPROVAL: TOMMY		16/OCT/18	MATERIAL SPECIFICATIONS:	CUSTOMER:		<table border="1"> <tr> <td>SIZE</td> <td>TYPE</td> <td>DWG NO:</td> <td>REVISION</td> </tr> <tr> <td>B</td> <td>C-</td> <td>AHDC36-24</td> <td>A1</td> </tr> </table>		SIZE	TYPE	DWG NO:	REVISION	B	C-	AHDC36-24	A1	PROCESS SPECIFICATIONS:	THIS DRAWING IS SUPPLIED FOR INFORMATION ONLY. DESIGN FEATURES, SPECIFICATIONS AND PERFORMANCE DATA SHOWN HEREON ARE THE PROPERTY OF THE AMPHENOL CORPORATION. NO RIGHTS OF REPRODUCTION ARE IMPLIED. ALL DIMENSIONS ARE SUBJECT TO NORMAL MANUFACTURING VARIATIONS.		SCALE: NONE	NEXT ASSY:			SHEET 1 OF 1
QUANTITY	MATERIALS LIST																																											
UNLESS OTHERWISE SPECIFIED: 1) All dimensions are in metric(mm). 2) Tolerances are as follows: 1 PL DEC ±0.30 2 PL DEC ±0.15 3 PL DEC ±0.08	SIGNATURES	DATE	<p style="text-align: center;">Amphenol</p> <p style="text-align: center;">Sine Systems - www.amphenol-sine.com 44724 Morley Drive Clinton Township, MI 48036</p> <p style="text-align: center;">PROTECTIVE CAP FOR RECEPTACLE,AHDM,SIZE 24</p>																																									
CHECKED: ORION	ROOKIE	16/OCT/18																																										
ENGINEER:		16/OCT/18																																										
APPROVAL: TOMMY		16/OCT/18																																										
MATERIAL SPECIFICATIONS:	CUSTOMER:		<table border="1"> <tr> <td>SIZE</td> <td>TYPE</td> <td>DWG NO:</td> <td>REVISION</td> </tr> <tr> <td>B</td> <td>C-</td> <td>AHDC36-24</td> <td>A1</td> </tr> </table>		SIZE	TYPE	DWG NO:	REVISION	B	C-	AHDC36-24	A1																																
SIZE	TYPE	DWG NO:			REVISION																																							
B	C-	AHDC36-24			A1																																							
PROCESS SPECIFICATIONS:	THIS DRAWING IS SUPPLIED FOR INFORMATION ONLY. DESIGN FEATURES, SPECIFICATIONS AND PERFORMANCE DATA SHOWN HEREON ARE THE PROPERTY OF THE AMPHENOL CORPORATION. NO RIGHTS OF REPRODUCTION ARE IMPLIED. ALL DIMENSIONS ARE SUBJECT TO NORMAL MANUFACTURING VARIATIONS.		SCALE: NONE																																									
NEXT ASSY:			SHEET 1 OF 1																																									

X-ON Electronics

Largest Supplier of Electrical and Electronic Components

Click to view similar products for [Automotive Connectors](#) category:

Click to view products by [Amphenol](#) manufacturer:

Other Similar products are found below :

[003-018-000](#) [60403001](#) [60993906-B](#) [M902-2131](#) [M902-2161](#) [72.330.1035.1](#) [73.353.4028.0](#) [F119300-B](#) [F166900](#) [F258300-B](#) [F358300-B](#)
[F407400](#) [F444110](#) [F487000](#) [F509500B-B](#) [827153-1](#) [8N1515-32-24P](#) [9-1326729-8](#) [925474-1](#) [928905-1](#) [964562-4](#) [968782-1](#) [GT17SA-8DS-](#)
[HU](#) [98891-1012](#) [98947-1016](#) [12004475-L](#) [12010290](#) [12010309-B](#) [12015454](#) [12020219-B](#) [12020308](#) [12041318-B](#) [12052225-L](#) [12052466](#)
[12059125](#) [12064869](#) [12004327-B](#) [12010503-B](#) [12015308](#) [12015384](#) [12015909](#) [1-21030-1](#) [12041254](#) [12041318](#) [12047946-B](#) [12047957](#)
[12047957-L](#) [12059473](#) [12066261](#) [12110546](#)