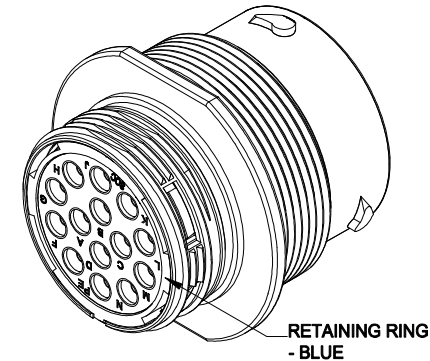
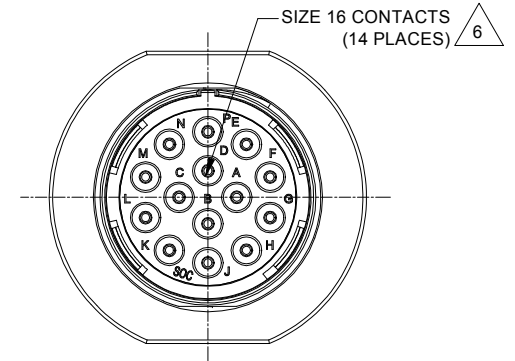
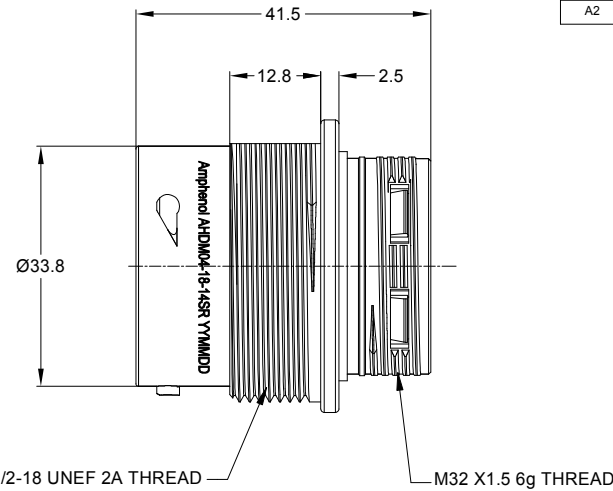
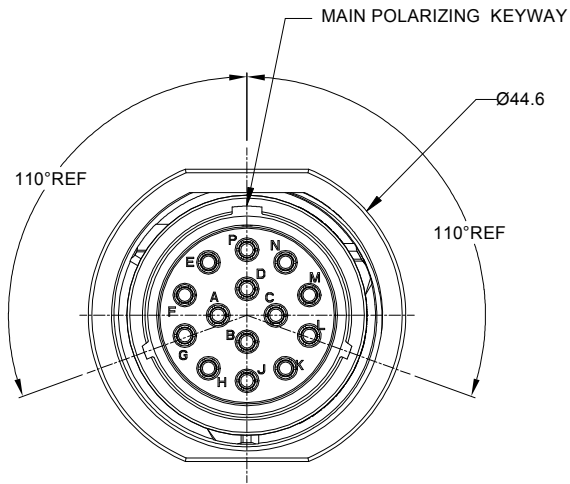
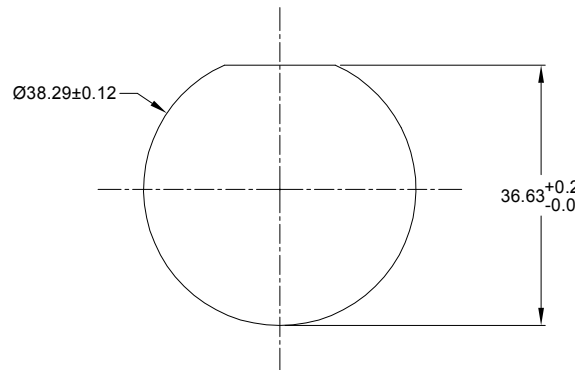


| REVISIONS |     |                         |           |        |       |
|-----------|-----|-------------------------|-----------|--------|-------|
| REV       | ECO | DESCRIPTION             | DATE      | BY     | APPR  |
| A1        | -   | RELEASE NEW DRAWING     | 17/OCT/18 | BROOK  | TOMMY |
| A2        | -   | ADD MORE MATERIAL NOTES | 24/OCT/18 | ROOKIE | TOMMY |



**NOTES: UNLESS OTHERWISE SPECIFIED**

- MATERIAL:**  
SHELL: ZINC ALLOY, NICKEL PLATED  
INSERT AND RETAINING RING: THERMOPLASTIC  
SEAL: SILICONE RUBBER
- MODIFICATIONS:** THREADED HOUSING; REDUCED DIA. SEAL
- SPECIFICATIONS:**
  - OPERATING TEMPERATURE: -55°C TO +125°C.
  - DIELECTRIC WITHSTANDING VOLTAGE: LESS THAN 2 MILLIAMPS CURRENT LEAKAGE @ 1500 VOLTS AC.
  - INSULATION RESISTANCE: 1000 MEGOHM MIN @ 25°C.
  - MOISTURE RESISTANCE: IP67&IP69K ( MATED CONDITION ).
  - MATING CYCLE DURABILITY: 100 CYCLES
  - RoHS COMPLIANT
- MATING PART:** AHDM06-18-14P\* (\* = SEAL TYPE)
- ALL DIMENSIONS ARE FOR REFERENCE USE ONLY.**



RECOMMENDED PANEL MOUNTING HOLE  
RECOMMENDED PANEL THICKNESS: 1.6 TO 4.7MM

**6. CONTACT SIZE AND WIRE RANGE:**

| CONTACT SIZE | MIN. INSUL O.D.  | MAX. INSUL O.D.   | TYPICAL WIRE RANGE | CURRENT RATING |
|--------------|------------------|-------------------|--------------------|----------------|
| 16           | 1.35 mm (.053in) | 3.05 mm (.120 in) | 14-20 AWG          | 13 AMPS        |

| AHDM04-18-14SR   |             | DESCRIPTION  |  | ITEM                |
|--|-------------|--|--|---------------------|
| QUANTITY   | PART NUMBER | MATERIALS LIST   |  |                     |
| <b>UNLESS OTHERWISE SPECIFIED</b><br>1) All dimensions are in metric (mm).<br>2) Tolerances are as follows:<br>1 PL DEC ±0.30<br>2 PL DEC ±0.15<br>3 PL DEC ±0.08<br>Fractions ±1/64<br>Angles ±1° |             |  |  |                     |
| <b>SIGNATURES</b><br>DRAWN: ROOKIE<br>CHECKED: ORION<br>APPROVAL: TOMMY  |             | <b>DATE</b><br>24/OCT/18<br>24/OCT/18<br>24/OCT/18   |  |                     |
| <b>MATERIAL SPECIFICATIONS:</b>  |             | <b>CUSTOMER:</b>   |  |                     |
| <b>PROCESS SPECIFICATIONS:</b>   |             | THIS DRAWING IS SUPPLIED FOR INFORMATION ONLY. DESIGN FEATURES, SPECIFICATIONS AND PERFORMANCE DATA SHOWN HEREON ARE THE PROPERTY OF THE AMPHENOL CORPORATION. NO RIGHTS OF REPRODUCTION ARE IMPLIED. ALL DIMENSIONS ARE SUBJECT TO NORMAL MANUFACTURING VARIATIONS. |  |                     |
| <b>NEXT ASSY:</b>  |             | <b>SCALE:</b> NONE   |  |                     |
| <b>SIZE:</b> B C-  |             | <b>DWG NO.:</b> AHDM04-18-14SR   |  | <b>REVISION:</b> A2 |
| <b>SCALE:</b> NONE   |             | <b>RECPT, 18 SZ 14 SOC, RD, WIDE THD</b>   |  | SHEET 1 OF 1        |

TITLE: RECPT, 18 SZ 14 SOC, RD, WIDE THD  
DWG NO.: AHDM04-18-14SR  
REV: A2  
SH: 1  
OF: 1

## X-ON Electronics

Largest Supplier of Electrical and Electronic Components

*Click to view similar products for [Automotive Connectors](#) category:*

*Click to view products by [Amphenol](#) manufacturer:*

Other Similar products are found below :

[003-018-000](#) [60403001](#) [60993906-B](#) [M902-2131](#) [M902-2161](#) [72.330.1035.1](#) [73.353.4028.0](#) [F119300-B](#) [F166900](#) [F258300-B](#) [F358300-B](#)  
[F407400](#) [F444110](#) [F487000](#) [F509500B-B](#) [827153-1](#) [8N1515-32-24P](#) [9-1326729-8](#) [925474-1](#) [928905-1](#) [964562-4](#) [968782-1](#) [GT17SA-8DS-](#)  
[HU](#) [98891-1012](#) [98947-1016](#) [12004475-L](#) [12010290](#) [12010309-B](#) [12015454](#) [12020219-B](#) [12020308](#) [12041318-B](#) [12052225-L](#) [12052466](#)  
[12059125](#) [12064869](#) [12004327-B](#) [12010503-B](#) [12015308](#) [12015384](#) [12015909](#) [1-21030-1](#) [12041254](#) [12041318](#) [12047946-B](#) [12047957](#)  
[12047957-L](#) [12059473](#) [12066261](#) [12110546](#)