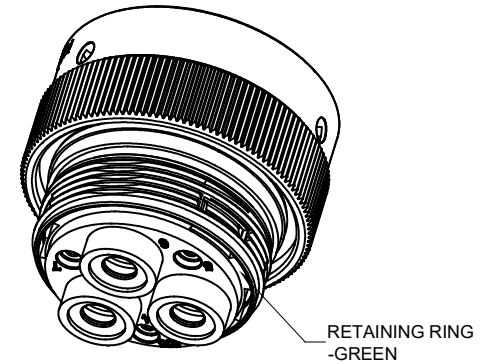
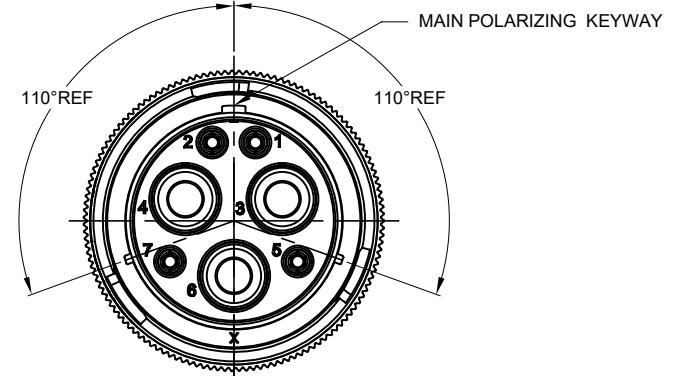
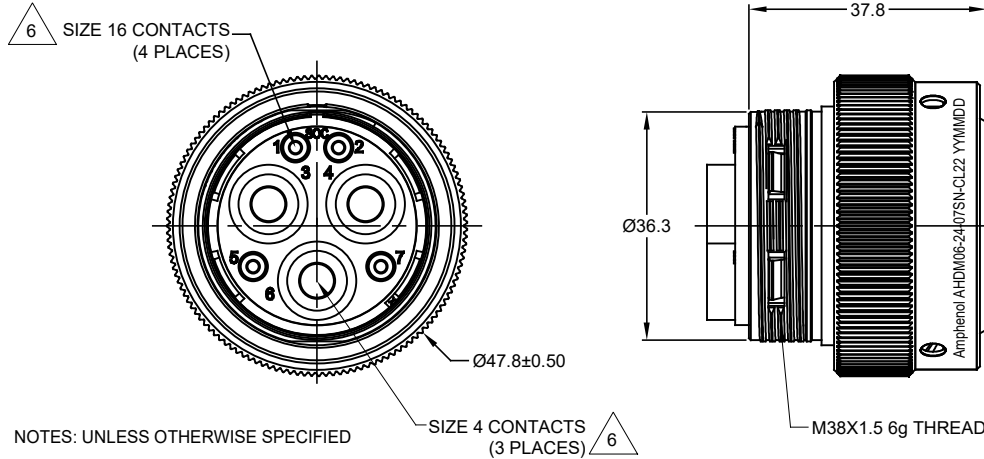


REVISIONS					
REV	ECO	DESCRIPTION	DATE	BY	APPR
A1	--	RELEASE NEW DRAWING	17/DEC/19	PETER	TOMMY



NOTES: UNLESS OTHERWISE SPECIFIED

1. MATERIAL:
  - SHELL: ZINC ALLOY, NICKEL PLATED
  - COUPLING RING: ALUMINUM ALLOY, NICKEL PLATED
  - INSERT AND RETAINING RING: THERMOPLASTIC
  - SEAL: SILICONE RUBBER
2. MODIFICATIONS: THREADED HOUSING; NORMAL DIA. SEAL
3. SPECIFICATIONS:
  - 3.1 OPERATING TEMPERATURE: -55°C TO +125°C.
  - 3.2 OPERATING VOLTAGE: 250 VOLTS AC/DC
  - 3.3 DIELECTRIC WITHSTANDING VOLTAGE: LESS THAN 2 MILLIAMPS CURRENT LEAKAGE @ 3000 VOLTS AC.
  - 3.4 INSULATION RESISTANCE: 1000 MEGOHM MIN @ 25°C.
  - 3.5 MOISTURE RESISTANCE: IP67&IP69K ( MATED CONDITION ).
  - 3.6 MATING CYCLE DURABILITY: 100 CYCLES
  - 3.7 RoHS COMPLIANT
4. MATING PART: AHDM04-24-07P\*-CL22 (\* = SEAL TYPE)
5. ALL DIMENSIONS ARE FOR REFERENCE USE ONLY.

6 CONTACT SIZE AND WIRE RANGE:

CONTACT SIZE	MIN. INSUL O.D.	MAX. INSUL O.D.	TYPICAL WIRE RANGE	CURRENT RATING
16	2.54 mm (.100 in)	3.40 mm (.134 in)	14-20 AWG (2.0 - 0.5mm <sup>2</sup> )	13 AMPS
4	7.90 mm (.311 in)	10.67 mm (.420 in)	4 AWG (25.0 - 21.0mm <sup>2</sup> )	100 AMPS

AHDM06-24-07SN-CL22		PART NUMBER		DESCRIPTION		ITEM																																																																																																												
<table border="1"> <thead> <tr> <th>QUANTITY</th> <th colspan="6">MATERIALS LIST</th> </tr> </thead> <tbody> <tr> <td colspan="7">UNLESS OTHERWISE SPECIFIED</td> </tr> <tr> <td colspan="7">1) All dimensions are in metric (mm).</td> </tr> <tr> <td colspan="7">2) Tolerances are as follows:</td> </tr> <tr> <td colspan="7">1 PL DEC ±0.30   Fractions ±1/64</td> </tr> <tr> <td colspan="7">2 PL DEC ±0.15   Angles ±1°</td> </tr> <tr> <td colspan="7">3 PL DEC ±0.08</td> </tr> <tr> <td colspan="7">3) Note reference = </td> </tr> <tr> <td colspan="2">SIGNATURES</td> <td colspan="2">DATE</td> <td colspan="3" rowspan="4"> <p style="text-align: center;"><b>Amphenol</b></p> <p style="text-align: center;">Sine Systems - www.amphenol-sine.com 44724 Morley Drive Clinton Township, MI 48036</p> </td> </tr> <tr> <td colspan="2">DRAWN: PETER YANG</td> <td colspan="2">17/DEC/19</td> </tr> <tr> <td colspan="2">CHECKED: ORION LI</td> <td colspan="2">17/DEC/19</td> </tr> <tr> <td colspan="2">ENGINEER:</td> <td colspan="2"></td> </tr> <tr> <td colspan="2">APPROVAL: TOMMY XIE</td> <td colspan="2">17/DEC/19</td> <td colspan="3" rowspan="2"> <p style="text-align: center;">DURAMATE PLUG, 7 POS, SOCKET CONTACTS SIZE 24, STD SEAL, WIDE THD, CL22</p> </td> </tr> <tr> <td colspan="2">MATERIAL SPECIFICATIONS:</td> <td colspan="2">CUSTOMER:</td> </tr> <tr> <td colspan="2">PROCESS SPECIFICATIONS:</td> <td colspan="2">THIS DRAWING IS SUPPLIED FOR INFORMATION ONLY. DESIGN FEATURES, SPECIFICATIONS AND PERFORMANCE DATA SHOWN HEREON ARE THE PROPERTY OF THE AMPHENOL CORPORATION. NO RIGHTS OF REPRODUCTION ARE IMPLIED. ALL DIMENSIONS ARE SUBJECT TO NORMAL MANUFACTURING VARIATIONS.</td> <td colspan="3"> <table border="1"> <thead> <tr> <th>SIZE</th> <th>TYPE</th> <th>DWG NO.</th> <th>REVISION</th> </tr> </thead> <tbody> <tr> <td>B</td> <td>C-</td> <td>AHDM06-24-07SN-CL22</td> <td>A1</td> </tr> </tbody> </table> </td> </tr> <tr> <td colspan="2">NEXT ASSY:</td> <td colspan="2">SCALE: NONE</td> <td colspan="3">SHEET 1 OF 1</td> </tr> </tbody> </table>							QUANTITY	MATERIALS LIST						UNLESS OTHERWISE SPECIFIED							1) All dimensions are in metric (mm).							2) Tolerances are as follows:							1 PL DEC ±0.30   Fractions ±1/64							2 PL DEC ±0.15   Angles ±1°							3 PL DEC ±0.08							3) Note reference =							SIGNATURES		DATE		<p style="text-align: center;"><b>Amphenol</b></p> <p style="text-align: center;">Sine Systems - www.amphenol-sine.com 44724 Morley Drive Clinton Township, MI 48036</p>			DRAWN: PETER YANG		17/DEC/19		CHECKED: ORION LI		17/DEC/19		ENGINEER:				APPROVAL: TOMMY XIE		17/DEC/19		<p style="text-align: center;">DURAMATE PLUG, 7 POS, SOCKET CONTACTS SIZE 24, STD SEAL, WIDE THD, CL22</p>			MATERIAL SPECIFICATIONS:		CUSTOMER:		PROCESS SPECIFICATIONS:		THIS DRAWING IS SUPPLIED FOR INFORMATION ONLY. DESIGN FEATURES, SPECIFICATIONS AND PERFORMANCE DATA SHOWN HEREON ARE THE PROPERTY OF THE AMPHENOL CORPORATION. NO RIGHTS OF REPRODUCTION ARE IMPLIED. ALL DIMENSIONS ARE SUBJECT TO NORMAL MANUFACTURING VARIATIONS.		<table border="1"> <thead> <tr> <th>SIZE</th> <th>TYPE</th> <th>DWG NO.</th> <th>REVISION</th> </tr> </thead> <tbody> <tr> <td>B</td> <td>C-</td> <td>AHDM06-24-07SN-CL22</td> <td>A1</td> </tr> </tbody> </table>			SIZE	TYPE	DWG NO.	REVISION	B	C-	AHDM06-24-07SN-CL22	A1	NEXT ASSY:		SCALE: NONE		SHEET 1 OF 1		
QUANTITY	MATERIALS LIST																																																																																																																	
UNLESS OTHERWISE SPECIFIED																																																																																																																		
1) All dimensions are in metric (mm).																																																																																																																		
2) Tolerances are as follows:																																																																																																																		
1 PL DEC ±0.30   Fractions ±1/64																																																																																																																		
2 PL DEC ±0.15   Angles ±1°																																																																																																																		
3 PL DEC ±0.08																																																																																																																		
3) Note reference =																																																																																																																		
SIGNATURES		DATE		<p style="text-align: center;"><b>Amphenol</b></p> <p style="text-align: center;">Sine Systems - www.amphenol-sine.com 44724 Morley Drive Clinton Township, MI 48036</p>																																																																																																														
DRAWN: PETER YANG		17/DEC/19																																																																																																																
CHECKED: ORION LI		17/DEC/19																																																																																																																
ENGINEER:																																																																																																																		
APPROVAL: TOMMY XIE		17/DEC/19		<p style="text-align: center;">DURAMATE PLUG, 7 POS, SOCKET CONTACTS SIZE 24, STD SEAL, WIDE THD, CL22</p>																																																																																																														
MATERIAL SPECIFICATIONS:		CUSTOMER:																																																																																																																
PROCESS SPECIFICATIONS:		THIS DRAWING IS SUPPLIED FOR INFORMATION ONLY. DESIGN FEATURES, SPECIFICATIONS AND PERFORMANCE DATA SHOWN HEREON ARE THE PROPERTY OF THE AMPHENOL CORPORATION. NO RIGHTS OF REPRODUCTION ARE IMPLIED. ALL DIMENSIONS ARE SUBJECT TO NORMAL MANUFACTURING VARIATIONS.		<table border="1"> <thead> <tr> <th>SIZE</th> <th>TYPE</th> <th>DWG NO.</th> <th>REVISION</th> </tr> </thead> <tbody> <tr> <td>B</td> <td>C-</td> <td>AHDM06-24-07SN-CL22</td> <td>A1</td> </tr> </tbody> </table>			SIZE	TYPE	DWG NO.	REVISION	B	C-	AHDM06-24-07SN-CL22	A1																																																																																																				
SIZE	TYPE	DWG NO.	REVISION																																																																																																															
B	C-	AHDM06-24-07SN-CL22	A1																																																																																																															
NEXT ASSY:		SCALE: NONE		SHEET 1 OF 1																																																																																																														

TITLE: PLUG, 24 SZ 07 SOC, N, WIDE THD, CL22  
DWG NO: AHDM06-24-07SN-CL22  
REV: A1  
SHEET 1 OF 1

## X-ON Electronics

Largest Supplier of Electrical and Electronic Components

*Click to view similar products for [Standard Circular Connector](#) category:*

*Click to view products by [Amphenol](#) manufacturer:*

Other Similar products are found below :

[5M2530B10P](#) [600259N006](#) [600273N007](#) [6134-336-13149](#) [6134-337-11149](#) [6134-337-2390](#) [6134-341-17149](#) [6280-4SG-516](#) [6280-7SG-3DC](#)  
[6290](#) [6291A](#) [66200A-10](#) [680-SMG](#) [681-PMG](#) [CXS3102A14S2P](#) [CXS3102A181S](#) [7251-6SG-300](#) [7271-6SG-300](#) [7282-3PG-300-CH3](#) [75-](#)  
[474014-05S](#) [75-474618-01S](#) [75-474618-04S](#) [799539-000](#) [MI8-SE](#) [805-005-07NF11-19PC](#) [805-005-07NF15-7PA](#) [8280-4PG-516](#) [8280-7PG-](#)  
[519](#) [8282-5PG-519](#) [836783-1](#) [MP-4102-25P-C](#) [862256-1](#) [864019-2](#) [866857-1](#) [867865-1](#) [PT01SP-14-18P](#) [PT08P-14-5S](#) [PTSF06SE-14-12S](#)  
[120-1833-000](#) [QCM019PC2DC012B](#) [1-2069279-1](#) [121583-0217](#) [121667-0020](#) [129591AU](#) [1000B BULK](#) [RD10A16-19-P6CS051/1](#)  
[RD10A20-31-P8CS051/1](#) [RD16A14-12-S6CS051/2](#) [1301240290](#) [1301240347](#) [1301860202](#)