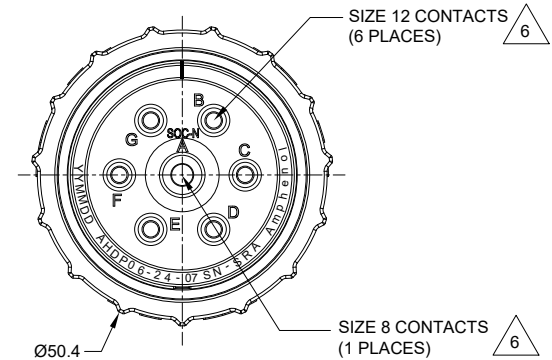
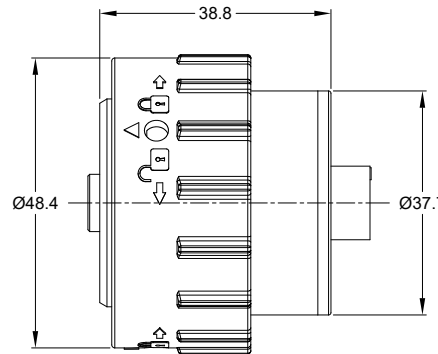
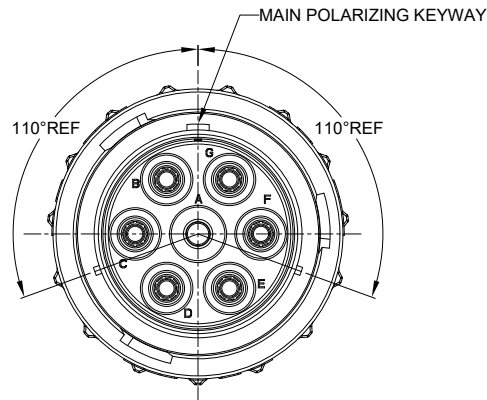


| REVISIONS | | | | | |
|-----------|-----|---------------------|---------|-----|-------|
| REV | ECO | DESCRIPTION | DATE | BY | APPR |
| A1 | -- | RELEASE NEW DRAWING | 12MAY20 | IAN | TOMMY |
| A2 | -- | MODIFY PRODUCT NAME | 11AUG20 | IAN | TOMMY |



NOTES: UNLESS OTHERWISE SPECIFIED

- MATERIAL:
HOUSING: THERMOPLASTIC; BLACK
SEAL: SILICONE RUBBER
- MODIFICATIONS: SMOOTH RING ADAPTER;
STANDARD DIA. WIRE SEAL.
- SPECIFICATIONS:
 - OPERATING TEMPERATURE: -55°C TO +125°C.
 - DIELECTRIC WITHSTANDING VOLTAGE: LESS THAN 2 MILLIAMPS CURRENT LEAKAGE @ 1500 VOLTS AC.
 - INSULATION RESISTANCE: 1000 MEGOHM MIN @ 25°C.
 - MOISTURE RESISTANCE: IP67&IP69K (MATED CONDITION).
 - MATING CYCLE DURABILITY: 100 CYCLES
 - RoHS COMPLIANT

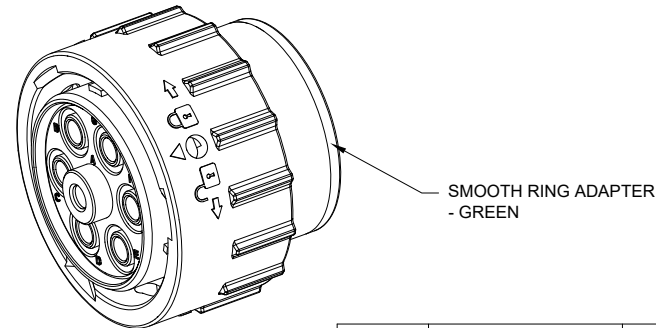
4. MATING PART: AHDP04-24-07P* (* = SEAL TYPE)

5. ALL DIMENSIONS ARE FOR REFERENCE USE ONLY.

6. CONTACT SIZE AND WIRE RANGE:

| CONTACT SIZE | MIN. INSUL O.D. | MAX. INSUL O.D. | TYPICAL WIRE RANGE | CURRENT RATING |
|--------------|-------------------|-------------------|-------------------------------------|----------------|
| 8 | 4.83 mm (.190 in) | 6.10 mm (.240 in) | 8-10 AWG (10.0-5.0mm ²) | 80 AMPS |
| 12 | 3.40 mm (.134 in) | 4.32 mm (.170 in) | 14-20 AWG (2.0-0.5mm ²) | 13 AMPS |

7. RECEPTACLE IS SUPPLIED WITH DUST CAP.



| AHDP06-24-07SN-SRA | | PART NUMBER | | DESCRIPTION | | ITEM |
|---------------------------------------|--|--|--|-------------|--|--|
| QUANTITY | | MATERIALS LIST | | | | |
| UNLESS OTHERWISE SPECIFIED | | | | | | |
| 1) All dimensions are in metric (mm). | | | | | | |
| 2) Tolerances are as follows: | | | | | | |
| 1 PL DEC ±0.30 Fractions ±1/64 | | | | | | |
| 2 PL DEC ±0.15 Angles ±1° | | | | | | |
| 3 PL DEC ±0.08 | | | | | | |
| 3) Note reference = | | | | | | |
| MATERIAL SPECIFICATIONS: | | SIGNATURES | | DATE | | Sine Systems - www.amphenol-sine.com 44724 Morley Drive Clinton Township, MI 48036 |
| PROCESS SPECIFICATIONS: | | DRAWN: IAN XIAO | | 11AUG20 | | |
| NEXT ASSY: | | CHECKED: ORION LI | | 12AUG20 | | |
| | | ENGINEER: | | | | |
| | | APPROVAL: TOMMY XIE | | 13AUG20 | | PLUG, SIZE 24, 7-SOCKET, NORMAL SEAL, SRA, DURAMATE AHDP SERIES |
| | | CUSTOMER: | | | | |
| | | THIS DRAWING IS SUPPLIED FOR INFORMATION ONLY. DESIGN FEATURES, SPECIFICATIONS AND PERFORMANCE DATA SHOWN HEREON ARE THE PROPERTY OF THE AMPHENOL CORPORATION. NO RIGHTS OF REPRODUCTION ARE IMPLIED. ALL DIMENSIONS ARE SUBJECT TO NORMAL MANUFACTURING VARIATIONS. | | SIZE: B C- | | DWG NO: AHDP06-24-07SN-SRA |
| | | SCALE: NONE | | DURAMATE | | REVISION: A2 |
| | | SHEET 1 | | OF 1 | | |

TITLE: PLUG, SIZE 24, 7-SOCKET, NORMAL SEAL, SRA, DURAMATE AHDP SERIES
DWG NO: AHDP06-24-07SN-SRA
REV: A2
SH: 1
OF: 1

X-ON Electronics

Largest Supplier of Electrical and Electronic Components

Click to view similar products for [Standard Circular Connector](#) category:

Click to view products by [Amphenol](#) manufacturer:

Other Similar products are found below :

[5M2530B10P](#) [600259N006](#) [600273N007](#) [6134-336-13149](#) [6134-337-11149](#) [6134-337-2390](#) [6134-341-17149](#) [6280-4SG-516](#) [6280-7SG-3DC](#)
[6290](#) [6291A](#) [66200A-10](#) [680-SMG](#) [681-PMG](#) [CXS3102A14S2P](#) [CXS3102A181S](#) [7251-6SG-300](#) [7271-6SG-300](#) [7282-3PG-300-CH3](#) [75-](#)
[474014-05S](#) [75-474618-01S](#) [75-474618-04S](#) [799539-000](#) [MI8-SE](#) [805-005-07NF11-19PC](#) [805-005-07NF15-7PA](#) [8280-4PG-516](#) [8280-7PG-](#)
[519](#) [8282-5PG-519](#) [836783-1](#) [MP-4102-25P-C](#) [862256-1](#) [864019-2](#) [866857-1](#) [867865-1](#) [PT01SP-14-18P](#) [PT08P-14-5S](#) [PTSF06SE-14-12S](#)
[120-1833-000](#) [QCM019PC2DC012B](#) [1-2069279-1](#) [121583-0217](#) [121667-0020](#) [129591AU](#) [1000B BULK](#) [RD10A16-19-P6CS051/1](#)
[RD10A20-31-P8CS051/1](#) [RD16A14-12-S6CS051/2](#) [1301240290](#) [1301240347](#) [1301860202](#)