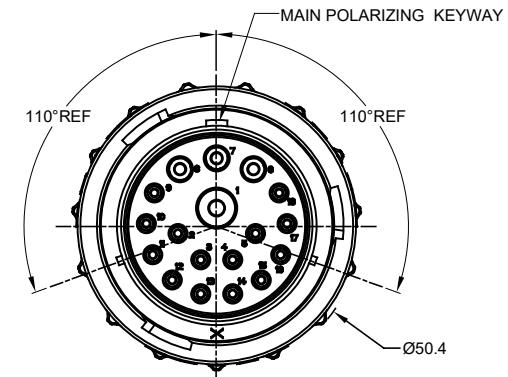
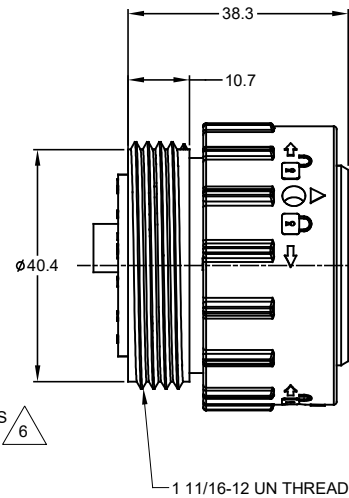
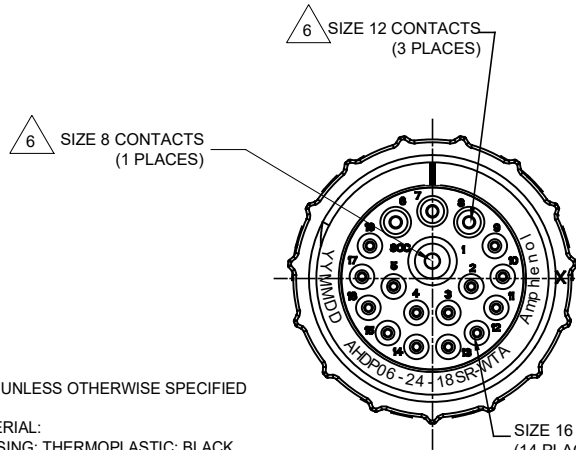


| REVISIONS |        |   |         |        |       |
|-----------|--------|---|---------|--------|-------|
| REV       | ECO    | DESCRIPTION                                 | DATE    | BY     | APPR  |
| A1        | --     | RELEASE NEW DRAWING                         | 25DEC17 | RIMON  | TOMMY |
| A2        | C0870S | Change the appearance of the retaining ring | 27JUN18 | KASOON | TOMMY |

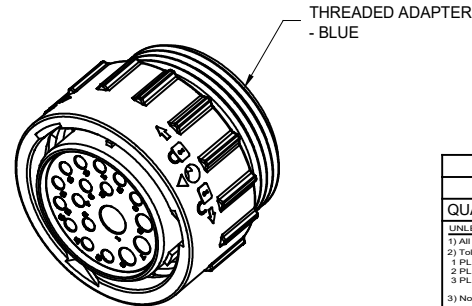


NOTES: UNLESS OTHERWISE SPECIFIED

- MATERIAL:  
HOUSING: THERMOPLASTIC; BLACK  
SEAL: SILICONE RUBBER
- MODIFICATIONS: THREADED ADAPTER;  
REDUCED DIA. WIRE SEAL
- SPECIFICATIONS:  
3.1 OPERATING TEMPERATURE: -55°C TO +125°C.  
3.2 DIELECTRIC WITHSTANDING VOLTAGE: LESS THAN 2 MILLIAMPS CURRENT LEAKAGE @ 1500 VOLTS AC.  
3.3 INSULATION RESISTANCE: 1000 MEGOHM MIN @ 25°C.  
3.4 MOISTURE RESISTANCE: IP67&IP69K ( MATED CONDITION ).  
3.5 MATING CYCLE DURABILITY: 100 CYCLES  
3.6 RoHS COMPLIANT
- MATING PART: AHP04-24-18P\* (\* = SEAL TYPE )
- ALL DIMENSIONS ARE FOR REFERENCE USE ONLY.

6 CONTACT SIZE AND WIRE RANGE:

| CONTACT SIZE | MIN. INSUL O.D.   | MAX. INSUL O.D.   | TYPICAL WIRE RANGE | CURRENT RATING |
|--------------|-------------------|-------------------|--------------------|----------------|
| 08           | 3.43 mm (.135in)  | 5.59 mm (.220 in) | 8-10 AWG           | 60 AMPS        |
| 12           | 2.46 mm (.097 in) | 4.01 mm (.158 in) | 10-14 AWG          | 25 AMPS        |
| 16           | 1.35 mm (.053in)  | 3.05 mm (.120 in) | 14-20 AWG          | 13 AMPS        |



TITLE: PLUG,24-18 POS, SOCKET CONF, REDUCED DIA. SEAL, AHP  
DWG NO: AHP06-24-18SR-WTA  
REV: A2  
SH: 1  
OF: 1

| AHP06-24-18SR-WTA   |             | DESCRIPTION  |                           |
|---|-------------|--|---------------------------|
| QUANTITY  | PART NUMBER | MATERIALS LIST   |                           |
| UNLESS OTHERWISE SPECIFIED:<br>1) All dimensions are in metric (mm).<br>2) Tolerances are as follows:<br>1 PL DEC ±0.30 Fractions ±1/64<br>2 PL DEC ±0.15 Angles ±1°<br>3 PL DEC ±0.08<br>3) Note reference = |             |  |                           |
| SIGNATURES  |             | DATE   |                           |
| DRAWN: KASOON   |             | 27JUN18  |                           |
| CHECKED: ORIONLI  |             | 27JUN18  |                           |
| ENGINEER:   |             |  |                           |
| APPROVAL: TOMMY.XIE   |             | 27JUN18  |                           |
| MATERIAL SPECIFICATIONS:  |             | CUSTOMER:  |                           |
| PROCESS SPECIFICATIONS:   |             | THIS DRAWING IS SUPPLIED FOR INFORMATION ONLY. DESIGN FEATURES, SPECIFICATIONS AND PERFORMANCE DATA SHOWN HEREON ARE THE PROPERTY OF THE AMPHENOL CORPORATION. NO RIGHTS OF REPRODUCTION ARE IMPLIED. ALL DIMENSIONS ARE SUBJECT TO NORMAL MANUFACTURING VARIATIONS. |                           |
| NEXT ASSY:  |             | SCALE: NONE  |                           |
|   |             | SIZE: B C-   | DWG NO: AHP06-24-18SR-WTA |
|   |             | REVISION: A2   |                           |
|   |             | SHEET 1 OF 1   |                           |

**Amphenol**  
Sine Systems - www.amphenol-sine.com  
44724 Morley Drive  
Clinton Township, MI 48036

PLUG,24-18 POS, SOCKET CONTACT  
REDUCED DIA. SEAL, AHP SERIES

## X-ON Electronics

Largest Supplier of Electrical and Electronic Components

*Click to view similar products for [Automotive Connectors](#) category:*

*Click to view products by [Amphenol](#) manufacturer:*

Other Similar products are found below :

[003-018-000](#) [60403001](#) [60993906-B](#) [M902-2131](#) [M902-2161](#) [72.330.1035.1](#) [73.353.4028.0](#) [F119300-B](#) [F166900](#) [F258300-B](#) [F358300-B](#)  
[F407400](#) [F444110](#) [F487000](#) [F509500B-B](#) [827153-1](#) [8N1515-32-24P](#) [9-1326729-8](#) [925474-1](#) [928905-1](#) [964562-4](#) [968782-1](#) [GT17SA-8DS-](#)  
[HU](#) [98891-1012](#) [98947-1016](#) [12004475-L](#) [12010290](#) [12010309-B](#) [12015454](#) [12020219-B](#) [12020308](#) [12041318-B](#) [12052225-L](#) [12052466](#)  
[12059125](#) [12064869](#) [12004327-B](#) [12010503-B](#) [12015308](#) [12015384](#) [12015909](#) [1-21030-1](#) [12041254](#) [12041318](#) [12047946-B](#) [12047957](#)  
[12047957-L](#) [12059473](#) [12066261](#) [12110546](#)