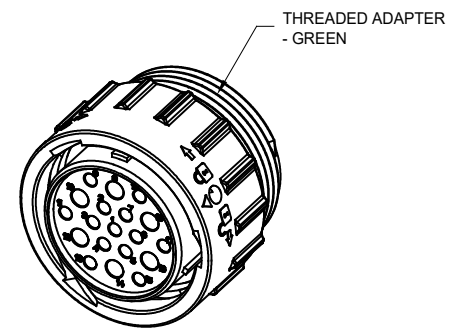
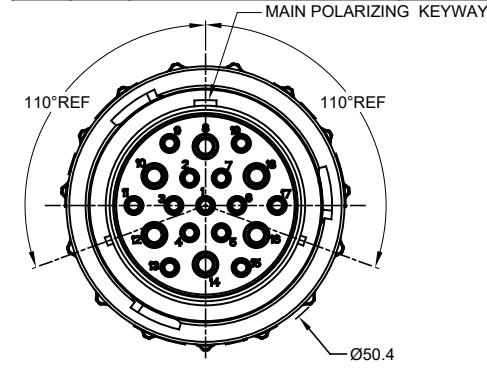


| REVISIONS |        |   |         |        |       |
|-----------|--------|---|---------|--------|-------|
| REV       | ECO    | DESCRIPTION                                 | DATE    | BY     | APPR  |
| A1        | --     | RELEASE NEW DRAWING                         | 13NOV15 | SULLEN | TOMMY |
| A2        | C0765S | UPDATE SPECIFICATIONS                       | 23NOV17 | ROOKIE | TOMMY |
| A3        | C0870S | Change the appearance of the retaining ring | 26JUN18 | KASOON | TOMMY |



NOTES: UNLESS OTHERWISE SPECIFIED

1. MATERIAL:  
HOUSING: THERMOPLASTIC; BLACK  
SEAL: SILICONE RUBBER
2. MODIFICATIONS: THREADED ADAPTER
3. SPECIFICATIONS:
  - 3.1 OPERATING TEMPERATURE: -55°C TO +125°C.
  - 3.2 DIELECTRIC WITHSTANDING VOLTAGE: LESS THAN 2 MILLIAMPS CURRENT LEAKAGE @ 1500 VOLTS AC.
  - 3.3 INSULATION RESISTANCE: 1000 MEGOHM MIN @ 25°C.
  - 3.4 MOISTURE RESISTANCE: IP67&IP69K ( MATED CONDITION ).
  - 3.5 MATING CYCLE DURABILITY: 100 CYCLES
  - 3.6 RoHS COMPLIANT
4. MATING PART: AHDPO4-24-19P\* (\* = SEAL TYPE )
5. ALL DIMENSIONS ARE FOR REFERENCE USE ONLY.

6 CONTACT SIZE AND WIRE RANGE:

| CONTACT SIZE | MIN. INSUL O.D.   | MAX. INSUL O.D.   | TYPICAL WIRE RANGE | CURRENT RATING |
|--------------|-------------------|-------------------|--------------------|----------------|
| 12           | 3.43 mm (.135 in) | 4.32 mm (.170 in) | 10-14 AWG          | 25 AMPS        |
| 16           | 2.54 mm (.100in)  | 3.40 mm (.134 in) | 14-20 AWG          | 13 AMPS        |

|   |                |  |      |  |
|---|----------------|--|------|--|
| AHDPO6-24-19SN-WTA  |                | DESCRIPTION  |      | ITEM   |
| PART NUMBER   |                | DESCRIPTION  |      | ITEM   |
| QUANTITY  | MATERIALS LIST |  |      |  |
| UNLESS OTHERWISE SPECIFIED:<br>1) All dimensions are in metric(mm).<br>2) Tolerances are as follows:<br>1 PL DEC ±0.30<br>2 PL DEC ±0.15<br>3 PL DEC ±0.08<br>3) Note reference = |                | SIGNATURES   |      | DATE   |
| DRAWN: KASOON   |                | DATE: 26JUN18  |      | <br>Sine Systems - www.amphenol-sine.com<br>44724 Morley Drive<br>Clinton Township, MI 48036 |
| CHECKED: CRON   |                | DATE: 26JUN18  |      |  |
| APPROVAL: TOMMY   |                | DATE: 26JUN18  |      |  |
| CUSTOMER:   |                |  |      |  |
| MATERIAL SPECIFICATIONS:  |                | THIS DRAWING IS SUPPLIED FOR INFORMATION ONLY. DESIGN FEATURES, SPECIFICATIONS AND PERFORMANCE DATA SHOWN HEREON ARE THE PROPERTY OF THE AMPHENOL CORPORATION. NO RIGHTS OF REPRODUCTION ARE IMPLIED. ALL DIMENSIONS ARE SUBJECT TO NORMAL MANUFACTURING VARIATIONS. |      | CUSTOMER:<br>PLUG,24-19 POS, SOCKET CONTACT<br>STANDARD DIA. SEAL, AHDPO SERIES              |
| PROCESS SPECIFICATIONS:   |                | SIZE   | TYPE | DWG NO:  |
| NEXT ASSY:  |                | B  | C-   | AHDPO6-24-19SN-WTA   |
|   |                | SCALE  | NONE | REVISION   |
|   |                |  |      | A3   |
|   |                | SHEET 1 OF 1   |      |  |

TITLE: PLUG,24-19 POS, SOCKET CONTACT, STANDARD DIA. SEAL, AHDPO  
 DWG NO: AHDPO6-24-19SN-WTA  
 REV: A3  
 SH: 1  
 OF: 1

## X-ON Electronics

Largest Supplier of Electrical and Electronic Components

*Click to view similar products for [Automotive Connectors](#) category:*

*Click to view products by [Amphenol](#) manufacturer:*

Other Similar products are found below :

[003-018-000](#) [60403001](#) [60993906-B](#) [M902-2131](#) [M902-2161](#) [72.330.1035.1](#) [73.353.4028.0](#) [F119300-B](#) [F166900](#) [F258300-B](#) [F358300-B](#)  
[F407400](#) [F444110](#) [F487000](#) [F509500B-B](#) [827153-1](#) [8N1515-32-24P](#) [9-1326729-8](#) [925474-1](#) [928905-1](#) [964562-4](#) [968782-1](#) [GT17SA-8DS-](#)  
[HU](#) [98891-1012](#) [98947-1016](#) [12004475-L](#) [12010290](#) [12010309-B](#) [12015454](#) [12020219-B](#) [12020308](#) [12041318-B](#) [12052225-L](#) [12052466](#)  
[12059125](#) [12064869](#) [12004327-B](#) [12010503-B](#) [12015308](#) [12015384](#) [12015909](#) [1-21030-1](#) [12041254](#) [12041318](#) [12047946-B](#) [12047957](#)  
[12047957-L](#) [12059473](#) [12066261](#) [12110546](#)