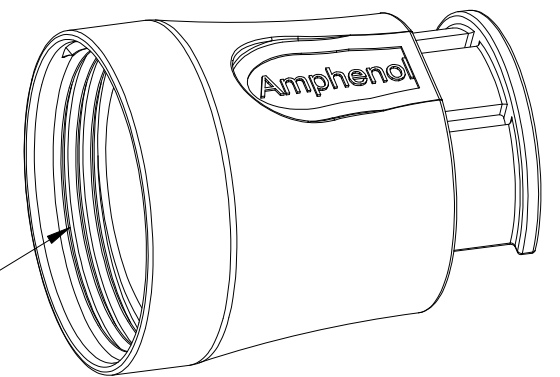
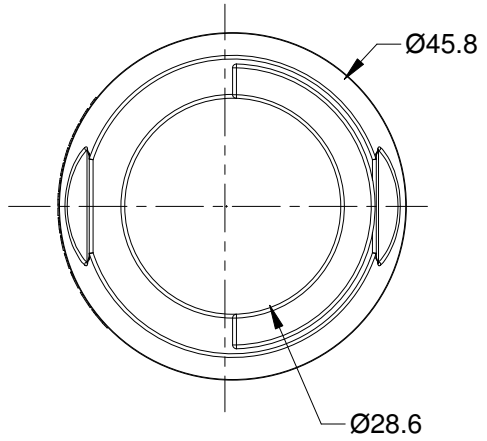
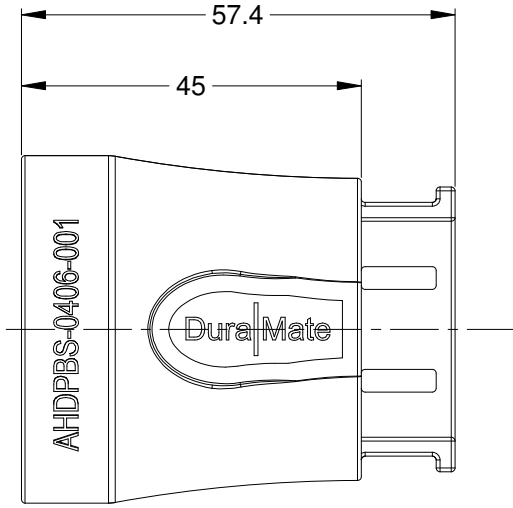


REVISIONS					
REV	ECO	DESCRIPTION	DATE	BY	APPR
A1		RELEASE NEW PRODUCT	16JUN15	ORION	TOMMY
A2		ADD PART NUMBER ON BACKSHELL	07NOV15	ORION	TOMMY



1 11/16-12 UN THREAD

NOTES: UNLESS OTHERWISE SPECIFIED

- 1. MATERIAL: THERMOPLASTIC
- 2. COLORS: BLACK
- 3. RoHS COMPLIANT
- 4. USE WITH AHDP SERIES WTA MODIFICATION
- 5. ALL DIMENSIONS ARE FOR REFERENCE USE ONLY.

AHDPBS-0406-001					
PART NUMBER		DESCRIPTION		ITEM	
QUANTITY	MATERIALS LIST				
<small>UNLESS OTHERWISE SPECIFIED</small> 1) All dimensions are in metric(mm). 2) Tolerances are as follows: 1 PL DEC ±0.30 2 PL DEC ±0.15 3 PL DEC ±0.08 Fractions ±1/64 Angles ±1° 3) Note reference =	SIGNATURES		DATE		
	DRAWN: ORION.LI		16JUN15		
MATERIAL SPECIFICATIONS:		CHECKED:		<h1 style="text-align: center;">Amphenol</h1> <p style="text-align: center;">Sine Systems - <a href="http://www.amphenol-sine.com">www.amphenol-sine.com</a>                  44724 Morley Drive                  Clinton Township, MI 48036</p> <p style="text-align: center;">BACKSEHELL, AHDP SERIES, SIZE 24,WTA</p>	
PROCESS SPECIFICATIONS:		ENGINEER:			
NEXT ASS'Y:		APPROVAL: TOMMY.XIE			
		DATE: 16JUN15			
		CUSTOMER:			
		<small>THIS DRAWING IS SUPPLIED FOR INFORMATION ONLY. DESIGN FEATURES, SPECIFICATIONS AND PERFORMANCE DATA SHOWN HEREON ARE THE PROPERTY OF THE AMPHENOL CORPORATION. NO RIGHTS OF REPRODUCTION ARE IMPLIED. ALL DIMENSIONS ARE SUBJECT TO NORMAL MANUFACTURING VARIATIONS.</small>			
SIZE	TYPE	DWG NO:	REVISION		
A	C-	AHDPBS-0406-001	A2		
SCALE: NONE			SHEET 1	OF 1	

## X-ON Electronics

Largest Supplier of Electrical and Electronic Components

*Click to view similar products for [Automotive Connectors](#) category:*

*Click to view products by [Amphenol](#) manufacturer:*

Other Similar products are found below :

[003-018-000](#) [60403001](#) [60993906-B](#) [M902-2131](#) [M902-2161](#) [72.330.1035.1](#) [73.353.4028.0](#) [F119300-B](#) [F166900](#) [F258300-B](#) [F358300-B](#)  
[F407400](#) [F444110](#) [F487000](#) [F509500B-B](#) [827153-1](#) [8N1515-32-24P](#) [9-1326729-8](#) [925474-1](#) [928905-1](#) [964562-4](#) [968782-1](#) [GT17SA-8DS-](#)  
[HU](#) [98891-1012](#) [98947-1016](#) [12004475-L](#) [12010290](#) [12010309-B](#) [12015454](#) [12020219-B](#) [12020308](#) [12041318-B](#) [12052225-L](#) [12052466](#)  
[12059125](#) [12064869](#) [12004327-B](#) [12010503-B](#) [12015308](#) [12015384](#) [12015909](#) [1-21030-1](#) [12041254](#) [12041318](#) [12047946-B](#) [12047957](#)  
[12047957-L](#) [12059473](#) [12066261](#) [12110546](#)