



Main Feature

1. Miniature size with low power consumption for rated loading to 16A.
2. Surge Strength up to 10,000V.
3. Operating temperature up to 105°C.
4. Halogen Free series available.
5. UL Class F insulation available.
6. Comply with RoHS and REACH regulations



Contact Rating

Load Type	AHQ (LM)	AHQ (LM1)	AHQ(DM2F)
Rated Load (Resistive)	5A 250VAC	10A 250VAC	16A 277VAC
	-	12A 125 VAC	-
	5A 30VDC	10A 30VDC	-
Contact Capacity	-	10A 277VAC	-
Rated Carrying Current	-	TV-5 120VAC	TV-8
Max. Allowable Voltage	5A	10A	16A
	AC 250V	AC 250V	AC 277V
Max. Allowable Current	DC 30V	DC 30V	-
	5A	12A	16A
Max. Allowable Power Force	1,250VA	2,500VA	4432VA
	150W	300W	-
Contact Material	Ag Alloy	Ag Alloy	Ag Alloy
Contact Form	SPST	SPST	SPST

Application

Domestic Appliances, Office Machines, Audio Equipment, etc.

Performance (at Initial Value)

- Contact Resistance 100mΩ Max.@1A,6VDC
- Operate Time..... 10mSec. Max.
- Release Time 5 mSec. Max.
- Dielectric Strength:
 - Between Coil & Contact 4,000VAC at 50/60 Hz for one minute
 - Between Contacts 1,000VAC at 50/60 Hz For one minute
- Surge Strength 10,000V (between coil & contact 1.2x50μSec.)
- Insulation Resistance 100 MegaΩ Min. at 500VDC
- Max. On/Off Switching:
 - Electrical..... 6 Cycles per Minute
 - Mechanical 300 Cycles per Minute
- Temperature Range..... -40~+105°C
- Humidity Range..... 45~85% RH.
- Coil Temperature Rise..... 40°C Max.
- Vibration:
 - Endurance 10 to 55 Hz dual amplitude width 1.5mm
 - Error Operation..... 10 to 55 Hz dual amplitude width 1.5mm
- Shock:
 - Endurance 1,000 m/S²
 - Error Operation..... 100 m/S²
- Life Expectancy:
 - Mechanical 10⁷ Operations at No Load condition
 - Electrical 10⁵ Operations at Rated Resistive Load
 - 2.5x10⁴ Operations at TV Rated Load
- Weight About 9.0 g



Safety Standard & File Number

- LM:
UL & C-UL..... E520111
- LM1:
UL & C-UL..... E520111

- DM2F:
UL..... E520111

Coil Specification (at 20°C)

Coil Sensitivity	Nominal Voltage (VDC)	Nominal Current (mA)	Coil Resistance ($\Omega \pm 10\%$)	Power Consumption (W)	Pull-In Voltage (VDC)	Drop-Out Voltage (VDC)	Maximum Allowable Voltage (VDC)
AHQ(LM/LM1)	3	67	45	Abt. 0.20	80% Maximum	5% Minimum	110%
	5	40	125				
	6	33.3	180				
	9	22.5	400				
	12	16.7	720				
	15	13.3	1,125				
	18	11.1	1,620				
	24	8.3	2,880				
AHQ(DM2F)	48	4.2	11,520	Abt. 0.36	80% Maximum	5% Minimum	110%
	5	71.4	70				
	6	60	100				
	9	40	225				
	12	30	400				
	15	24	625				
	18	20	900				
	24	15	1,600				
	48	7.5	6,400				

Ordering Information

AHQ SH 1 12 L M 1 F

Insulation System:

Nil: Standard Class
F: Class F

Rated Carrying Current:

Nil: 5A
1: 10A
2: 16A(New)

Contact Form:

M: One Form A

Coil Sensitivity:

D: New structure Standard DC, 16A
L: High DC

Coil Voltage:

03: 3V, 05: 5V, 06: 6V, 09: 9V, 12: 12V
15: 15V, 18: 18V, 24: 24V, 48: 48V

Number of Pole:

1: One Pole

Type of Sealing:

SH: RTIII Wash Tight

Type:

AHQ

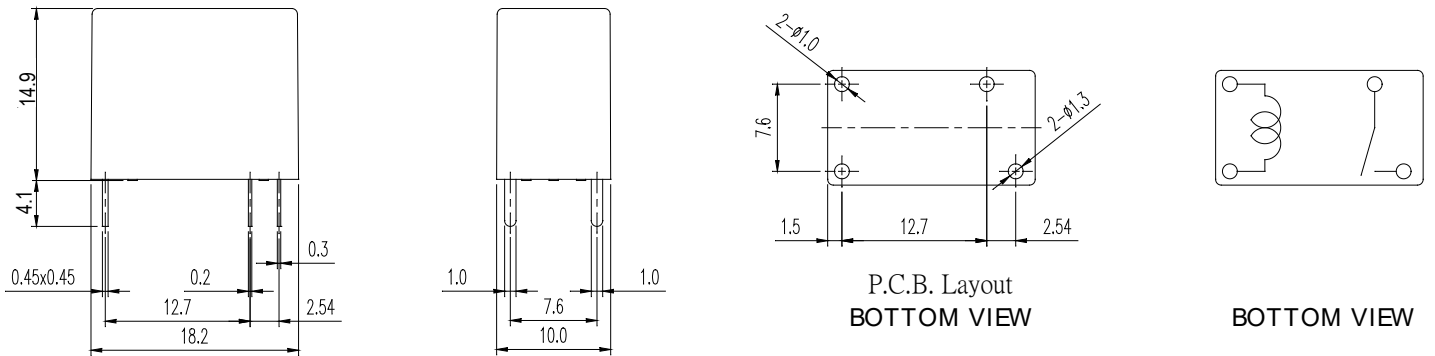
*Note: 16A is with class F and the ordering part no shall be "DM2F".

Classification

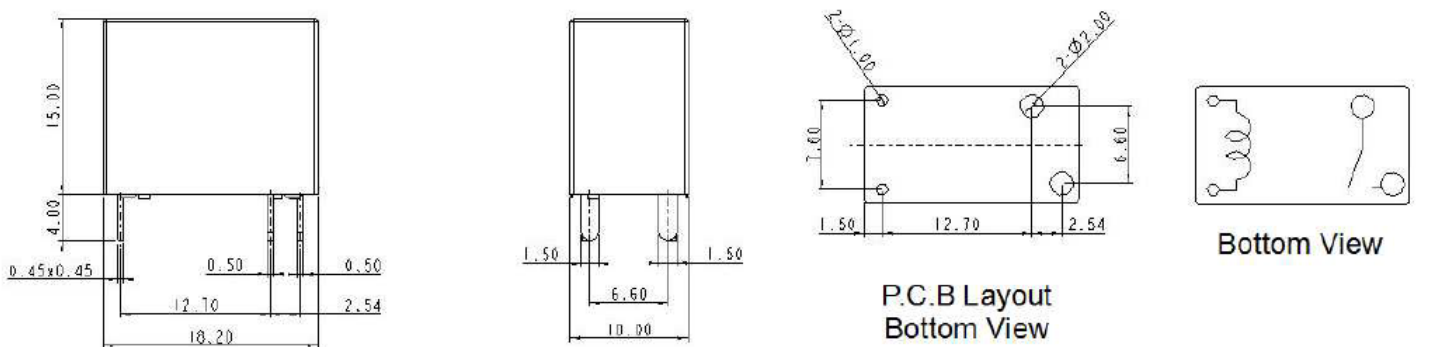
Model	AHQ		
Rated Carrying Current	5A	10A	16A
Wash Tight	AHQ SH 1□□LM	AHQ SH 1□□LM1/F	AHQ SH 1□□DM2F

Dimension ($\leq 5\text{mm} \pm 0.2\text{mm}$, $> 5\text{mm} \pm 0.3\text{mm}$, the tolerance of PCB thru hole: $+0.1\text{mm}$)

AHQ-LM/LM1



AHQ-DM2



X-ON Electronics

Largest Supplier of Electrical and Electronic Components

Click to view similar products for [General Purpose Relays](#) category:

Click to view products by [Amphenol](#) manufacturer:

Other Similar products are found below :

[PCN-105D3MH,000](#) [59641F200](#) [5JO-1000CD-SIL](#) [5X827E](#) [5X837F](#) [5X840F](#) [5X842F](#) [5X848E](#) [LY2N-AC120](#) [LY2-US-AC120](#) [M115C60](#)
[M115N010](#) [M115N0150](#) [603-12D](#) [60HE1-5DC](#) [60HE2S-12DC](#) [61211T0B4](#) [61212T400](#) [61222Q400](#) [61243B600](#) [61243C500](#) [61243Q400](#)
[61311BOA2](#) [61311BOA6](#) [61311BOA8](#) [61311C0A2](#) [61311COA1](#) [61311COA6](#) [61311F0A2](#) [61311QOA1](#) [61311QOA4](#) [61311T0D6](#)
[61311TOA6](#) [61311TOA7](#) [61311TOB3](#) [61311TOB4](#) [61311U0A6](#) [61312Q600](#) [61312T400](#) [61312T600](#) [61313U200](#) [61313U400](#) [61322T400](#)
[61332C400](#) [61343C200](#) [61343C600](#) [61343Q200](#) [61343T100](#) [61343T200](#) [61343T400](#)