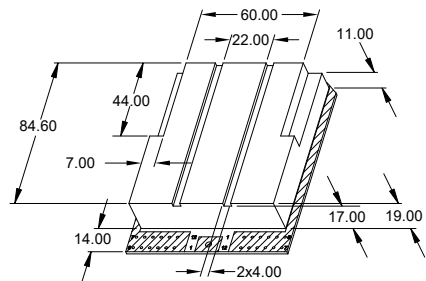
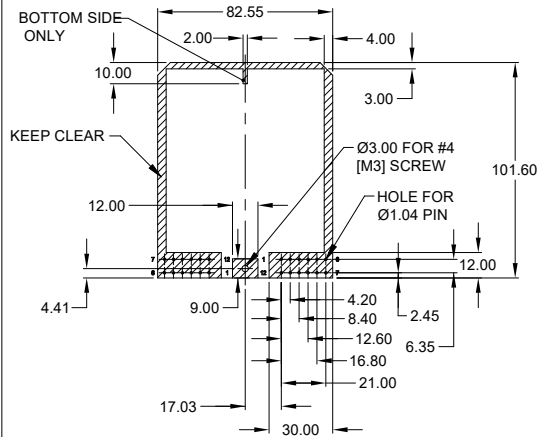
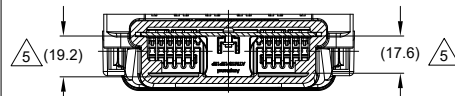


CIRCUIT BOARD HOLE LOCATIONS  
AND KEEP CLEAR AREAS FOR  
ATM13-12Px-12Px-BM01  
ATM13-12Px-12Px-BM03  
ALL DIMENSIONS REFERENCE  
TOP VIEW

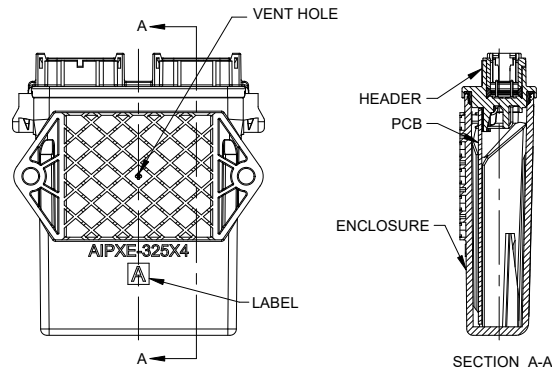
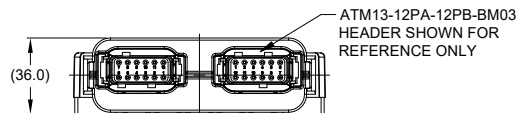
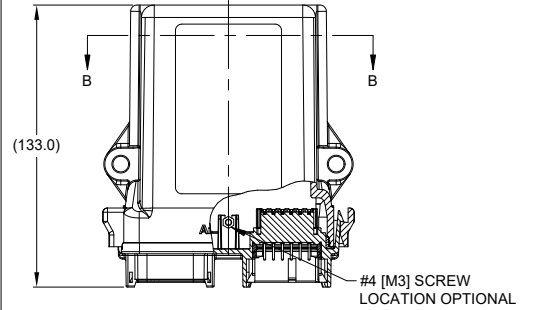


THREE DIMENSIONAL SPACE LIMIT  
APPROXIMATE INTERNAL SPACE  
FOR COMPONENT SPACE LAYOUT  
MAX. COMPONENT HEIGHT UNDER BOARD 2.00 mm.

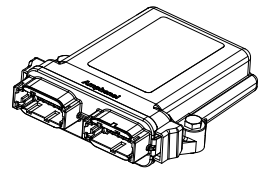
ASSEMBLED HEADER SHOWN FOR REFERENCE



SECTION B-B



SECTION A-A



3D VIEW  
ATM13-12Px-12Px-BM01 AND  
ATM13-12Px-12Px-BM03 HEADER AND MOUNTING  
HARDWARE SHOWN FOR REFERENCE

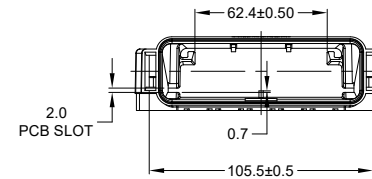
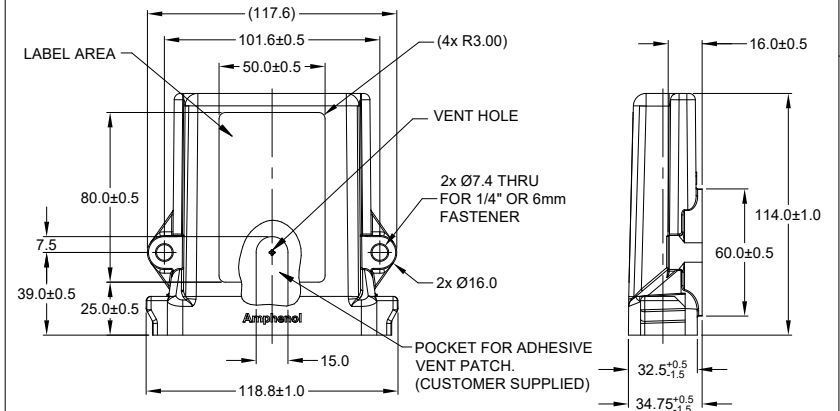
NOTES: UNLESS OTHERWISE SPECIFIED

- MATERIAL: NATURAL ULTEM
- THIS ENCLOSURE MATES WITH ATM13-12Px-12Px-BM0\* & ATM13-12Px-GR01 / R008 HEADER AND AIPXE-325XBP-01. (x=A,B,C,D KEYS, \*=ALL MODIFICATIONS)
- RoHS COMPLIANT
- ALL DIMENSIONS ARE FOR REFERENCE USE ONLY.

5. MAXIMUM COMPONENT HEIGHT DEPENDS ON LOCATION DUE TO PART DRAFT AND RIBS.

REVISIONS

REV	ECO	DESCRIPTION	DATE	BY	APPR
A1	-	RELEASE NEW DRAWING	06NOV18	SULLEN	TOMMY
A2	-	UPDATED DRAWING	18FEB19	SULLEN	TOMMY
A3	-	ADD AMPHENOL LOGO	08APR19	SULLEN	TOMMY
A4	-	UPDATED DRAWING	10DEC19	SULLEN	TOMMY
A5	-	UPDATED SPACE LIMIT DIMENSION	15JAN20	SULLEN	TOMMY



PART NUMBER CHART

LABEL	VENT HOLE	PART NUMBER	
A	WITH VENT HOLES	AIPXE-325X4A-E016	EEC-325X4A-E016
B	WITHOUT VENT HOLES	AIPXE-325X4B-E016	EEC-325X4B-E016

SEE PART NUMBER CHART

PART NUMBER

DESCRIPTION

ITEM

QUANTITY

MATERIALS LIST

UNLESS OTHERWISE SPECIFIED

- All dimensions are in metric (mm).
- Tolerances are as follows:  
1 PL DEC ±0.30  
2 PL DEC ±0.15  
3 PL DEC ±0.08

3) Note reference =

SIGNATURES DATE

DRAWN: SULEN ZHANG 15JAN20

CHECKED: ORION LI 16JAN20

ENGINEER:

APPROVAL: TOMMY XIE 17JAN20

CUSTOMER:

MATERIAL SPECIFICATIONS:

PROCESS SPECIFICATIONS:

NEXT ASSY:

THIS DRAWING IS SUPPLIED FOR INFORMATION ONLY. DESIGN FEATURES, SPECIFICATIONS AND PERFORMANCE DATA SHOWN HEREON ARE THE PROPERTY OF THE AMPHENOL CORPORATION. NO RIGHTS OF REPRODUCTION ARE IMPLIED. ALL DIMENSIONS ARE SUBJECT TO NORMAL MANUFACTURING VARIATIONS.

**Amphenol**

Sine Systems - www.amphenol-sine.com  
44724 Morley Drive  
Clinton Township, MI 48036

ARMOR IPX PCB ENCLOSURE, AMBER,  
SHOWN WITH 24 PIN HEADER

SIZE TYPE DWG NO. REVISION  
**B C-** AIPXE-325X4x-E016 **A5**

SCALE: NONE

SHEET 1 OF 1

TITLE: ARMOR IPX PCB ENCLOSURE, AMBER SHOWN WITH 24 PIN HEADER

DWG NO.

AIPXE-325X4x-E016

REV: A5

SH: 1

OF: 1

## X-ON Electronics

Largest Supplier of Electrical and Electronic Components

*Click to view similar products for [Automotive Connectors](#) category:*

*Click to view products by [Amphenol](#) manufacturer:*

Other Similar products are found below :

[003-018-000](#) [60403001](#) [60993906-B](#) [M902-2131](#) [M902-2161](#) [72.330.1035.1](#) [73.353.4028.0](#) [F119300-B](#) [F166900](#) [F258300-B](#) [F358300-B](#)  
[F407400](#) [F444110](#) [F487000](#) [F509500B-B](#) [827153-1](#) [8N1515-32-24P](#) [9-1326729-8](#) [925474-1](#) [928905-1](#) [964562-4](#) [968782-1](#) [GT17SA-8DS-](#)  
[HU](#) [98891-1012](#) [98947-1016](#) [12004475-L](#) [12010290](#) [12010309-B](#) [12015454](#) [12020219-B](#) [12020308](#) [12041318-B](#) [12052225-L](#) [12052466](#)  
[12059125](#) [12064869](#) [12004327-B](#) [12010503-B](#) [12015308](#) [12015384](#) [12015909](#) [1-21030-1](#) [12041254](#) [12041318](#) [12047946-B](#) [12047957](#)  
[12047957-L](#) [12059473](#) [12066261](#) [12110546](#)