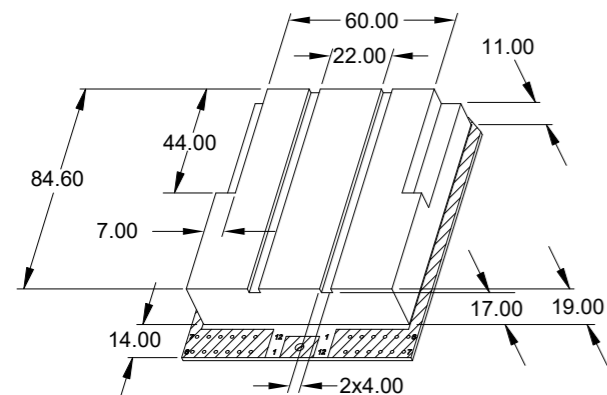
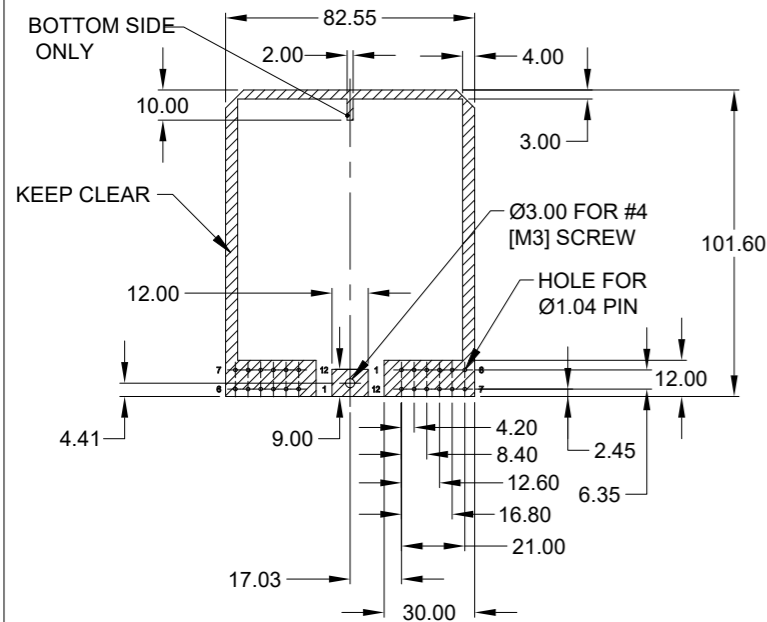
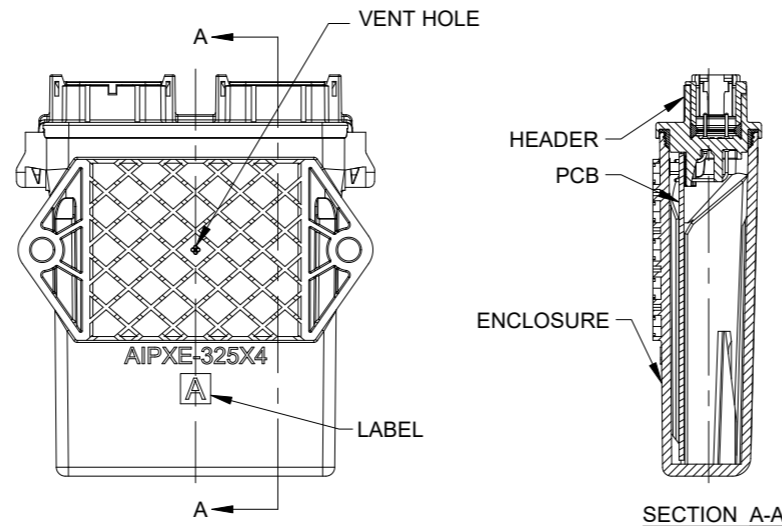
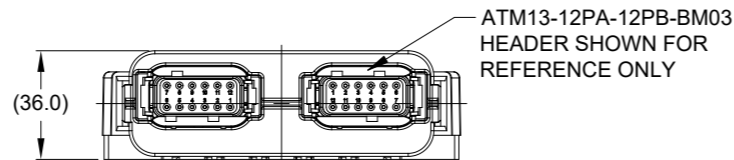
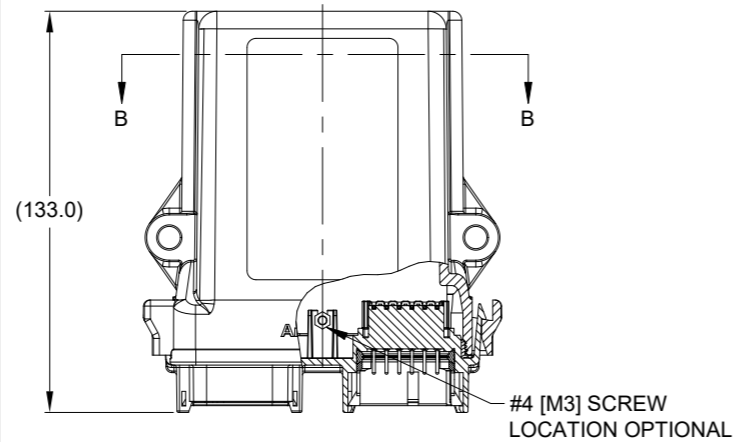
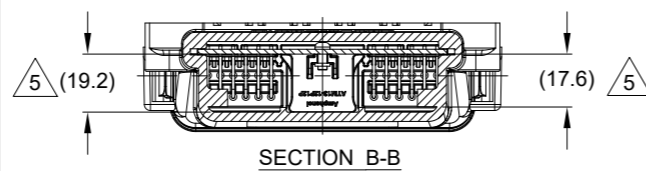


CIRCUIT BOARD HOLE LOCATIONS
AND KEEP CLEAR AREAS FOR
ATM13-12Px-12Px-BM01
ATM13-12Px-12Px-BM03
ALL DIMENSIONS REFERENCE
TOP VIEW

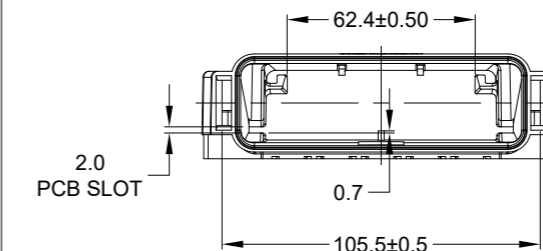
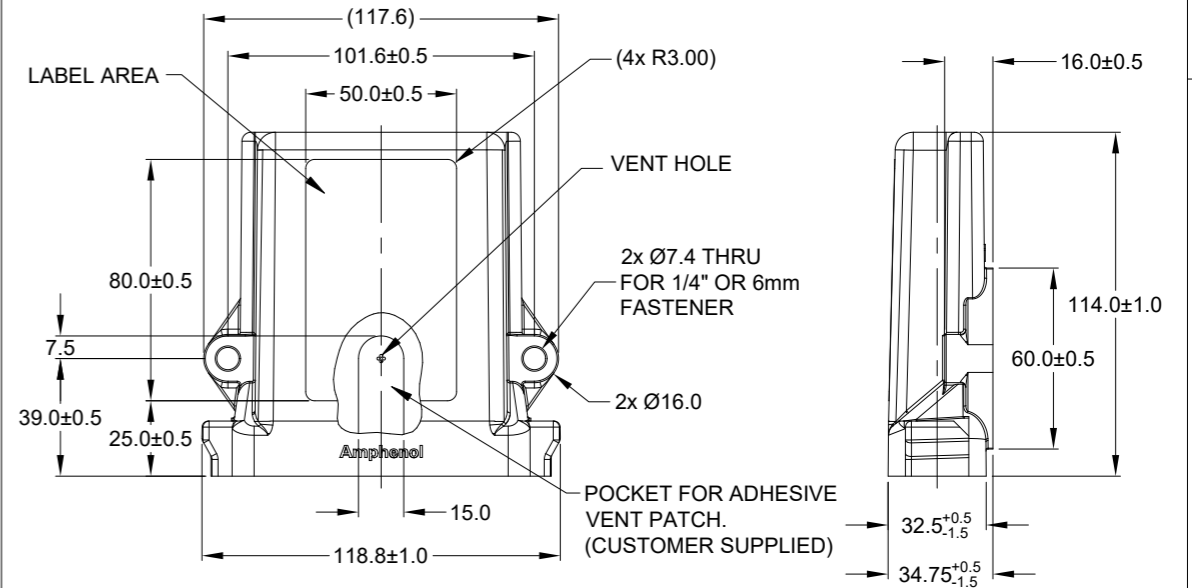


THREE DIMENSIONAL SPACE LIMIT
APPROXIMATE INTERNAL SPACE
FOR COMPONENT SPACE LAYOUT
MAX. COMPONENT HEIGHT UNDER BOARD 2.00 mm.

ASSEMBLED HEADER SHOWN FOR REFERENCE



REVISIONS					
REV	ECO	DESCRIPTION	DATE	BY	APPR
A1	-	RELEASE NEW DRAWING	06NOV18	SULLEN	TOMMY
A2	-	UPDATED DRAWING	18FEB19	SULLEN	TOMMY
A3	-	ADD AMPHENOL LOGO	08APR19	SULLEN	TOMMY
A4	-	UPDATED DRAWING	10DEC19	SULLEN	TOMMY
A5	-	UPDATED SPACE LIMIT DIMENSION	15JAN20	SULLEN	TOMMY



PART NUMBER CHART			
LABEL	VENT HOLE	PART NUMBER	
A	WITH VENT HOLES	AIPXE-325X4A	EEC-325X4A
B	WITHOUT VENT HOLES	AIPXE-325X4B	EEC-325X4B

QUANTITY	SEE PART NUMBER CHART	PART NUMBER	DESCRIPTION	ITEM
----------	-----------------------	-------------	-------------	------

MATERIALS LIST		SIGNATURES		DATE
UNLESS OTHERWISE SPECIFIED		DRAWN: SULLEN.ZHANG		15JAN20
1) All dimensions are in metric(mm).		CHECKED: ORION.LI		16JAN20
2) Tolerances are as follows:		ENGINEER:		
1 PL DEC ±0.30		APPROVAL: TOMMY.XIE		17JAN20
2 PL DEC ±0.15		CUSTOMER:		
3 PL DEC ±0.08		THIS DRAWING IS SUPPLIED FOR INFORMATION ONLY. DESIGN FEATURES, SPECIFICATIONS AND PERFORMANCE DATA SHOWN HEREON ARE THE PROPERTY OF THE AMPHENOL CORPORATION. NO RIGHTS OF REPRODUCTION ARE IMPLIED. ALL DIMENSIONS ARE SUBJECT TO NORMAL MANUFACTURING VARIATIONS.		
3) Note reference = \triangle		MATERIAL SPECIFICATIONS:		
PROCESS SPECIFICATIONS:		NEXT ASSY:		

Amphenol

Sine Systems - www.amphenol-sine.com
44724 Morley Drive
Clinton Township, MI 48036

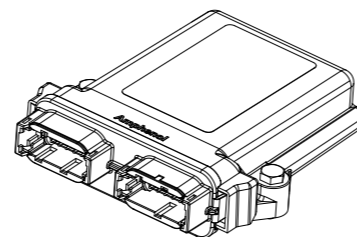
ARMOR IPX PCB ENCLOSURE, BLACK,
SHOWN WITH 24 PIN HEADER

SIZE	TYPE	DWG NO:	REVISION
B	C-	AIPXE-325X4x	A5
SCALE:	NONE	SHEET 1	OF 1

NOTES: UNLESS OTHERWISE SPECIFIED

- MATERIAL: THERMOPLASTIC, BLACK
- THIS ENCLOSURE MATES WITH ATM13-12Px-12Px-BM0* & ATM13-12Px-GR01 / R008 HEADER AND AIPXE-325XP-01. (x= A,B,C,D KEYS, *=ALL MODIFICATIONS)
- RoHS COMPLIANT
- ALL DIMENSIONS ARE FOR REFERENCE USE ONLY.

\triangle MAXIMUM COMPONENT HEIGHT DEPENDS ON LOCATION DUE TO PART DRAFT AND RIBS.



3D VIEW
ATM13-12Px-12Px-BM01 AND
ATM13-12Px-12Px-BM03 HEADER AND MOUNTING
HARDWARE SHOWN FOR REFERENCE

TITLE: ARMOR IPX PCB ENCLOSURE, BLACK SHOWN WITH 24 PIN HEADER

DWG NO:

AIPXE-325X4x

REV: A5

SH: 1

OF: 1

X-ON Electronics

Largest Supplier of Electrical and Electronic Components

Click to view similar products for [Automotive Connectors](#) category:

Click to view products by [Amphenol](#) manufacturer:

Other Similar products are found below :

[003-018-000](#) [60403001](#) [60993906-B](#) [M902-2131](#) [M902-2161](#) [72.330.1035.1](#) [73.353.4028.0](#) [F119300-B](#) [F166900](#) [F258300-B](#) [F358300-B](#)
[F407400](#) [F444110](#) [F487000](#) [F509500B-B](#) [827153-1](#) [8N1515-32-24P](#) [9-1326729-8](#) [925474-1](#) [928905-1](#) [964562-4](#) [968782-1](#) [GT17SA-8DS-](#)
[HU](#) [98891-1012](#) [98947-1016](#) [12004475-L](#) [12010290](#) [12010309-B](#) [12015454](#) [12020219-B](#) [12020308](#) [12041318-B](#) [12052225-L](#) [12052466](#)
[12059125](#) [12064869](#) [12004327-B](#) [12010503-B](#) [12015308](#) [12015384](#) [12015909](#) [1-21030-1](#) [12041254](#) [12041318](#) [12047946-B](#) [12047957](#)
[12047957-L](#) [12059473](#) [12066261](#) [12110546](#)