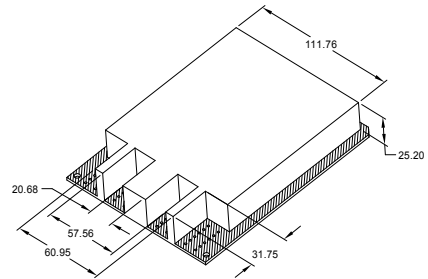
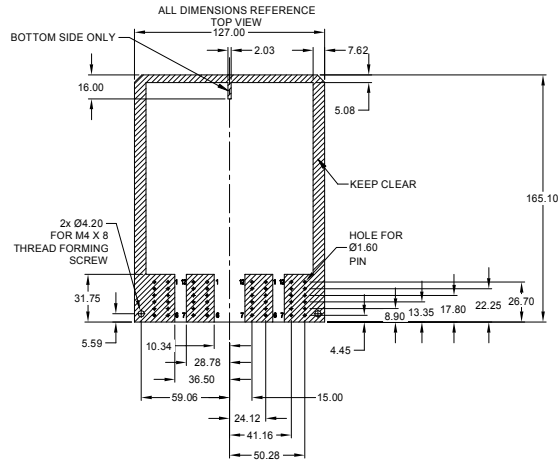


**CIRCUIT BOARD HOLE LOCATIONS**  
**LOCATIONS AND KEEP CLEAR AREAS FOR**  
**AREAS FOR**

AT13-12PA-R015, AT13-12PA-GR02  
 AT13-24PAB-BM03, AT13-24PAB-BM01  
 AT13-36PABC-BM03, AT13-36PABC-BM01  
 AT13-48PABCD-BM03, AT13-48PABCD-BM01  
 BOARD THICKNESS IN KEEP CLEAR ARE TO BE 2.36±0.1

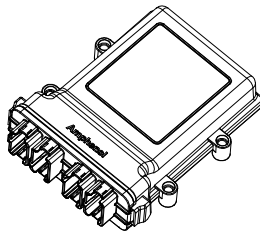
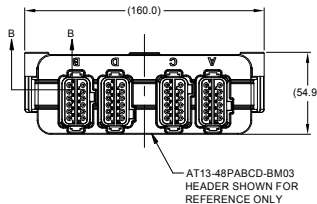
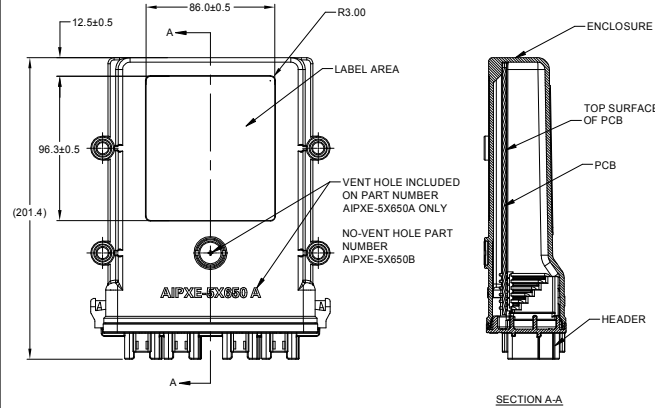
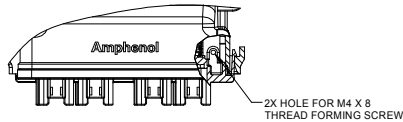


THREE DIMENSIONAL SPACE LIMIT  
 APPROXIMATE INTERNAL SPACE  
 FOR COMPONENT SPACE LAYOUT  
 MAX. COMPONENT HEIGHT UNDER BOARD 4.00 mm.

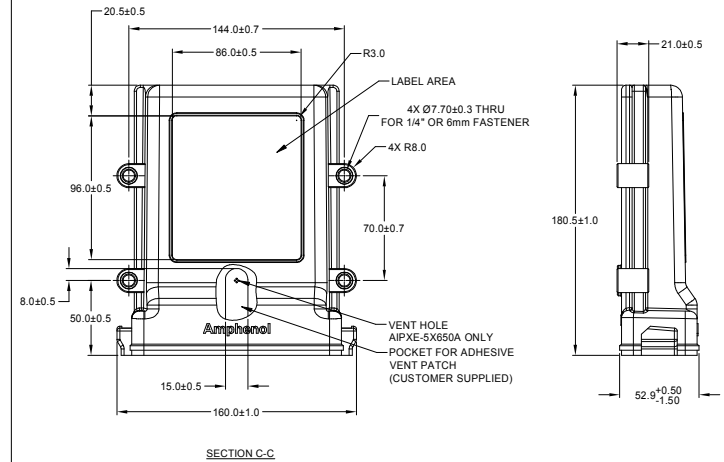
NOTES: UNLESS OTHERWISE SPECIFIED

- MATERIAL: NATURAL POLYCARBONATE
- THIS ENCLOSURE MATES WITH AT13-12P2-XXXX (EXCEPT AT13-12P2-BMXX) HEADERS (<sup>+</sup>=PIN ARR. 12, 24, 36, 48; <sup>+</sup>=KEY ARR. A, B, C, D).
- RoHS COMPLIANT
- ALL DIMENSIONS ARE FOR REFERENCE USE ONLY.

ASSEMBLED HEADER SHOWN FOR REFERENCE



REVISIONS					
REV	ECO	DESCRIPTION	DATE	BY	APPR
A1	-	NEW RELEASE	12DEC2019	ZENIN	TOMMY



PART NUMBER CHART	
VENT HOLE	PART NUMBER
WITH VENT HOLES	AIPXE-5X650A-E017
WITHOUT VENT HOLES	AIPXE-5X650B-E017

SEE PART NUMBER CHART		DESCRIPTION		ITEM
QUANTITY	PART NUMBER	MATERIALS LIST		
UNLESS OTHERWISE SPECIFIED				
1) All dimensions are in metric (mm).				
2) Tolerances are as follows:				
1 PL DEC ±0.30				
2 PL DEC ±0.15				
3 PL DEC ±0.08				
3) Note reference =				
SIGNATURES		DATE		
DRAWN: ZENIN DENG		12DEC19		
CHECKED: ORION LI		12DEC19		
ENGINEER:				
APPROVAL: TOMMY XIE		12DEC19		
CUSTOMER:				
MATERIAL SPECIFICATIONS:		THIS DRAWING IS SUPPLIED FOR INFORMATION ONLY. DESIGN FEATURES, SPECIFICATIONS AND PERFORMANCE DATA SHOWN HEREON ARE THE PROPERTY OF THE AMPHENOL CORPORATION. NO RIGHTS OF REPRODUCTION ARE IMPLIED. ALL DIMENSIONS ARE SUBJECT TO NORMAL MANUFACTURING VARIATIONS.		
PROCESS SPECIFICATIONS:		SIZE TYPE DWG NO. REVISION		
NEXT ASSY:		B C- AIPXE-5X650x-E017 A1		
		SCALE NONE SHEET 1 OF 1		

**Amphenol**  
 Sine Systems - www.amphenol-sine.com  
 44724 Morley Drive  
 Clinton Township, MI 48036

**ARMOR IPX PCB ENCLOSURE, 127x165mm PCB, SHOWN WITH 48 PIN HEADER**

TITLE: ARMOR IPX PCB ENCLOSURE, 127x165mm PCB SHOWN WITH 48PIN HEADER  
 DWG NO: AIPXE-5X650X-E017  
 REV: A1  
 SH: 1  
 OF: 1

## X-ON Electronics

Largest Supplier of Electrical and Electronic Components

*Click to view similar products for [Automotive Connectors](#) category:*

*Click to view products by [Amphenol](#) manufacturer:*

Other Similar products are found below :

[003-018-000](#) [60403001](#) [60993906-B](#) [M902-2131](#) [M902-2161](#) [72.330.1035.1](#) [73.353.4028.0](#) [F119300-B](#) [F166900](#) [F258300-B](#) [F358300-B](#)  
[F407400](#) [F444110](#) [F487000](#) [F509500B-B](#) [827153-1](#) [8N1515-32-24P](#) [9-1326729-8](#) [925474-1](#) [928905-1](#) [964562-4](#) [968782-1](#) [GT17SA-8DS-](#)  
[HU](#) [98891-1012](#) [98947-1016](#) [12004475-L](#) [12010290](#) [12010309-B](#) [12015454](#) [12020219-B](#) [12020308](#) [12041318-B](#) [12052225-L](#) [12052466](#)  
[12059125](#) [12064869](#) [12004327-B](#) [12010503-B](#) [12015308](#) [12015384](#) [12015909](#) [1-21030-1](#) [12041254](#) [12041318](#) [12047946-B](#) [12047957](#)  
[12047957-L](#) [12059473](#) [12066261](#) [12110546](#)