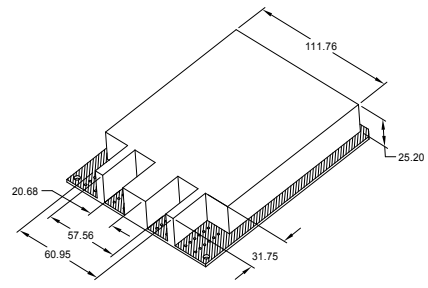
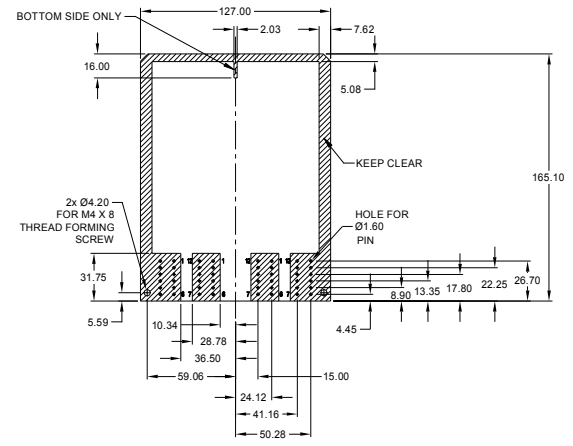


**CIRCUIT BOARD HOLE LOCATIONS
AND KEEP CLEAR AREAS FOR**
 AT13-12PA-R015, AT13-12PA-GR02
 AT13-24PAB-BM03, AT13-24PAB-BM01
 AT13-36PABC-BM03, AT13-36PABC-BM01
 AT13-48PABCD-BM03, AT13-48PABCD-BM01
 BOARD THICKNESS IN KEEP CLEAR ARE TO BE 2.36±0.1

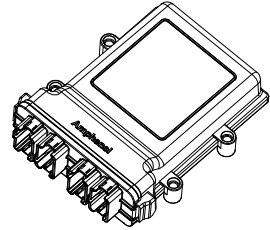
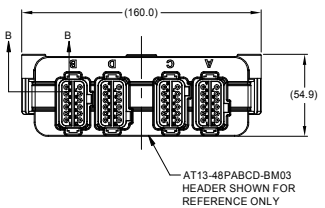
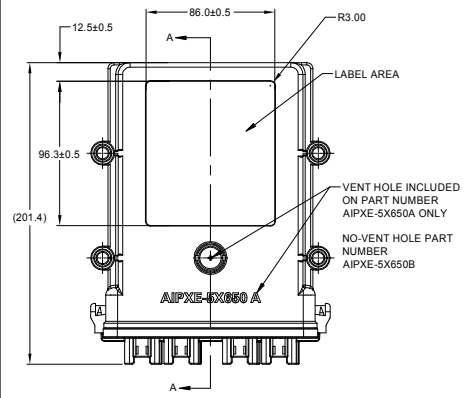
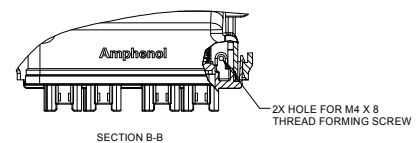
ALL DIMENSIONS REFERENCE
TOP VIEW



THREE DIMENSIONAL SPACE LIMIT
APPROXIMATE INTERNAL SPACE
FOR COMPONENT SPACE LAYOUT
MAX. COMPONENT HEIGHT UNDER BOARD 4.00 mm.

- NOTES: UNLESS OTHERWISE SPECIFIED
- MATERIAL: NYLON BLACK
 - THIS ENCLOSURE MATES WITH AT13-12P2-XXXX (EXCEPT AT13-12P2-BMXX) HEADERS (#1=PIN ARR. 12, 24, 36, 48; #2=KEY ARR. A, B, C, D).
 - RoHS COMPLIANT
 - ALL DIMENSIONS ARE FOR REFERENCE USE ONLY.

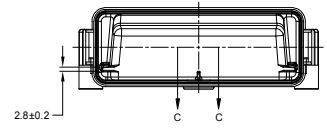
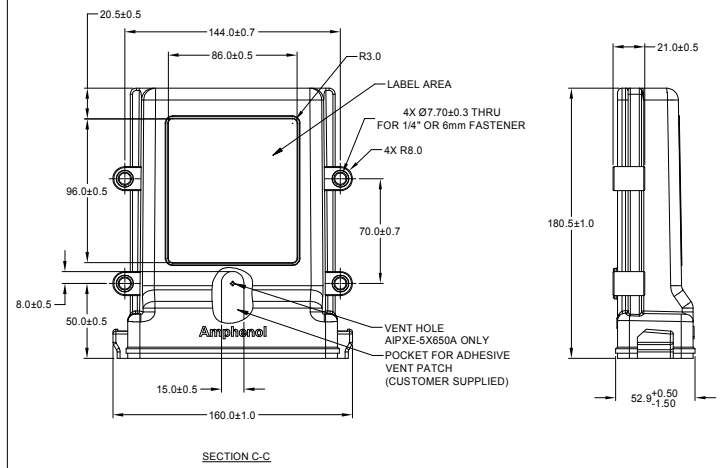
ASSEMBLED HEADER SHOWN FOR REFERENCE



3D VIEW
AT13-48PABCD-BM03 AND AT13-48PABCD-BM01
HEADER AND MOUNTING
HARDWARE SHOWN FOR REFERENCE ONLY

REVISIONS

REV	ECO	DESCRIPTION	DATE	BY	APPR
A1	-	NEW RELEASE	12DEC2019	ZENIN	TOMMY



VENT HOLE	PART NUMBER
WITH VENT HOLES	AIPXE-5X650A
WITHOUT VENT HOLES	AIPXE-5X650B

SEE PART NUMBER CHART	REFERENCE: EEC-5X650A EEC-5X650B	
PART NUMBER	DESCRIPTION	ITEM
QUANTITY	MATERIALS LIST	
UNLESS OTHERWISE SPECIFIED	SIGNATURES	DATE
1) All dimensions are in metric (mm).	DRAWN: ZENIN DENG	12DEC19
2) Tolerances are as follows:	CHECKED: ORION LI	12DEC19
1 PL DEC ±0.30	ENGINEER:	
2 PL DEC ±0.15	APPROVAL: TOMMY XIE	12DEC19
3 PL DEC ±0.08	CUSTOMER:	
3) Note reference =		
MATERIAL SPECIFICATIONS:	THIS DRAWING IS SUPPLIED FOR INFORMATION ONLY. DESIGN FEATURES, SPECIFICATIONS AND PERFORMANCE DATA SHOWN HEREON ARE THE PROPERTY OF THE AMPHENOL CORPORATION. NO RIGHTS OF REPRODUCTION ARE IMPLIED. ALL DIMENSIONS ARE SUBJECT TO NORMAL MANUFACTURING VARIATIONS.	
PROCESS SPECIFICATIONS:	SIZE TYPE DWG NO. REVISION	
NEXT ASSY:	B C-	AIPXE-5X650x A1
	SCALE NONE	SHEET 1 OF 1

Amphenol
 Sine Systems - www.amphenol-sine.com
 44724 Morley Drive
 Clinton Township, MI 48036

ARMOR IPX PCB ENCLOSURE, 127x165mm PCB,
SHOWN WITH 48 PIN HEADER

TITLE: ARMOR IPX PCB ENCLOSURE, 127x165mm PCB SHOWN WITH 48 PIN HEADER
 DWG NO.: AIPXE-5X650X
 REV: A1
 SH: 1
 OF: 1

X-ON Electronics

Largest Supplier of Electrical and Electronic Components

Click to view similar products for [Automotive Connectors](#) category:

Click to view products by [Amphenol](#) manufacturer:

Other Similar products are found below :

[003-018-000](#) [60403001](#) [60993906-B](#) [M902-2131](#) [M902-2161](#) [72.330.1035.1](#) [73.353.4028.0](#) [F119300-B](#) [F166900](#) [F258300-B](#) [F358300-B](#)
[F407400](#) [F444110](#) [F487000](#) [F509500B-B](#) [827153-1](#) [8N1515-32-24P](#) [9-1326729-8](#) [925474-1](#) [928905-1](#) [964562-4](#) [968782-1](#) [GT17SA-8DS-](#)
[HU](#) [98891-1012](#) [98947-1016](#) [12004475-L](#) [12010290](#) [12010309-B](#) [12015454](#) [12020219-B](#) [12020308](#) [12041318-B](#) [12052225-L](#) [12052466](#)
[12059125](#) [12064869](#) [12004327-B](#) [12010503-B](#) [12015308](#) [12015384](#) [12015909](#) [1-21030-1](#) [12041254](#) [12041318](#) [12047946-B](#) [12047957](#)
[12047957-L](#) [12059473](#) [12066261](#) [12110546](#)