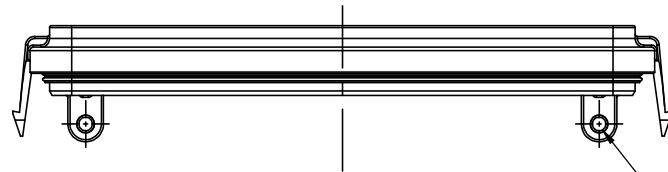
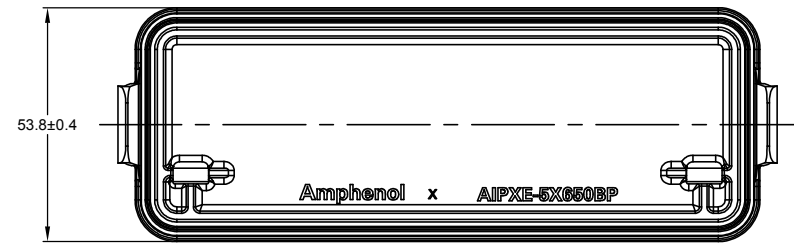
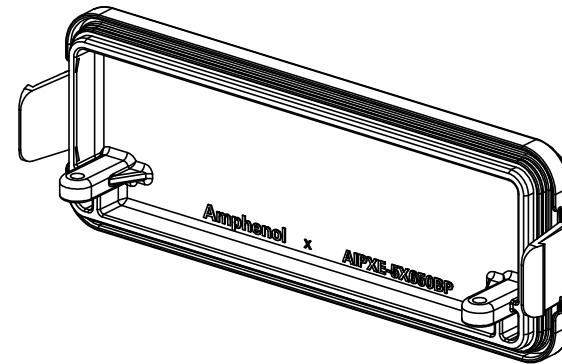
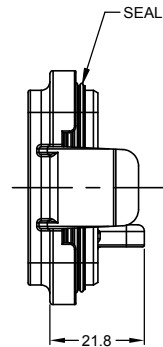
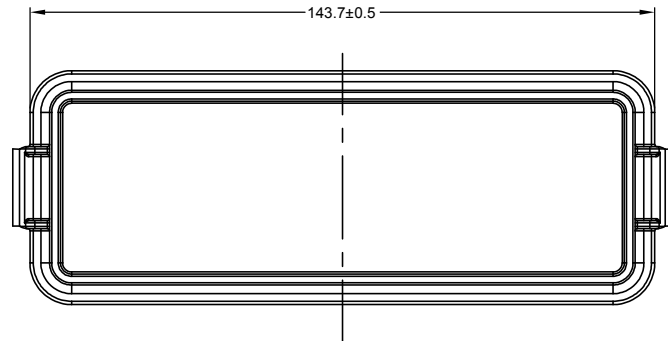
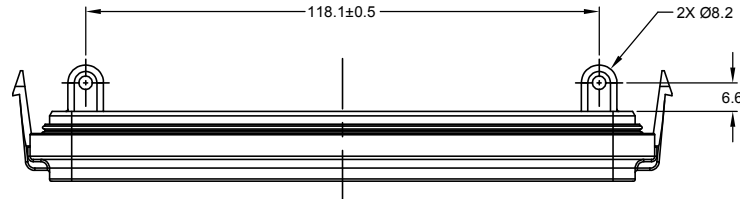


REVISIONS					
REV	ECO	DESCRIPTION	DATE	BY	APPR
A1	-	NEW RELEASE	28APR2020	ZENIN	TOMMY



2X Ø3.18±0.12 HOLE
RECOMMENDED SCREW [M4.0X8.0]
THREAD-FORMING SCREW,
TORQUE:10-20IN-LB [1.13-2.25N-m]

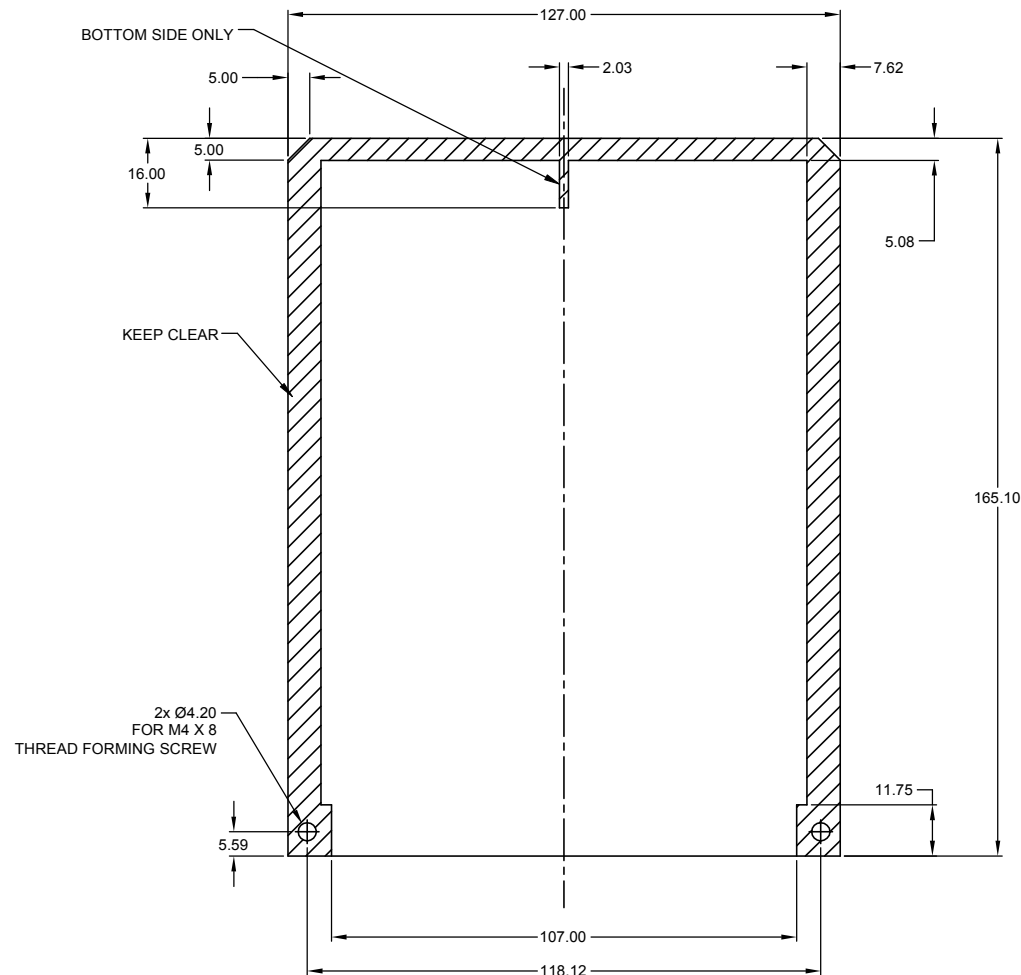
NOTES: UNLESS OTHERWISE SPECIFIED

- MATERIAL: THERMOPLASTIC, BLACK
- MODIFICATIONS: BLANK PLATE
- SPECIFICATIONS:
 - OPERATING TEMPERATURE: -55°C TO +125°C
 - INSULATION RESISTANCE: 1000 MEGOHMS MIN @ 25°C
 - MOISTURE RESISTANCE: IP67 (MATED CONDITION)
 - RoHS COMPLIANT
- THIS PRODUCT IS USED WITH AIPXE-5X650A-XXXX AND AIPXE-5X650B-XXXX ENCLOSURE (XXXX= ALL MODIFICATIONS)
- ALL DIMENSIONS ARE FOR REFERENCE USE ONLY

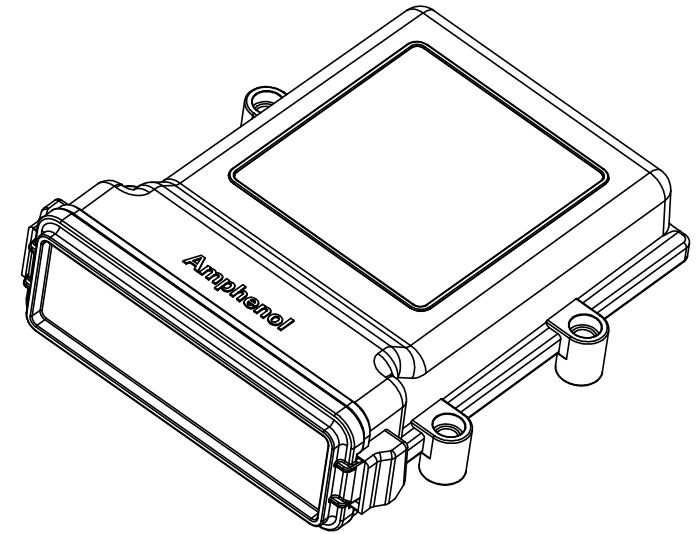
TITLE: ARMOR PLANK PLATE FOR AT
DWG NO: AIPXE-5X650BP-01
REV: A1
SH: 1
OF: 2

AIPXE-5X650BP-01		DESCRIPTION		ITEM
QUANTITY	PART NUMBER	MATERIALS LIST		
UNLESS OTHERWISE SPECIFIED 1) All dimensions are in metric(mm). 2) Tolerances are as follows: 1 PL DEC ±0.30 2 PL DEC ±0.15 3 PL DEC ±0.08 Fractions ±1/64 Angles ±1°		SIGNATURES		DATE
DRAWN: ZENIN.DENG		28/APR/20		Amphenol Sine Systems - www.amphenol-sine.com 44724 Morley Drive Clinton Township, MI 48036 ARMOR IPX, BLANK PLATE FOR AT
CHECKED: ORION.LI		28/APR/20		
ENGINEER:				
APPROVAL: TOMMY.XIE		30/APR/20		
MATERIAL SPECIFICATIONS:		CUSTOMER:		SIZE TYPE DWG NO: B C- AIPXE-5X650BP-01 REVISION A1 SCALE NONE SHEET 1 OF 2
PROCESS SPECIFICATIONS:		THIS DRAWING IS SUPPLIED FOR INFORMATION ONLY. DESIGN FEATURES, SPECIFICATIONS AND PERFORMANCE DATA SHOWN HEREON ARE THE PROPERTY OF THE AMPHENOL CORPORATION. NO RIGHTS OF REPRODUCTION ARE IMPLIED. ALL DIMENSIONS ARE SUBJECT TO NORMAL MANUFACTURING VARIATIONS.		
NEXT ASSY:				

REVISIONS					
REV	ECO	DESCRIPTION	DATE	BY	APPR
A1	-	NEW RELEASE	28APR2020	ZENIN	TOMMY



CIRCUIT BOARD HOLE LOCATIONS AND KEEP CLEAR AREAS
 BOARD THICKNESS IN KEEP CLEAR ARE TO BE 2.36±0.1
 MAX. COMPONENT HEIGHT UPSIDE BOARD 25.20 mm.
 MAX. COMPONENT HEIGHT UNDER BOARD 4.00 mm.
 ALL DIMENSIONS REFERENCE
 TOP VIEW



3D VIEW
 AIPXE-5X650A-XXXX AND
 AIPXE-5X650B-XXXX ENCLOSURE AND
 MOUNTING HARDWARE SHOWN FOR REFERENCE

AIPXE-5X650BP-01		DESCRIPTION		ITEM
QUANTITY	PART NUMBER	MATERIALS LIST		
UNLESS OTHERWISE SPECIFIED		SIGNATURES		DATE
1) All dimensions are in metric(mm).		DRAWN: ZENIN,DENG	28/APR/20	
2) Tolerances are as follows:		CHECKED: ORION,LI	28/APR/20	
1 PL DEC ±0.30		ENGINEER:		
2 PL DEC ±0.15		APPROVAL: TOMMY,XIE	30/APR/20	
3 PL DEC ±0.08		CUSTOMER:		
3) Note reference =		THIS DRAWING IS SUPPLIED FOR INFORMATION ONLY. DESIGN FEATURES, SPECIFICATIONS AND PERFORMANCE DATA SHOWN HEREON ARE THE PROPERTY OF THE AMPHENOL CORPORATION. NO RIGHTS OF REPRODUCTION ARE IMPLIED. ALL DIMENSIONS ARE SUBJECT TO NORMAL MANUFACTURING VARIATIONS.		
PROCESS SPECIFICATIONS:		SIZE	TYPE	DWG NO.
NEXT ASSY:		B	C-	AIPXE-5X650BP-01
		SCALE	NONE	REVISION
				A1
				SHEET 2 OF 2

TITLE: ARMOR IPX BLANK PLATE FOR AT
 DWG NO: AIPXE-5X650BP-01
 REV: A1
 SH: 2
 OF: 2

X-ON Electronics

Largest Supplier of Electrical and Electronic Components

Click to view similar products for [Automotive Connectors](#) category:

Click to view products by [Amphenol](#) manufacturer:

Other Similar products are found below :

[003-018-000](#) [60403001](#) [60993906-B](#) [M902-2131](#) [M902-2161](#) [72.330.1035.1](#) [73.353.4028.0](#) [F119300-B](#) [F166900](#) [F258300-B](#) [F358300-B](#)
[F407400](#) [F444110](#) [F487000](#) [F509500B-B](#) [827153-1](#) [8N1515-32-24P](#) [9-1326729-8](#) [925474-1](#) [928905-1](#) [964562-4](#) [968782-1](#) [GT17SA-8DS-](#)
[HU](#) [98891-1012](#) [98947-1016](#) [12004475-L](#) [12010290](#) [12010309-B](#) [12015454](#) [12020219-B](#) [12020308](#) [12041318-B](#) [12052225-L](#) [12052466](#)
[12059125](#) [12064869](#) [12004327-B](#) [12010503-B](#) [12015308](#) [12015384](#) [12015909](#) [1-21030-1](#) [12041254](#) [12041318](#) [12047946-B](#) [12047957](#)
[12047957-L](#) [12059473](#) [12066261](#) [12110546](#)