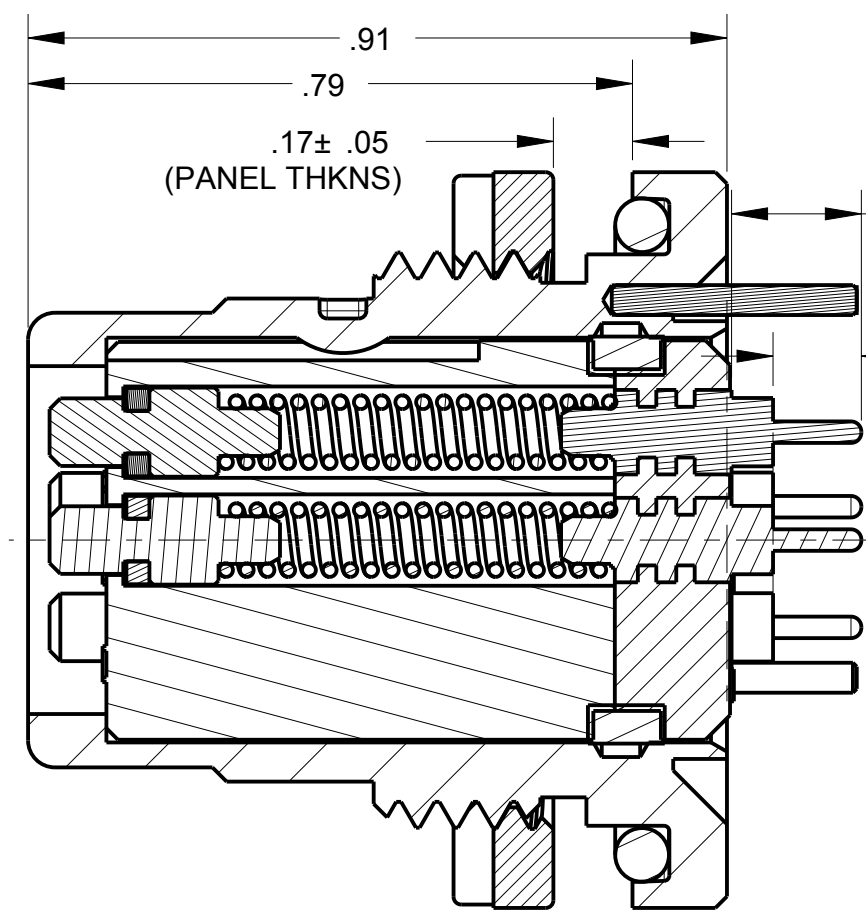
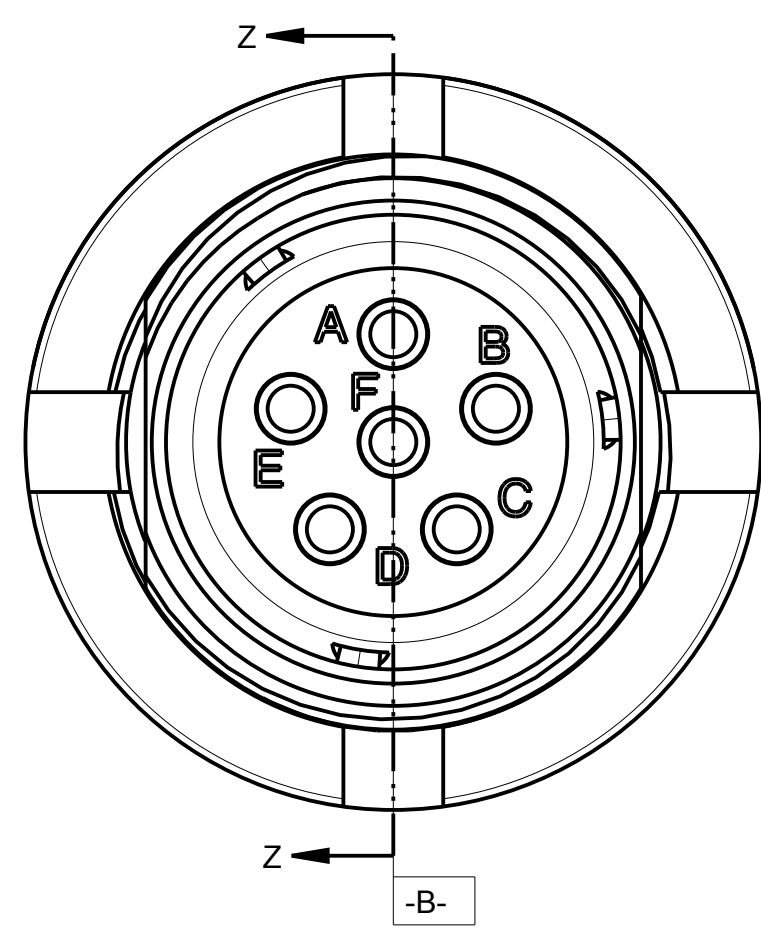
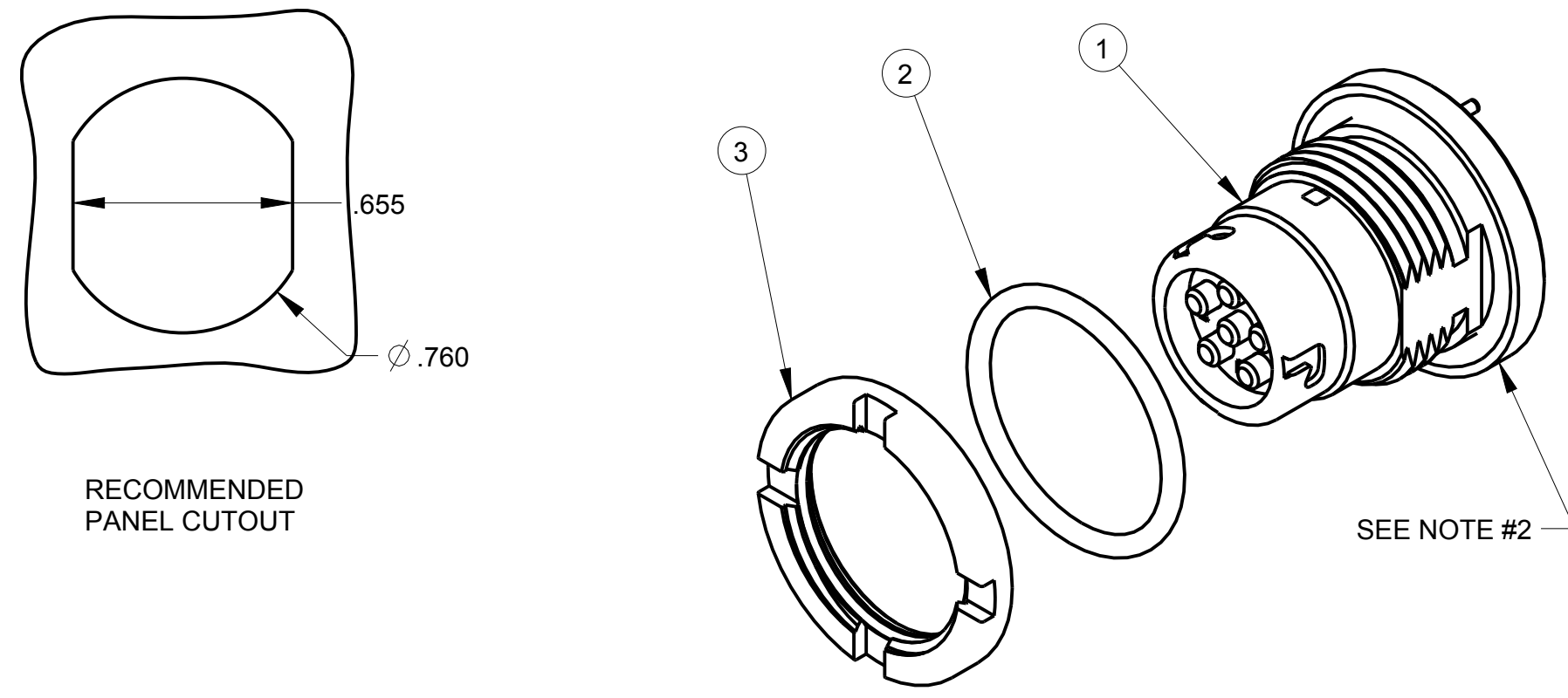


ITEM #	PART #	QTY	DESCRIPTION
1	SEE TABLE #1	1	6-CONDUCTOR PM W/PC TAILS
2	AP-136-36	1	O-RING
3	AJ-146-12	1	NUT

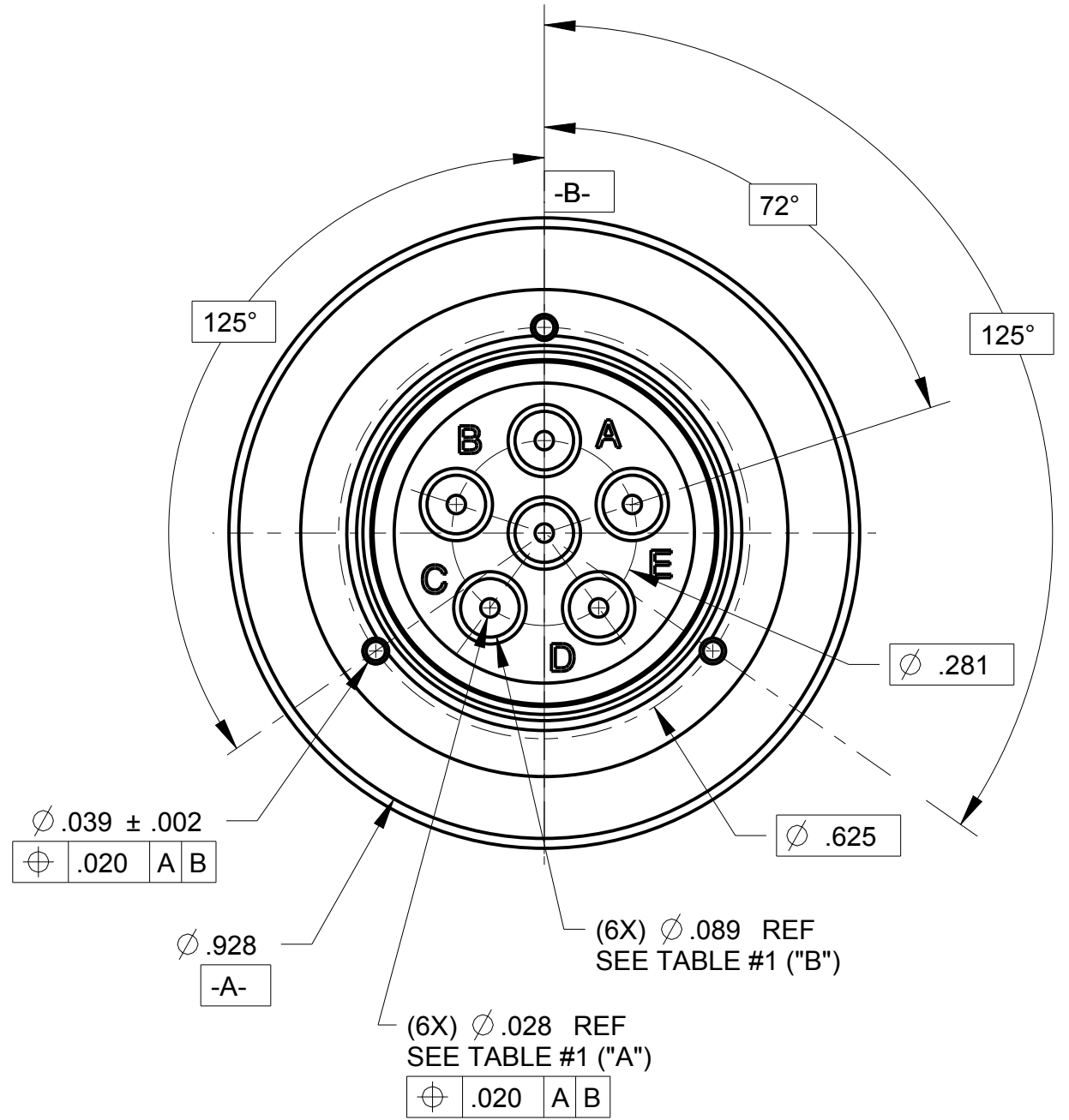
NOTES:  
 1) CONNECTOR IS QUALIFIED TO MIL-DTL-55116.  
 2) COMPANY NAME & PART NUMBER  
 3) ORDER PART # AS SHOWN IN TABLE #1

C AJ-146PCG-CP

TABLE #1					
PART #	JACK BODY	∅ "A" ± .002	∅ "B"	"C"	"D"
AJ-146PCG/1	AJ-146PCG-10A	.040	.089	.115	.169
AJ-146PCG/2	AJ-146PCG-10B	.040	----	----	.437
AJ-146PCG/3	AJ-146PCG-10C	.028	.089	.188	.590
AJ-146PCG/4	AJ-146PCG-10D	.028	.089	.125	.194
AJ-146PCG/5	AJ-146PCG-10E	.028	.089	.218	.257
AJ-146PCG/6	AJ-146PCG-10F	.040	----	----	.110
AJ-146PCG/7	AJ-146PCG-10G	.028	.089	.150	.437
AJ-146PCG/8	AJ-146PCG-10H	.030	----	----	.120
AJ-146PCG/9	AJ-146PCG-10J	.028	.089	.140	.390
AJ-146PCG/10	AJ-146PCG-10K	.040	----	----	.744
AJ-146PCG/11	AJ-146PCG-10L	.030	----	----	.594
----	----	----	----	----	----
AJ-146PCG/13	AJ-146PCG-10N	.040	----	----	.900



SECTION Z-Z  
SCALE 4.000



THIS DOCUMENT CONTAINS PROPRIETARY INFORMATION OF NEXUS, INCORPORATED AND SUCH INFORMATION MAY NOT BE DISCLOSED TO OTHERS FOR ANY PURPOSE OR USED FOR ANY PURPOSE WITHOUT THE WRITTEN CONSENT OF NEXUS.

DWN. BY: HR		DATE: Nov-03-14		MATERIAL	
CHECKED BY:		DATE:		FINISH	
APPR. BY:		DATE:		WEIGHT: _____ SCALE = 4.00 :1	
UNLESS OTHERWISE SPECIFIED DIMENSIONS ARE IN INCHES & OR (mm)		TOLERANCES:		TITLE: JACK 6 PIN PM WITH PC TAILS	
DECIMAL:		FRACTION:		DO NOT SCALE DWG. SHEET 1 OF 1	
±.XX(X.X) ±.XXX(X.XX) ±.XXXX(X.XXX)		±.0X(X.X) ±.00X(X.XX) ±.000X(X.XXX)		NEXUS STAMFORD, CONN.	
FRACTION: ±X/XX ±X/XX		ANGLES: ±X° ±X°		SIZE: C DWG. NO. AJ-146PCG-CP	
B	ADD: TABLE #1	11/3 2014	HR		
A	NEW RELEASE	10/2 2014	HR		
LET.	REVISION	CN #	DATE	CHK	

## X-ON Electronics

Largest Supplier of Electrical and Electronic Components

*Click to view similar products for [Phone Connectors](#) category:*

*Click to view products by [Amphenol](#) manufacturer:*

Other Similar products are found below :

[M444B](#) [6J1041A](#) [R4F](#) [E12BPKG](#) [ECP4PKG](#) [161-3502L-E](#) [MT333X](#) [171-0350-EX](#) [171-101A-EX](#) [171-3325-EX](#) [176S](#) [NC3MG-V](#)  
[NYS228G](#) [P10834](#) [P2380](#) [P2381X](#) [P2411X](#) [P2412](#) [P2724](#) [JM2PB-AU BULK](#) [9144](#) [S2674](#) [280L](#) [163-156N-2-E](#) [163-158N-2-E](#) [171-3308-](#)  
[EX](#) [171-3500-E](#) [2501FT](#) [CMT335](#) [M10662](#) [330Q](#) [RJ5VI-S](#) [40116](#) [TM1R-AU](#) [TM2PBMJ-AU](#) [TM2PJ-AU](#) [TM2PJ-AU BULK](#) [4803.1351](#)  
[49201](#) [49205](#) [TS3PBJ-AU](#) [TS3PBMJ-AU](#) [TT32BX](#) [54B](#) [40112](#) [40205](#) [XMT332B](#) [52170017-331](#) [570](#) [NM3](#)