

ITEM #	PART #	QTY	DESCRIPTION
1	SEE TABLE #1	1	6-CONDUCTOR PM W/PC TAILS
2	AP-136-36	1	O-RING
3	AJ-146-12	1	NUT

NOTES:
 1) CONNECTOR IS QUALIFIED TO MIL-DTL-55116.
 2) COMPANY NAME & PART NUMBER
 3) ORDER PART # AS SHOWN IN TABLE #1

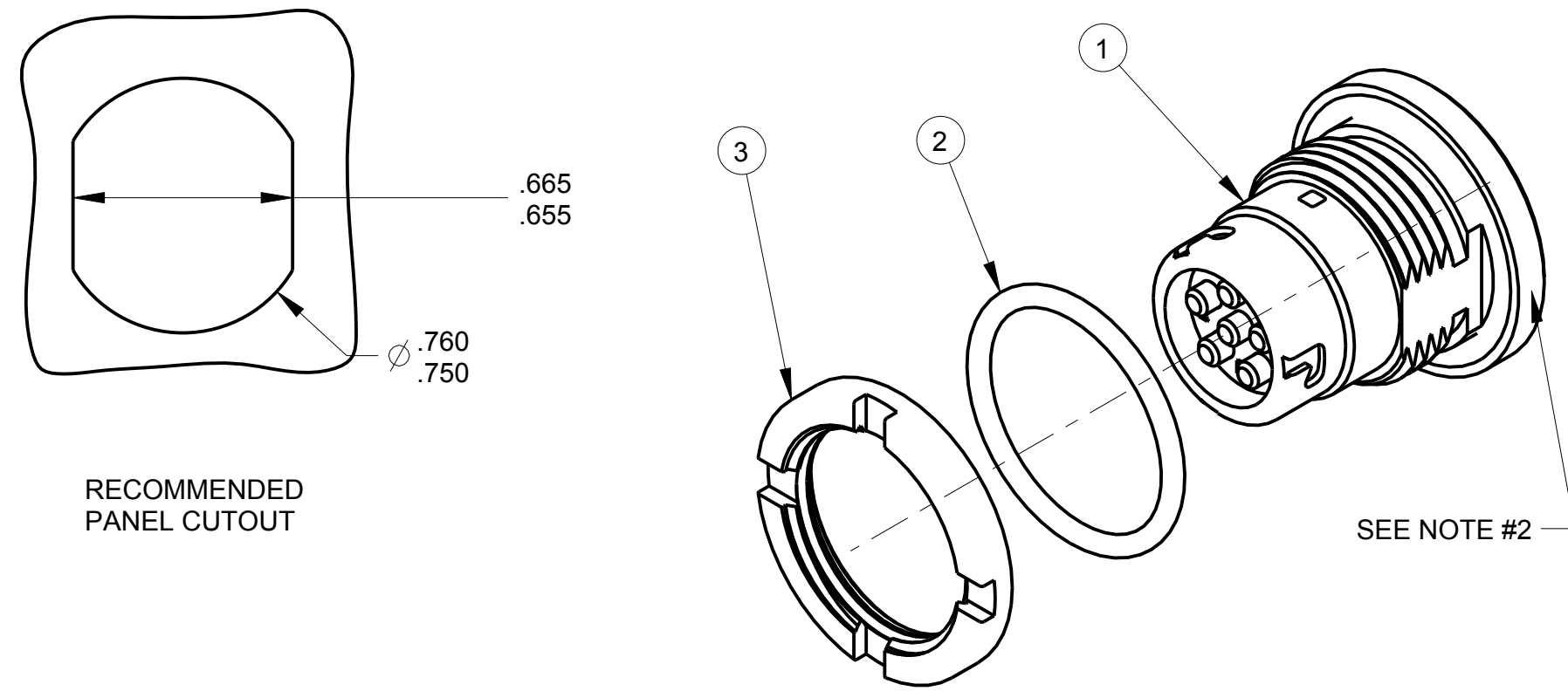
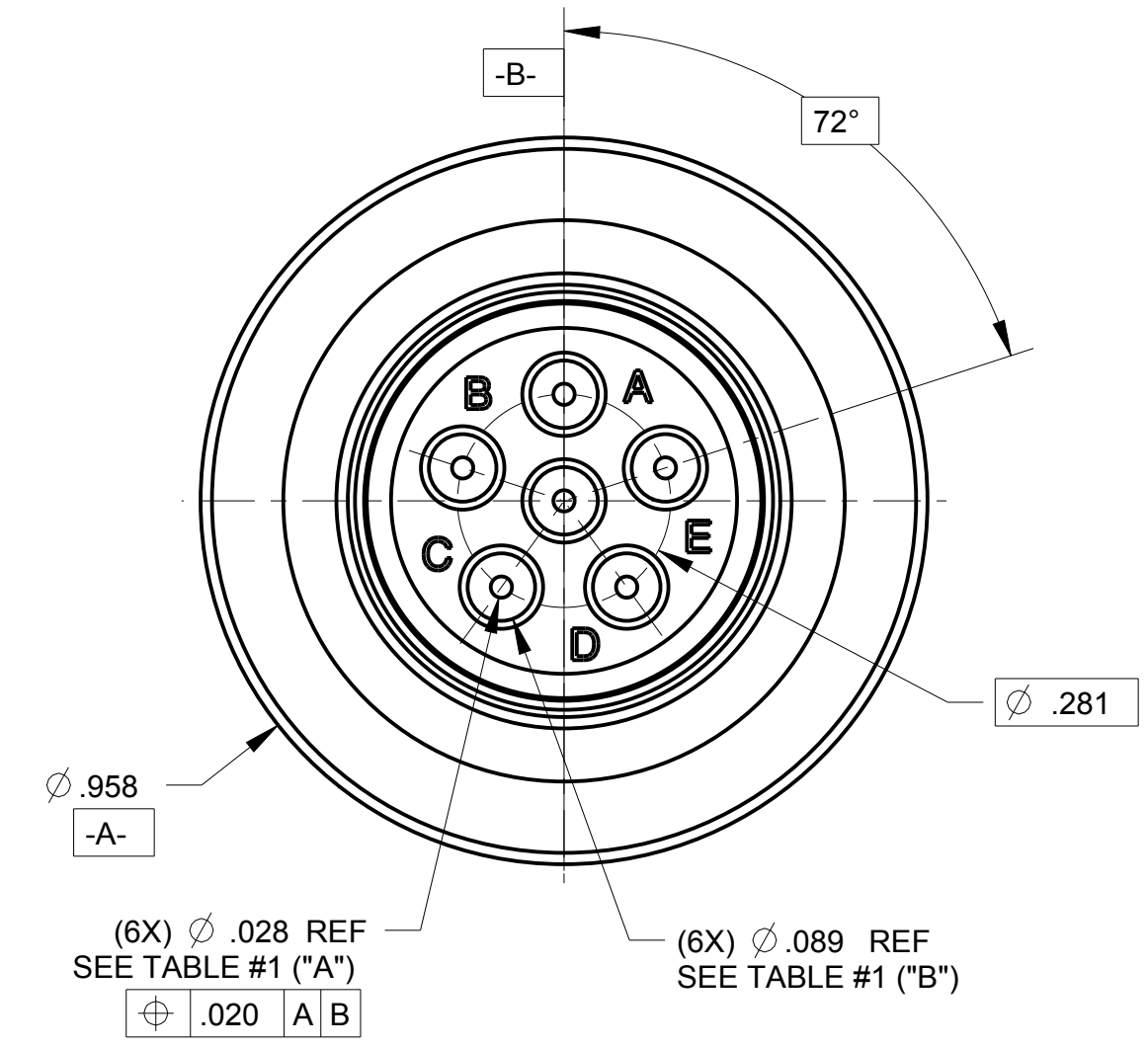
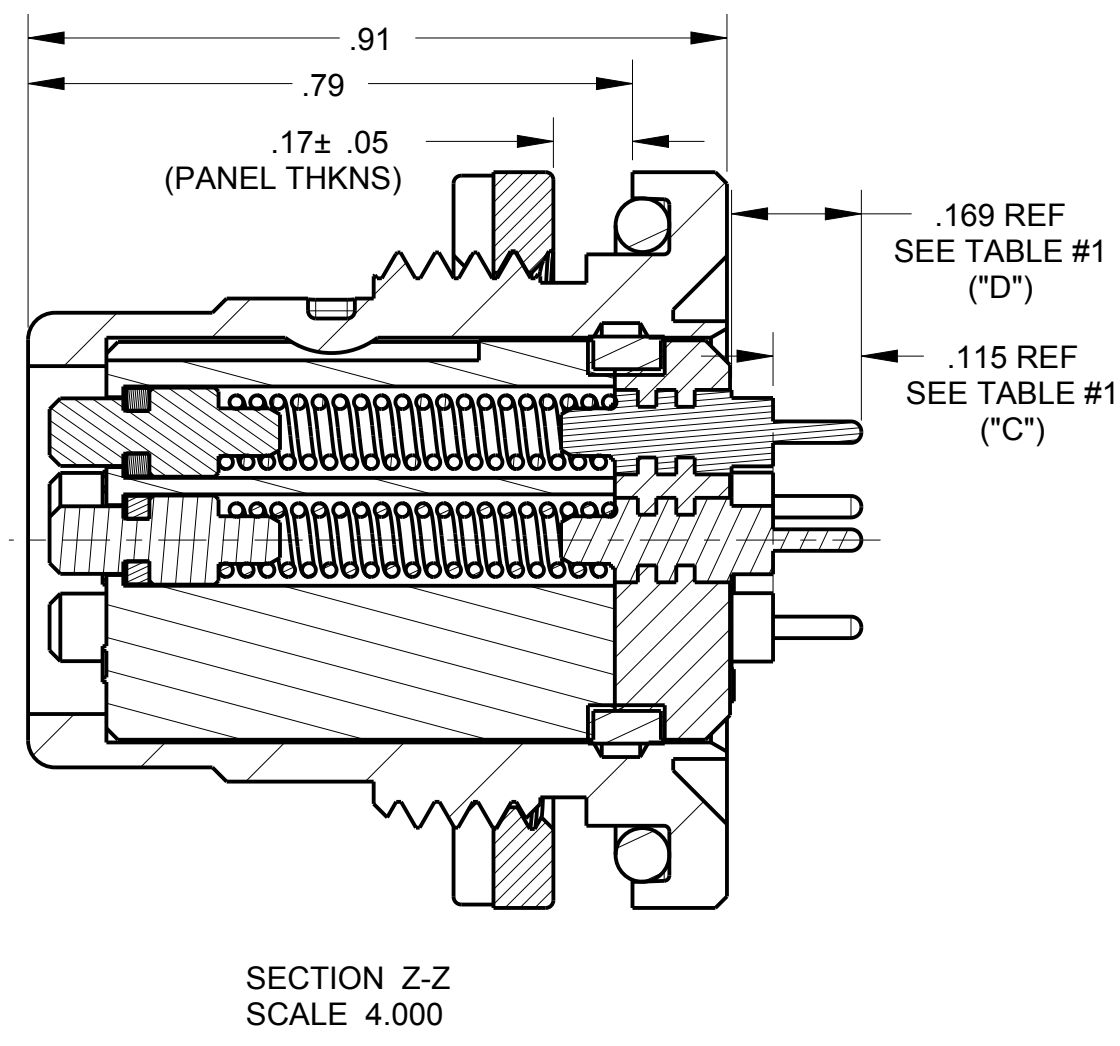
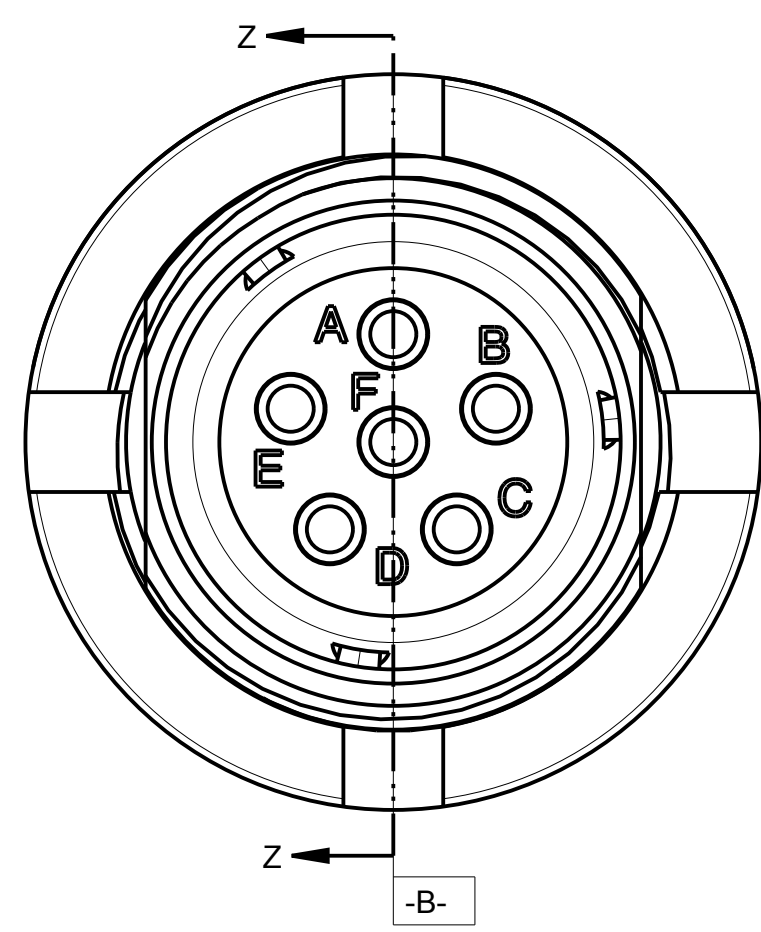


TABLE #1					
PART #	JACK BODY	Ø "A" ± .002	Ø "B"	"C"	"D"
AJ-146RMPC/1	AJ-146RMPC-10A	.040	.089	.115	.169
AJ-146RMPC/2	AJ-146RMPC-10B	.040	----	----	.437
AJ-146RMPC/3	AJ-146RMPC-10C	.028	.089	.188	.590
AJ-146RMPC/4	AJ-146RMPC-10D	.028	.089	.125	.194
AJ-146RMPC/5	AJ-146RMPC-10E	.028	.089	.218	.257
AJ-146RMPC/6	AJ-146RMPC-10F	.040	----	----	.110
AJ-146RMPC/7	AJ-146RMPC-10G	.028	.089	.150	.437
AJ-146RMPC/8	AJ-146RMPC-10H	.030	----	----	.120
AJ-146RMPC/9	AJ-146RMPC-10J	.028	.089	.140	.390
AJ-146RMPC/10	AJ-146RMPC-10K	.040	----	----	.744
AJ-146RMPC/11	AJ-146RMPC-10L	.030	----	----	.594
----	----	----	----	----	----
AJ-146RMPC/13	AJ-146RMPC-10N	.040	----	----	.900



THIS DOCUMENT CONTAINS PROPRIETARY INFORMATION OF NEXUS, INCORPORATED AND SUCH INFORMATION MAY NOT BE DISCLOSED TO OTHERS FOR ANY PURPOSE OR USED FOR ANY PURPOSE WITHOUT THE WRITTEN CONSENT OF NEXUS.

DWN.BY HR		DATE Nov-03-14		MATERIAL	
CHECKED BY		DATE		FINISH	
APPR.BY		DATE		WEIGHT _____ SCALE = 4.00 :1	
UNLESS OTHERWISE SPECIFIED DIMENSIONS ARE IN INCHES & OR (mm)				TITLE	
TOLERANCES:				JACK 6 PIN PM WITH PC TAILS	
DECIMAL:				STAMFORD, CONN	
±.XX[X.X] ±.XXX[X.XX] ±.XXXX[X.XXX]				SIZE DWG. NO.	
±.0X[0.X] ±.00X[0.0X] ±.000X[0.0XX]				C AJ-146RMPC-CP	
FRACTION: ±X/XX ±X/XX				DO NOT SCALE DWG. SHEET 1 OF 1	
ANGLES: ±X° ±X°					

LET.	REVISION	CN #	DATE	CHK
A	NEW PROPOSAL		2/4 2015	HR

X-ON Electronics

Largest Supplier of Electrical and Electronic Components

Click to view similar products for [Phone Connectors](#) category:

Click to view products by [Amphenol](#) manufacturer:

Other Similar products are found below :

[M444B](#) [6J1041A](#) [R4F](#) [E12BPKG](#) [ECP4PKG](#) [161-3502L-E](#) [MT333X](#) [171-0350-EX](#) [171-101A-EX](#) [171-3325-EX](#) [176S](#) [NC3MG-V](#)
[NYS228G](#) [P10834](#) [P2380](#) [P2381X](#) [P2411X](#) [P2412](#) [P2724](#) [JM2PB-AU BULK](#) [9144](#) [S2674](#) [280L](#) [163-156N-2-E](#) [163-158N-2-E](#) [171-3308-](#)
[EX](#) [171-3500-E](#) [2501FT](#) [CMT335](#) [M10662](#) [330Q](#) [RJ5VI-S](#) [40116](#) [TM1R-AU](#) [TM2PBMJ-AU](#) [TM2PJ-AU](#) [TM2PJ-AU BULK](#) [4803.1351](#)
[49201](#) [49205](#) [TS3PBJ-AU](#) [TS3PBMJ-AU](#) [TT32BX](#) [54B](#) [40112](#) [40205](#) [XMT332B](#) [52170017-331](#) [570](#) [NM3](#)