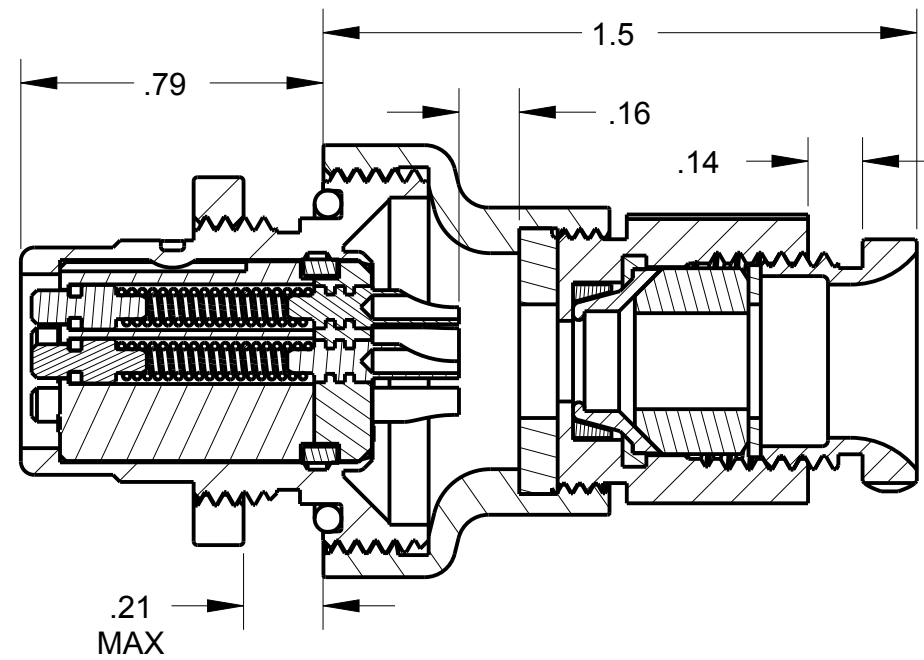
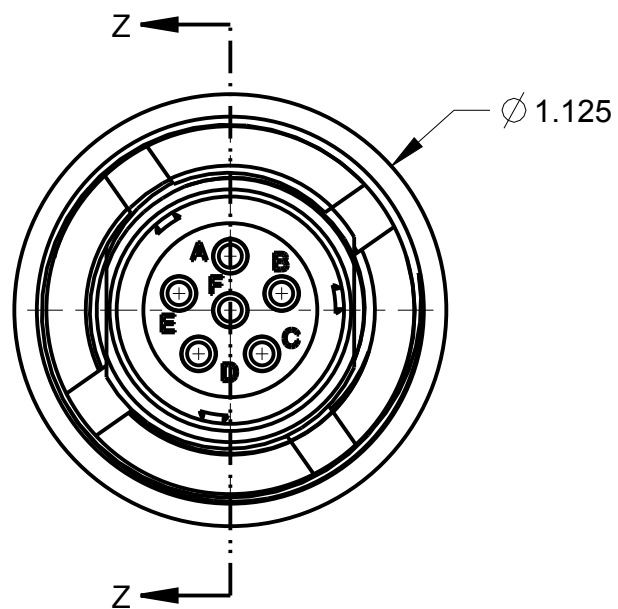
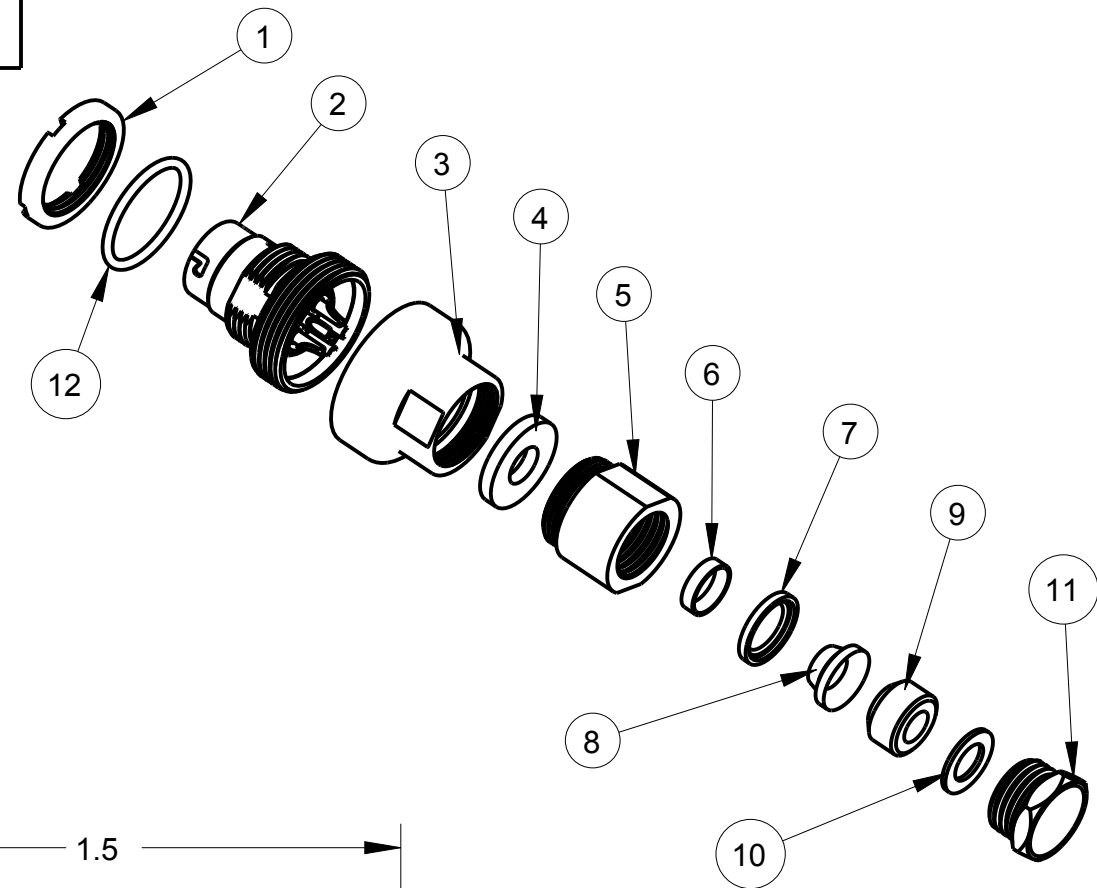
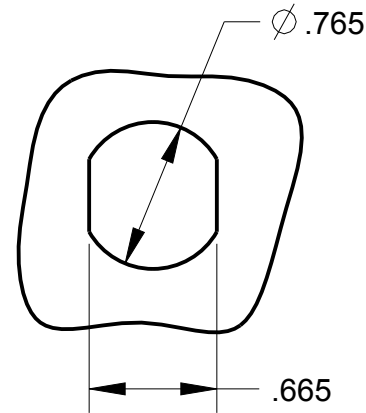


ITEM #	PART #	QTY	DESCRIPTION
1	AJ-146-12	1	NUT, PM-AJ14X
2	AJ-146SR-3	1	JACK, 6-PIN SOLDER CUP
3	AJ-146SR-2	1	NUT, CONNECTING ADAPTER
4	AP-116-3	1	WASHER, RUBBER
5	AP-136-4	1	NUT, ADAPTER
6	AP-136-6	1	CLAMP, OUTER SHELL
7	AP-136-7	1	GASKET
8	AP-136-5	1	CLAMP, SHIELD INNER
9	AP-116-8	1	BUSHING
10	AP-116-2	1	WASHER
11	AP-116-6	1	STUD
12	AP-136-36	1	O-RING

B AJ-146SR-CP



SECTION Z-Z

THIS DOCUMENT CONTAINS PROPRIETARY INFORMATION OF NEXUS, INCORPORATED AND SUCH INFORMATION MAY NOT BE DISCLOSED TO OTHERS FOR ANY PURPOSE OR USED FOR ANY PURPOSE WITHOUT THE WRITTEN CONSENT OF NEXUS.

ORDERING PART #: AJ-146SR

LET.	REVISION	CN #	DATE	CHK.
A	NEW RELEASE		9/1 2015	HR

DWN.BY HR	DATE 22-Feb-11	MATERIAL	
CHECKED BY	DATE	FINISH	
APPR.BY	DATE	WEIGHT —	SCALE = 1.00 :1
UNLESS OTHERWISE SPECIFIED: DIMENSIONS ARE IN INCHES &/OR (mm)		NEXUS STAMFORD, CONN	
TOLERANCES:			
DECIMAL: .XX[X.X] .XXX[X.XX] ± .01[0.3] ± .003[0.08]			
FRACTION: X/X ± 1/64		TITLE JACK 6-PIN SOLDER CUP PROPOSAL DWG	
ANGLES: X ± .5°		DO NOT SCALE DWG.	SHEET 1 OF 1
		SIZE B	DWG. NO. AJ-146SR-CP

X-ON Electronics

Largest Supplier of Electrical and Electronic Components

Click to view similar products for [Phone Connectors](#) category:

Click to view products by [Amphenol](#) manufacturer:

Other Similar products are found below :

[M444B](#) [6J1041A](#) [R4F](#) [E12BPKG](#) [ECP4PKG](#) [161-3502L-E](#) [MT333X](#) [171-0350-EX](#) [171-101A-EX](#) [171-3325-EX](#) [176S](#) [NC3MG-V](#)
[NYS228G](#) [P10834](#) [P2380](#) [P2381X](#) [P2411X](#) [P2412](#) [P2724](#) [JM2PB-AU BULK](#) [9144](#) [S2674](#) [280L](#) [163-156N-2-E](#) [163-158N-2-E](#) [171-3308-](#)
[EX](#) [171-3500-E](#) [2501FT](#) [CMT335](#) [M10662](#) [330Q](#) [RJ5VI-S](#) [40116](#) [TM1R-AU](#) [TM2PBMJ-AU](#) [TM2PJ-AU](#) [TM2PJ-AU BULK](#) [4803.1351](#)
[49201](#) [49205](#) [TS3PBJ-AU](#) [TS3PBMJ-AU](#) [TT32BX](#) [54B](#) [40112](#) [40205](#) [XMT332B](#) [52170017-331](#) [570](#) [NM3](#)