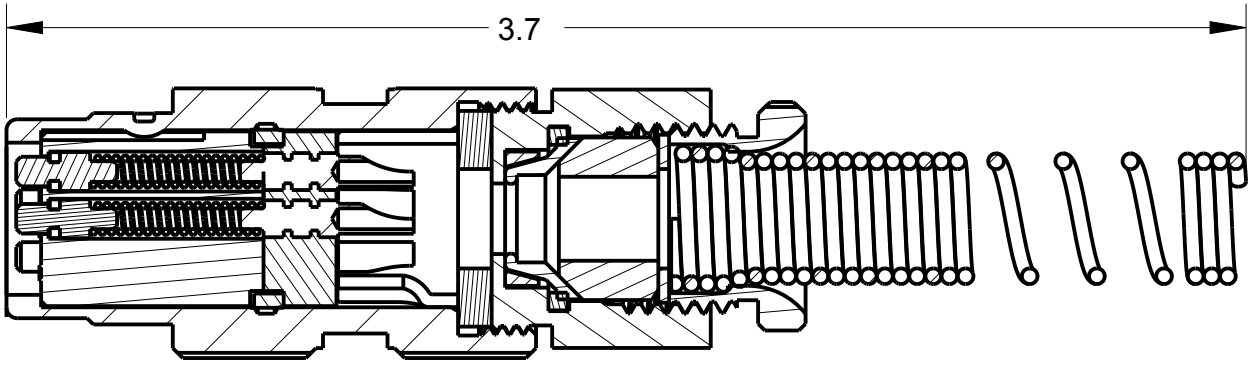
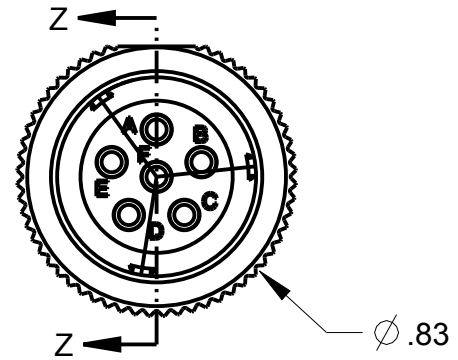
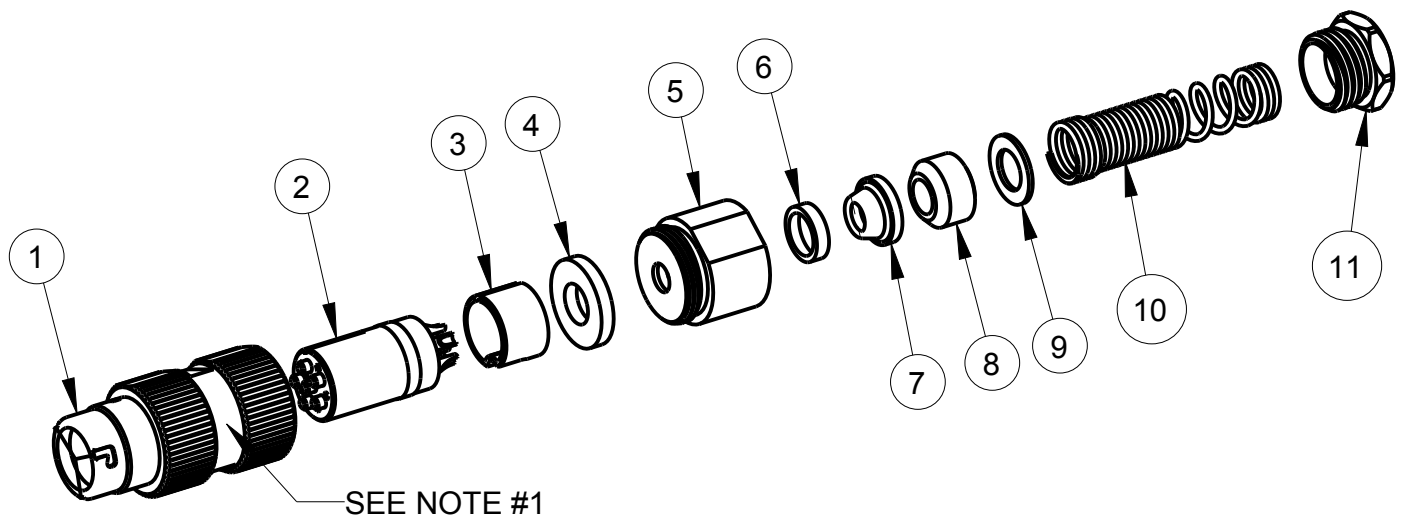


ITEM #	PART #	QTY	DESCRIPTION
1	AJ-156-11	1	HOUSING, JACK CABLE
2	AJ-166-30	1	INSERT, 6-COND SOLDER
3	AP-105-5	1	STRAIN RELIEF
4	AP-116-3	1	WASHER, RUBBER
5	AP-136-8	1	NUT ADAPTER WITH GASKET
6	AP-136-6	1	CLAMP, OUTER SHELL
7	AP-136-5	1	CLAMP, SHIELD INNER
8	SEE TABLE #1	1	BUSHING
9	SEE TABLE #1	1	WASHER
10	SEE TABLE #1	1	SPRING
11	AP-116-6	1	STUD

**B** AJ-166S

TABLE #1				
PART #	CABLE Ø	BUSHING	WASHER	SPRING
AJ-166S/14-1	Ø .165 ± .010	AP-116-17	AP-116-2	AP-116-4
AJ-166S/14-2	Ø .228 ± .010	AP-116-18	AP-116-2	AP-116-4
AJ-166S/14-3	Ø .250 ± .010	AP-116-8	AP-116-2	AP-116-4
AJ-166S/14-4	Ø .290 ± .010	AP-116-19	AP-116-2	AP-116-4
AJ-166S/14-5	Ø .320 ± .010	AP-116-20	AP-116-22	AP-116-21

NOTES:  
1) MARK PART NUMBER & MANUFACTURER'S NAME, LOCATED APPROX AS SHOWN



THIS DOCUMENT CONTAINS PROPRIETARY INFORMATION OF NEXUS, INCORPORATED AND SUCH INFORMATION MAY NOT BE DISCLOSED TO OTHERS FOR ANY PURPOSE OR USED FOR ANY PURPOSE WITHOUT THE WRITTEN CONSENT OF NEXUS.

LET.	REVISION	CN #	DATE	CHK.
D	ADD; AJ-166S/14-5; BILL OF MATERIAL	213	10/8 2014	HR
C	ADD; NOTE #1	118	1/11 2012	HR
B	ADD P/N CHART	106	5/24 2011	HR
A	INITIAL RELEASE		5/19/10	GPH

DWN.BY	GPH	DATE	17-May-10
CHECKED BY		DATE	
APPR.BY		DATE	
UNLESS OTHERWISE SPECIFIED: DIMENSIONS ARE IN INCHES &/OR (mm)			
TOLERANCES:			
DECIMAL: .XX[X.X]	.XXX[X.XX]		
± .01[0.3]	± .003[0.08]		
FRACTION: X/X	ANGLES: .X		
± 1/64	± .5°		

MATERIAL	
FINISH	
WEIGHT —	SCALE = 2.00 :1
TITLE <b>JACK, 6 PIN, SOLDER CUP SHIELDED</b>	
DO NOT SCALE DWG.	SHEET 1 OF 1

**NEXUS**  
STAMFORD, CONN

SIZE **B** DWG. NO. **AJ-166S**

## X-ON Electronics

Largest Supplier of Electrical and Electronic Components

*Click to view similar products for [Phone Connectors](#) category:*

*Click to view products by [Amphenol](#) manufacturer:*

Other Similar products are found below :

[001013G](#) [007694E](#) [10038075-A1PLF](#) [103-C5750-00535](#) [103P](#) [11](#) [111PCS](#) [111PCX](#) [111X](#) [112A](#) [112APCS](#) [112APCSX](#) [112APCX](#) [112AX](#)  
[112BPCX](#) [112BX](#) [113BPCX](#) [113BX](#) [113DPCX](#) [113DX](#) [113EPCX](#) [113EX](#) [113FX](#) [113X](#) [114BPC](#) [114BPCSX](#) [114BPCX](#) [114BX](#) [11PKG](#)  
[11W07](#) [11W11](#) [120](#) [121](#) [1230](#) [1238](#) [125](#) [128](#) [12A](#) [12AW07](#) [12AW11](#) [12B](#) [12BW07](#) [12BW11](#) [13](#) [131](#) [133](#) [13A](#) [13B](#) [13E](#) [142A](#)