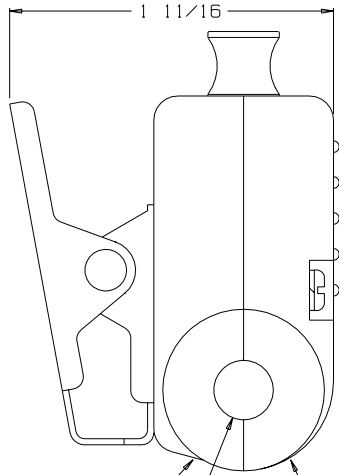
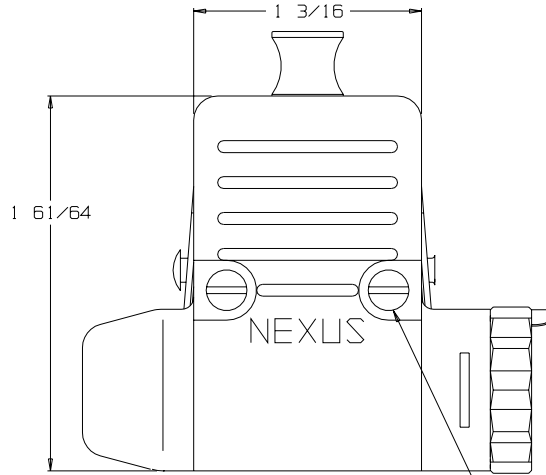


C AJS-107PP

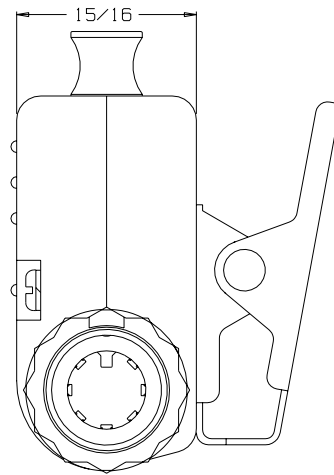


AJS-107A-2 HOUSING PLAIN

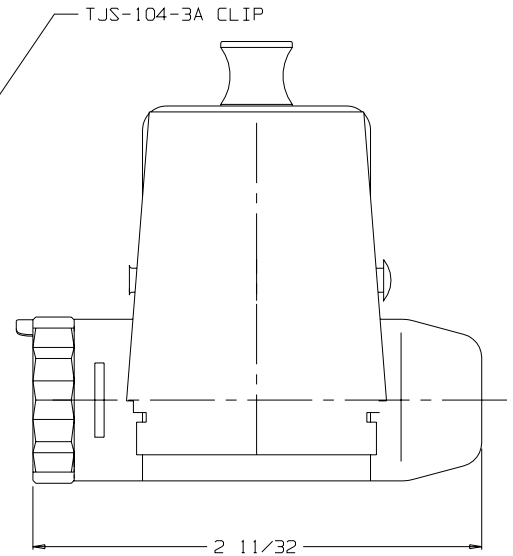
Ø .310



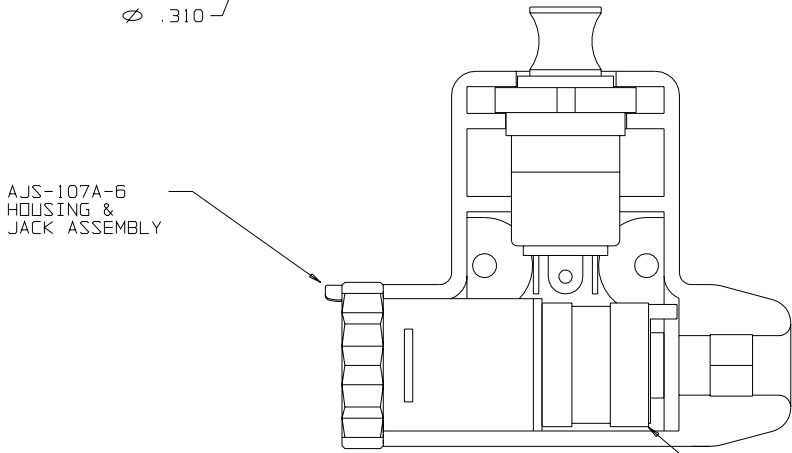
AJS-107A-1 HOUSING RIBBED



TJS-102-11 SCREW
TJ-106-13 LOCKWASHER
TYP 2 PLCS



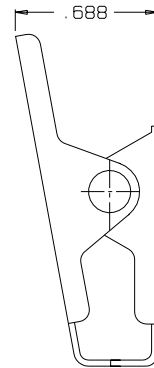
TJS-104-3A CLIP



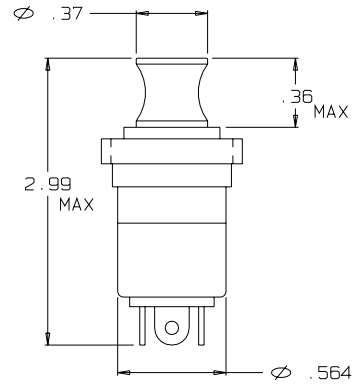
AJS-107A-6 HOUSING & JACK ASSEMBLY

AJS-107A WITH AJS-107A-2 REMOVED

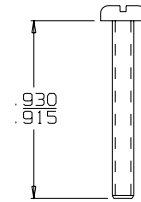
AJS-107A-4 HOUSING SLEEVE



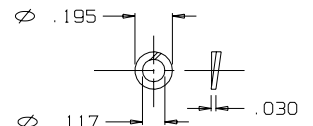
CLIP ASSY
TJS-104-3A
(1 REQ'D)



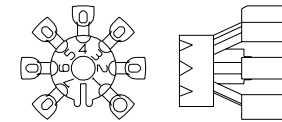
SWITCH
SPDT
NX303BB3B
(1 REQ'D)



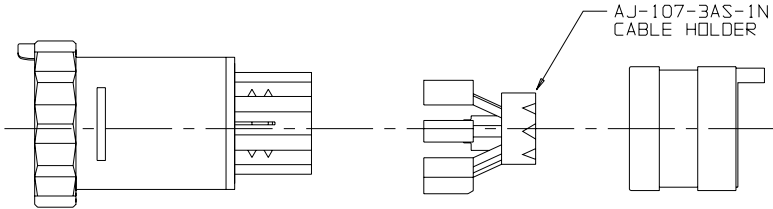
SCREW 4-40 LINC 2A
TJS-102-11
(2 REQ'D)



WASHER, LOCK #4
TJ-106-13
(2 REQ'D)



CABLE HOLDER
AJ-107-3AS-1N
(1 REQ'D)



HOUSING & JACK ASSEMBLY
AJS-107A-6
(1 REQ'D)

MODIFIED SLEEVE
AJS-107A-4
(1 REQ'D)

AJ-107-3AS-1N
CABLE HOLDER

INFORMATION OF NEXUS, INCORPORATED AND SUCH INFORMATION MAY NOT BE DISCLOSED TO OTHERS FOR ANY PURPOSE OR USED FOR ANY PURPOSE WITHOUT THE WRITTEN CONSENT OF NEXUS.

DWN BY <i>EWT</i>	DATE 2/8/04	MATERIAL	FINISH
CHECKED BY	DATE	WEIGHT	SCALE 2:1
APPR BY	DATE	TITLE JACK-TELEPHONE (7) CONDUCTOR WITH NX303 PUSH-PULL SWITCH	
UNLESS OTHERWISE SPECIFIED DIMENSIONS ARE IN INCHES TOLERANCES ON FRACTIONS DECIMALS ANGLES		NEXUS STAMFORD, CONN	
DD NOT SCALE DWG. SHEET 1 OF 1		SIZE DWG. NO. C AJS-107PP	

B	CORRECTED TITLE WAS NX307		9/7/07	EWT
A	INITIAL RELEASE		2/8/04	EWT
LET.	REVISION	CN #	DATE	CHK

X-ON Electronics

Largest Supplier of Electrical and Electronic Components

Click to view similar products for [Phone Connectors](#) category:

Click to view products by [Amphenol](#) manufacturer:

Other Similar products are found below :

[M444B](#) [6J1041A](#) [R4F](#) [E12BPKG](#) [ECP4PKG](#) [161-3502L-E](#) [MT333X](#) [171-0350-EX](#) [171-101A-EX](#) [171-3325-EX](#) [176S](#) [NC3MG-V](#)
[NYS228G](#) [P10834](#) [P2380](#) [P2381X](#) [P2411X](#) [P2412](#) [P2724](#) [JM2PB-AU BULK](#) [9144](#) [S2674](#) [280L](#) [163-156N-2-E](#) [163-158N-2-E](#) [171-3308-](#)
[EX](#) [171-3500-E](#) [2501FT](#) [CMT335](#) [M10662](#) [330Q](#) [RJ5VI-S](#) [40116](#) [TM1R-AU](#) [TM2PBMJ-AU](#) [TM2PJ-AU](#) [TM2PJ-AU BULK](#) [4803.1351](#)
[49201](#) [49205](#) [TS3PBJ-AU](#) [TS3PBMJ-AU](#) [TT32BX](#) [54B](#) [40112](#) [40205](#) [XMT332B](#) [52170017-331](#) [570](#) [NM3](#)