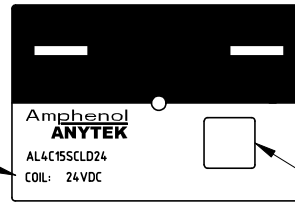


RoHS Compliant

Rev.	SIGN	DATE	DESCRIPTION	APPROVER
A0	—	01/09'22	The first release	PansLee

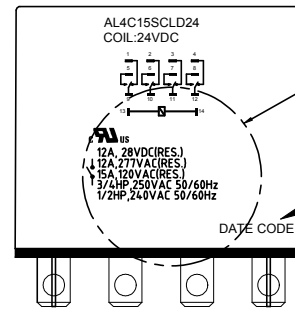
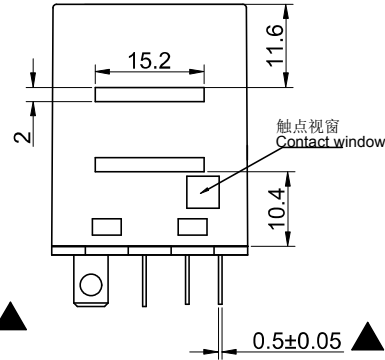
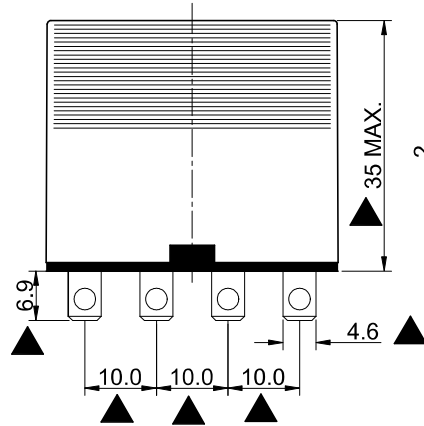
THIS IS CAD DRAWING, DO NOT REVISE MANUALLY!!!

DC无电源频率  
No power  
frequency for DC



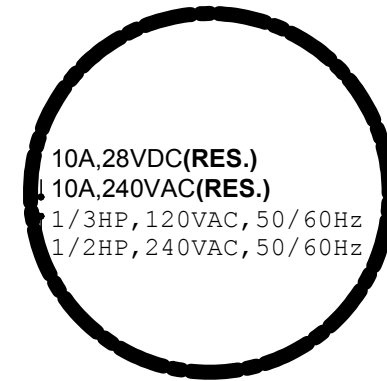
机械指示旗视窗  
Mechanical indication flag  
window

LED视窗  
LED window

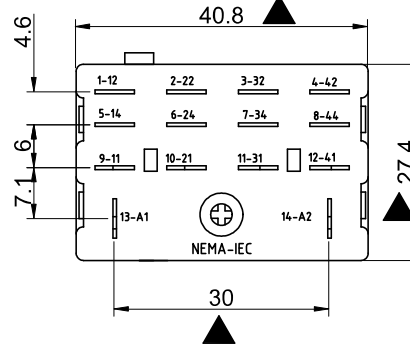


当负载为12A 印字图

批号  
Lot number



当负载为10A 印字图



**Amphenol**  
**ANYTEK**

**CUSTOMER COPY**

ALL RIGHTS RESERVED. REPRODUCTION OR ISSUE TO THIRD PARTIES IN ANY FORM WHATSOEVER IS NOT PERMITTED WITHOUT WRITTEN AUTHORITY FROM THE PROPRIETOR. PROPERTY OF ANYTEK TECHNOLOGY CO., LTD

TITLE				AL-4PDT/LED/INDICATOR FLAG INDUSTRIAL RELAY			
PART NO.		AL4CXXSCLXXX00G		DWG NO.		8AL4C-0005	
APPROVED	CHECKED	DESIGNED	DRAWN	CUST NO.		Tolerance	
		PansLee 2022.1.09	PansLee 2022.1.09			UNIT: mm	X.X ±0.10
				SHEET: 01/02		SCALE: NONE	X.XX ±0.05
				REV.: A0		X.XXX ±0.005	X° ±1°

RoHS Compliant

Rev.	SIGN	DATE	DESCRIPTION	APPROVER
A0	—	01/09'22	The first release	PansLee
THIS IS CAD DRAWING, DO NOT REVISE MANUALLY!!!				

线圈参数,在23 °C环境下 Coil parameters (At 23 °C)

线圈规格代码 Coil voltage code	线圈额定电压 Rated coil voltage	线圈电阻 Coil resistance (Ω) ±10%	线圈功率 Power Consumption	动作电压 Operate voltage	释放电压 Release voltage	线圈最大电压 Max. allowable voltage
D6	6 VDC	40	0.89~1.1 W	75% Maximum	10% Minimum	110% Maximum
D12	12 VDC	160				
D24	24 VDC	650				
D48	48 VDC	2600				
D110	110 VDC	11000				
A6	6 VAC	9.5	1.2 VA	80% Maximum	15% Minimum	110% Maximum
A12	12 VAC	46				
A24	24 VAC	180				
A48	48 VAC	770				
A110	110 VAC	3830				
A120	120 VAC	4430				
A220/230	220/230 VAC	15000				
A240	240 VAC	15700				

注Annotation: 交流线圈电源频率50~60Hz. The frequency of AC Coil is 50 ~ 60 Hz.

触点参数Contact parameters

- 触点形式Contact Form: 4PDT
- 接触电阻Contact Resistance: 100m Ω Max. At 6VDC,100mA
- 触点材质Contact Material: AgSnO2/AgNi
- 阻性负载Resistive load : 20A@28VDC/120VAC/277VAC(10A@28VDC/240VAC),50~60Hz
- 马达负载Motor load: 1/2hp@120VAC,1hp@277VAC,50~60Hz
- 电气寿命Electrical Life: 5万操作次数, 在额定负载情况下, 50,000 operations at Rated Resistive Load.
- 机械寿命Mechanical Life: 1000万操作次数, 在无负载情况下, 10,000,000 operations at No Load condition.

综合性能参数Comprehensive performance parameter

- 绝缘电阻Insulation resistance:500M Ω Min. at 500VDC
- 介质耐压(初始) Dielectric strength (initial) : 同极触点间1000VAC,1Min;  
异极触点间1500VAC,1Min;  
线圈触点间1500VAC,1Min  
Between open contact 1000VAC,1Min;  
Between different pole 1500VAC,1Min;  
Between contact and coil 1500VAC,1Min
- 动作时间Operate time: 20ms Max.
- 释放时间Release time: 20ms Max.

使用环境Service environment

- 使用环境温度Ambient temperature: -25-+50 °C
- 湿度Ambient humidity: 5%-85%
- 抗冲击Shock resistance : 破坏性 Destruction: 1,000 m/s<sup>2</sup>  
故障 Malfunction: 200 m/s<sup>2</sup>

- 耐振动Vibration resistance: 破坏性 Destruction: 10 to 55 Hz, 0.5 mm single amplitude (1.0 mm double amplitude)  
故障 Malfunction: 10 to 55 Hz, 0.5 mm single amplitude (1.0 mm double amplitude)

其它Other

- 基座材质The base material:UL94V-0, 酚醛塑料 Phenolic molding compound, 耐温temperature resistance: 155 °C
- 防尘外壳Dust-proof cover: 透明PC Transparent PC
- 重量Weight: About 36g
- 安规认证Safety Approval: CUL US UL证书号码 File Number: E521873
- 重点尺寸Critical dimension:



继电器规格号示例Part Number Description:  
AL 4C XX S C L XXXX 00G



<b>Amphenol ANYTEK</b>				<b>CUSTOMER COPY</b>		
ALL RIGHTS RESERVED. REPRODUCTION OR ISSUE TO THIRD PARTIES IN ANY FORM WHATSOEVER IS NOT PERMITTED WITHOUT WRITTEN AUTHORITY FROM THE PROPRIETOR. PROPERTY OF ANYTEK TECHNOLOGY CO., LTD						
TITLE	AL-4PDT/LED/INDICATOR FLAG INDUSTRIAL RELAY					
PART NO.	AL4CXXSCLXXXX00G	DWG NO.	8AL4C-0005			
APPROVED	CHECKED	DESIGNED	DRAWN	CUST NO.	Tolerance	
		PansLee 2022.1.09	PansLee 2022.1.09		UNIT: mm	X.X ±0.10
					SCALE: NONE	X.XX ±0.05
						X.XXX ±0.005
					SHEET: 02/02	X° ±1°
					REV.: A0	

## X-ON Electronics

Largest Supplier of Electrical and Electronic Components

*Click to view similar products for [Industrial Relays](#) category:*

*Click to view products by [Amphenol](#) manufacturer:*

Other Similar products are found below :

[6-1617801-8](#) [6-1618107-9](#) [7-1618273-3](#) [EV250-4A-02](#) [EV250-6A-01](#) [FCA-325-159](#) [FCA-410-138](#) [8-1618273-6](#) [9-1618397-7](#)  
[GCA32A208VAC60HZ](#) [GCA63A600VAC60HZ](#) [1-1833005-4](#) [H-16/S1](#) [H-8C](#) [H-8/S68](#) [ACC530U20](#) [RF303ZM4-12](#) [DH18DA](#) [AR4-15F13-](#)  
[C01](#) [AR7-41F11](#) [ATL68011](#) [EB3L-S10SAN](#) [AVR907](#) [B329](#) [B490A](#) [1617020-1](#) [1618095-3](#) [1618104-9](#) [1618279-1](#) [BHR124Y](#) [N417](#)  
[2071229-4](#) [2-1617748-6](#) [2-1618396-6](#) [2-1618398-1](#) [JMAPD-5XL](#) [PBE-120/208-ASE](#) [JMGACD-5M](#) [JMGSCD-5L](#) [PBO-40A3040](#) [KA-3C-](#)  
[12A](#) [RT334012WG](#) [SAH159](#) [SF5201F02](#) [301-17SX](#) [SL6H3-26.5VDC](#) [1618105-2](#) [1618112-6](#) [1618276-6](#) [A837D](#)