

experience



innovation



AIR LB CANADA

CATALOGUE

AMPHENOL AIR LB NORTH AMERICA INC.

295 Kesmark Steet
Dollard-des-Ormeaux, Quebec
Canada H9B 3J1
Tel.: (514) 421-2153
Fax: (514) 421-3408
<http://www.amphenol-airlb.com>

For all product information, consult Amphenol Air LB North America Inc.

TABLE OF CONTENT

FAIRLEAD BLOCK ASSEMBLY

- General Data
- Standard Fairlead Blocks
- Standard Fairlead Blocks with Gap
- Standard Multi-level Fairlead Blocks with gap
- Customized Fairlead Blocks

CABLE SUPPORTS

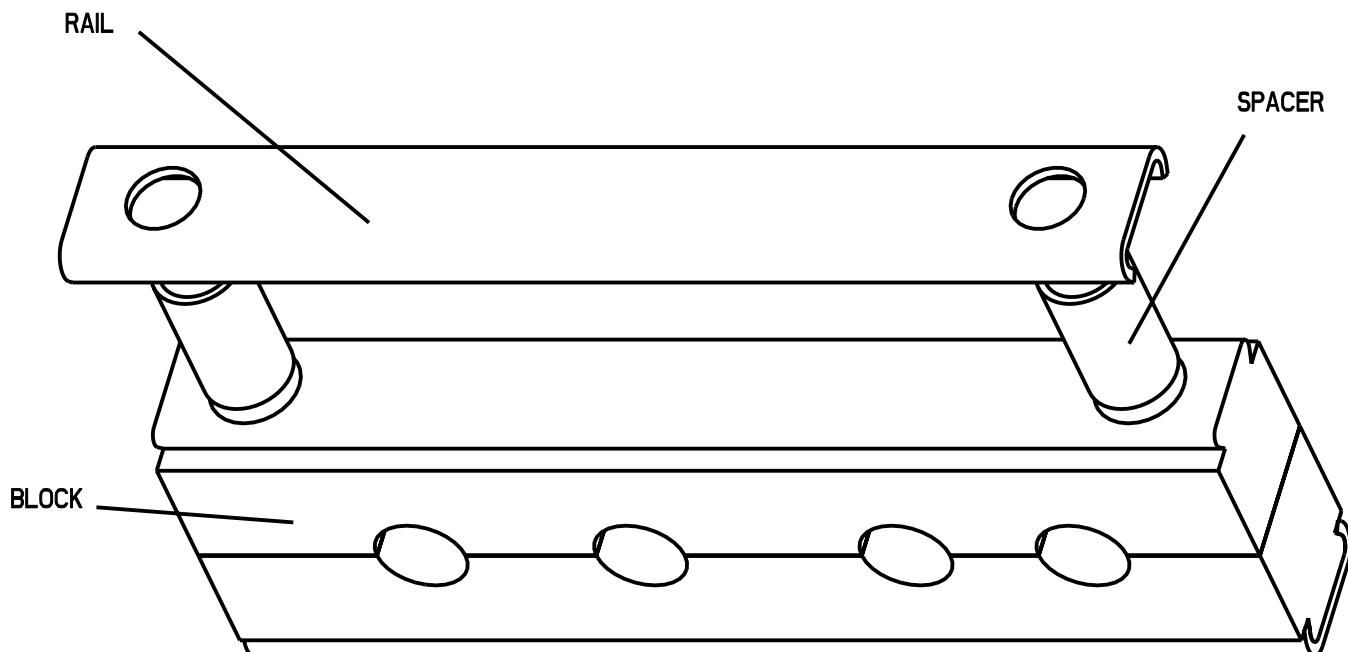
- General Data
- Straight Supports
- Cable Supports for specific applications
- Harness Tiedown Strip
- Single Harness Supports
- Double Harness Supports
- Hat Supports for Cable Assembly

CUSTOMIZED PRODUCTS

- Circuit Breaker Plug
- Spacer Strip, Circuit Breaker Panel
- Support Brackets
- Pressure Seal for Control Cable

For all product information, consult Amphenol Air LB North America Inc.

FAIRLEAD BLOCK ASSEMBLY



The Fairlead Blocks have been developed by AIR LB Canada Inc. for the aeronautic industry. It usually consists of two identical halfblock assemblies, which include one halfblock, one rail and two spacers.

MATERIAL:

RAIL: Aluminium or Steel (Anodized or Cadmium Plated)
BLOCK: Polymer per MIL-C-85052/2 (Purple)
SPACER: Aluminium alloy

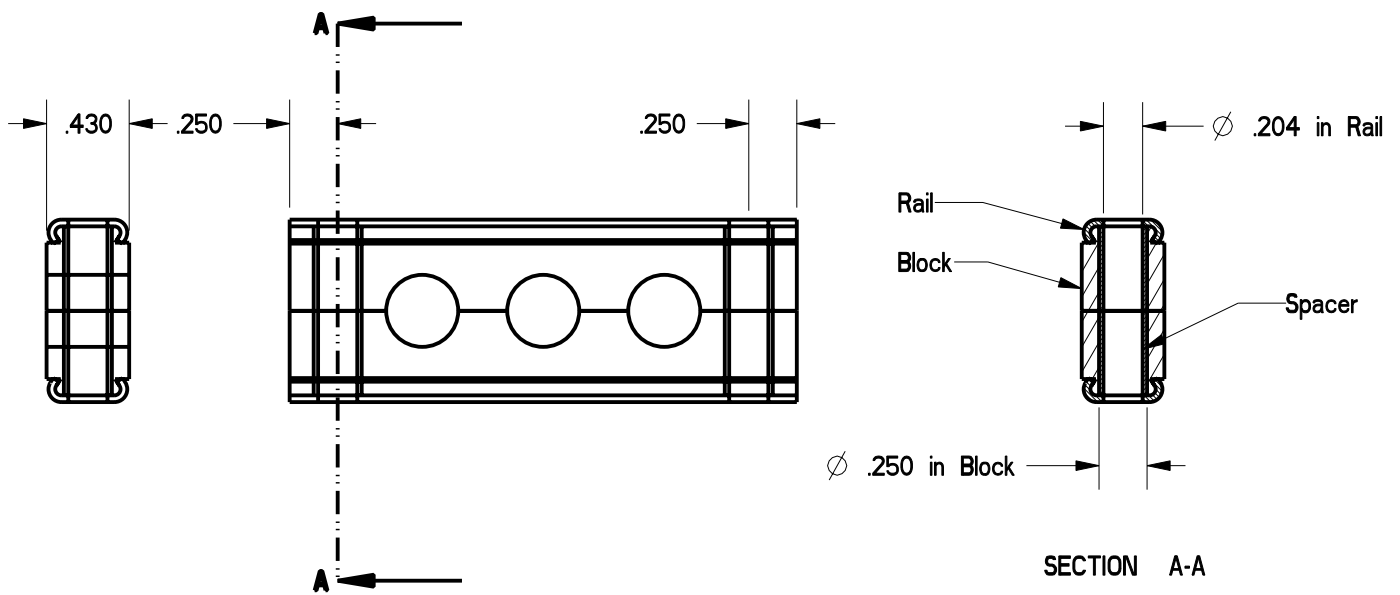
TECHNICAL DATA:

Temperature range: -65°F $+275^{\circ}\text{F}$

Resistance: Fuel JP-4, JP-5 (MIL-T-5624), Jet Fuel 8, Jet A and Jet B (ASTM D1655), JP-8 (MIT-T-93188)
Fire Extinguishing Halon 1211
Trichloroethane MIL-T81533 or O-T-620
MEK TT-M261
Lacquer Thinner TT-T-266
Phosphate Ester Base Hydraulic Fluid Type IV (CMS 564-03)
Cleaning Solvent Turco 657

For all product information, consult Amphenol Air LB North America Inc.

FAIRLEAD BLOCK ASSEMBLY



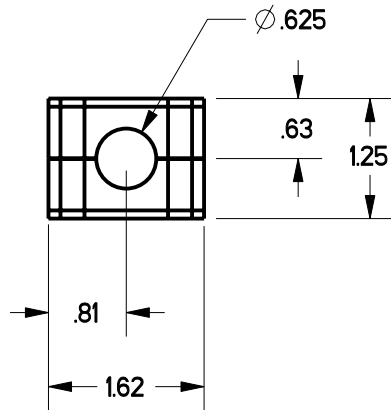
Generic Fairlead Block

The dimensions shown in the above drawing are standard.

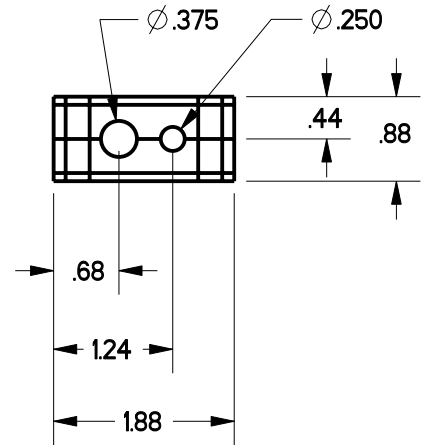
For all product information, consult Amphenol Air LB North America Inc.

FAIRLEAD BLOCK ASSEMBLY

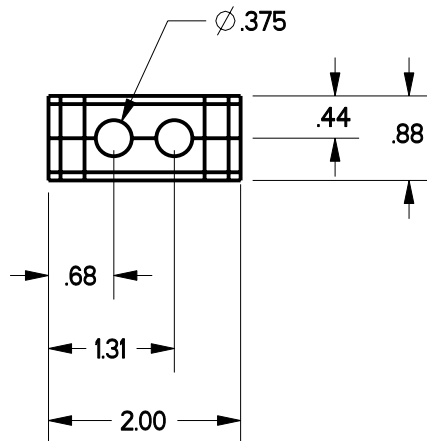
STANDARD FAIRLEAD BLOCKS



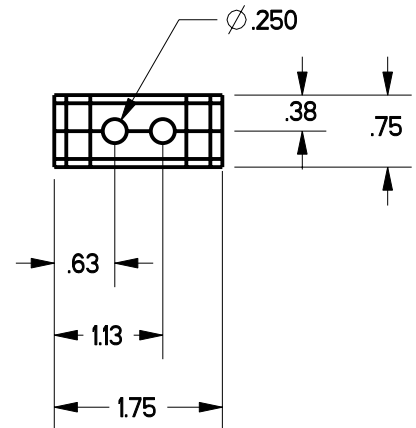
ALBFLB-101-00



ALBFLB-201-00



ALBFLB-202-00

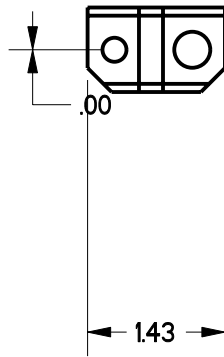


ALBFLB-203-00

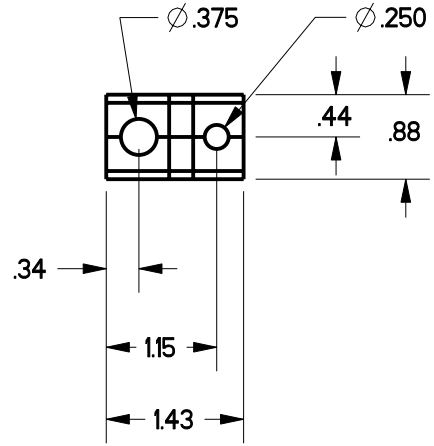
For all product information, consult Amphenol Air LB North America Inc.

FAIRLEAD BLOCK ASSEMBLY

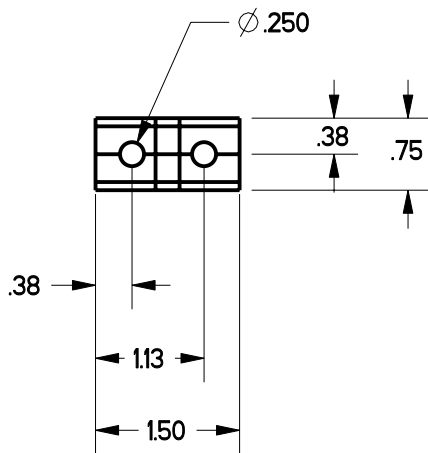
STANDARD FAIRLEAD BLOCKS



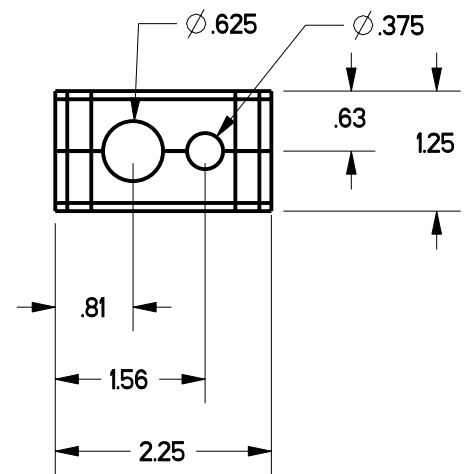
ALBFLB-204-00



ALBFLB-205-00



ALBFLB-206-00

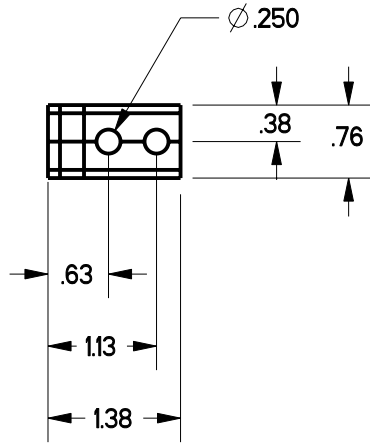


ALBFLB-207-00

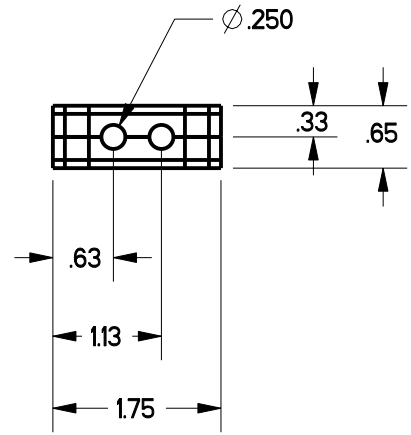
For all product information, consult Amphenol Air LB North America Inc.

FAIRLEAD BLOCK ASSEMBLY

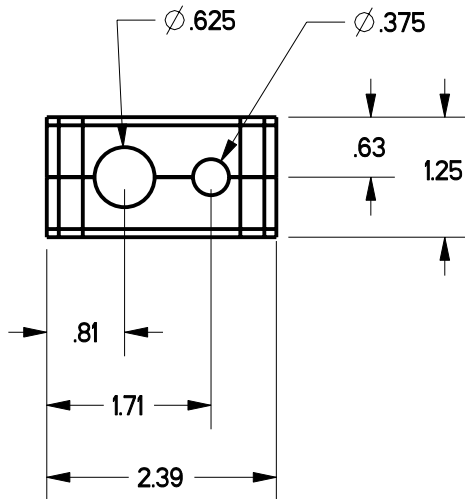
STANDARD FAIRLEAD BLOCKS



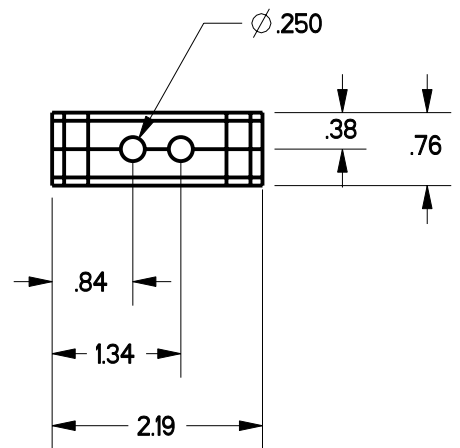
ALBFLB-208-00



ALBFLB-209-00



ALBFLB-210-00

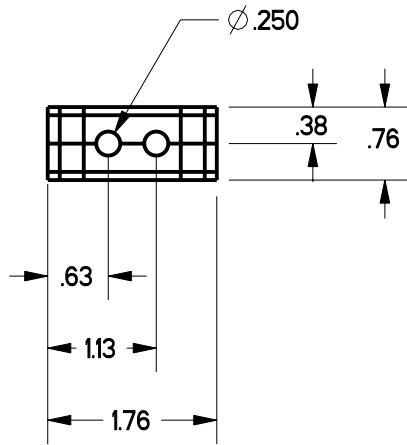


ALBFLB-211-00

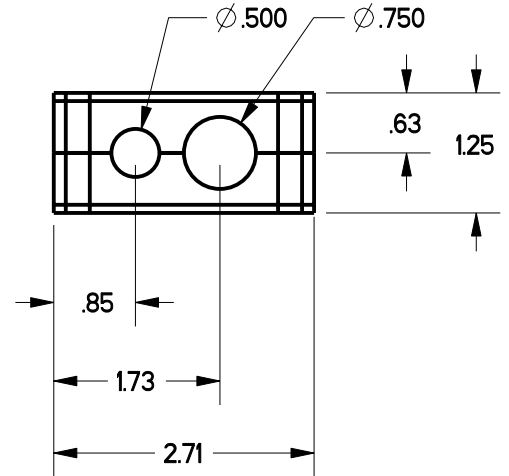
For all product information, consult Amphenol Air LB North America Inc.

FAIRLEAD BLOCK ASSEMBLY

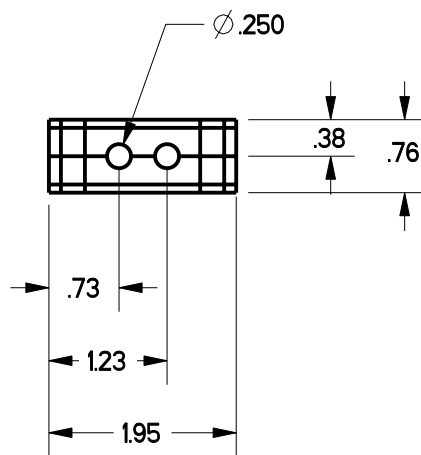
STANDARD FAIRLEAD BLOCKS



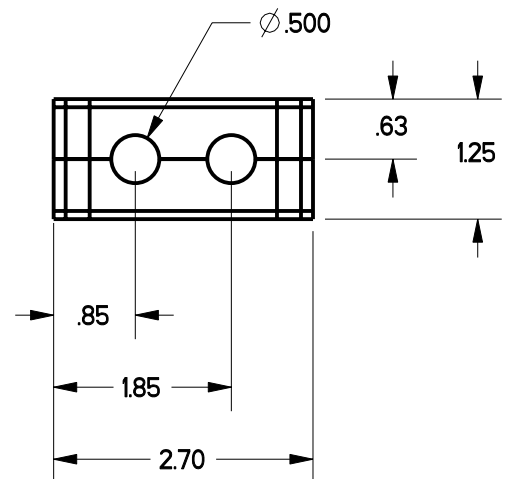
ALBFLB-212-00



ALBFLB-213-00



ALBFLB-214-00

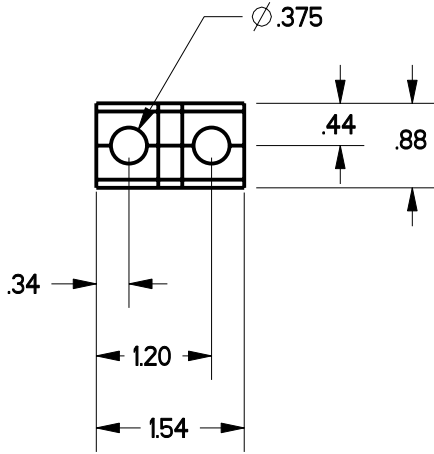


ALBFLB-215-00

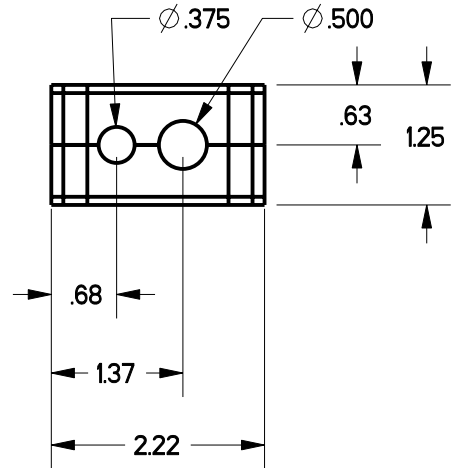
For all product information, consult Amphenol Air LB North America Inc.

FAIRLEAD BLOCK ASSEMBLY

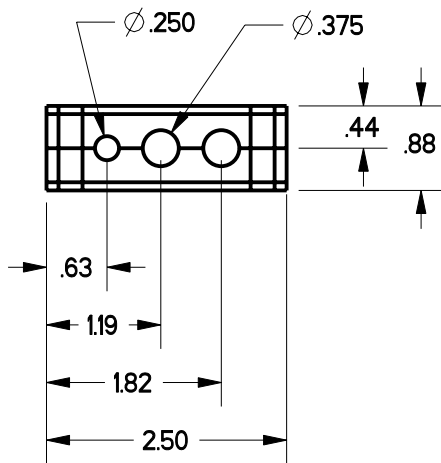
STANDARD FAIRLEAD BLOCKS



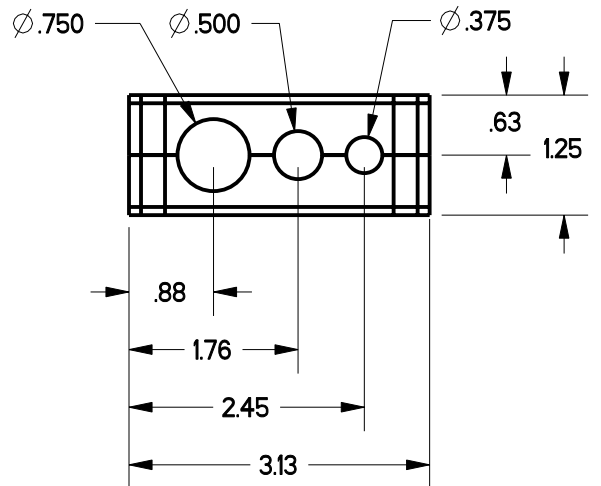
ALBFLB-216-00



ALBFLB-217-00



ALBFLB-301-00

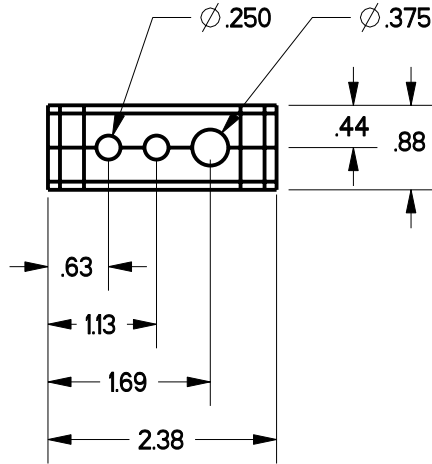


ALBFLB-302-00

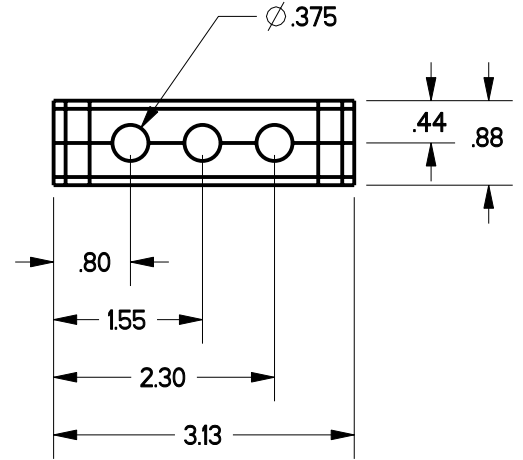
For all product information, consult Amphenol Air LB North America Inc.

FAIRLEAD BLOCK ASSEMBLY

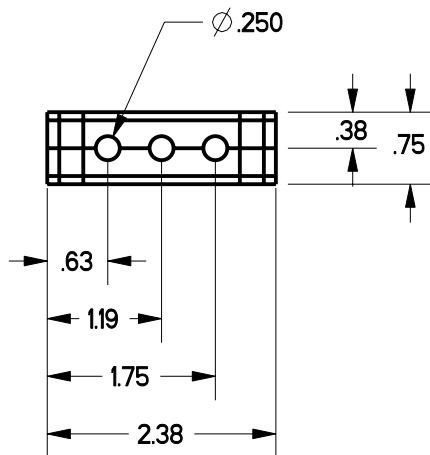
STANDARD FAIRLEAD BLOCKS



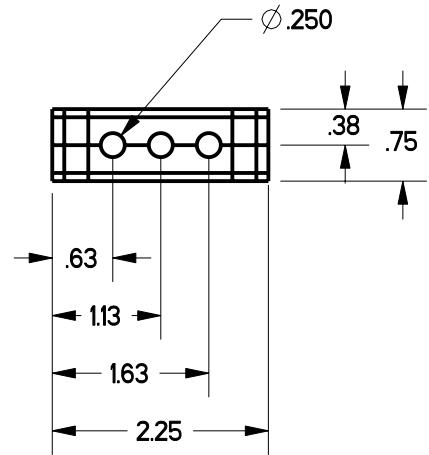
ALBFLB-303-00



ALBFLB-304-00



ALBFLB-305-00

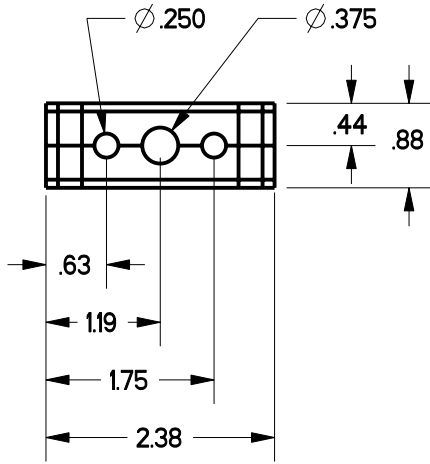


ALBFLB-306-00

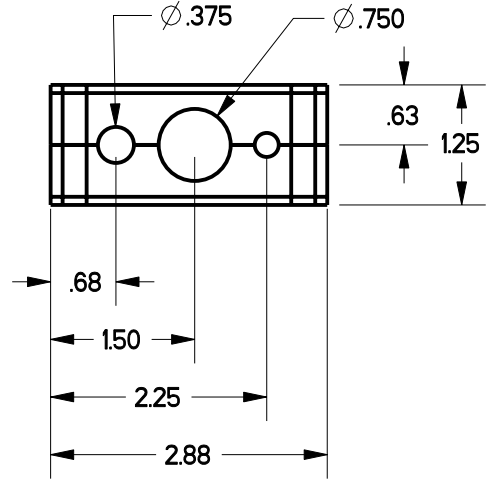
For all product information, consult Amphenol Air LB North America Inc.

FAIRLEAD BLOCK ASSEMBLY

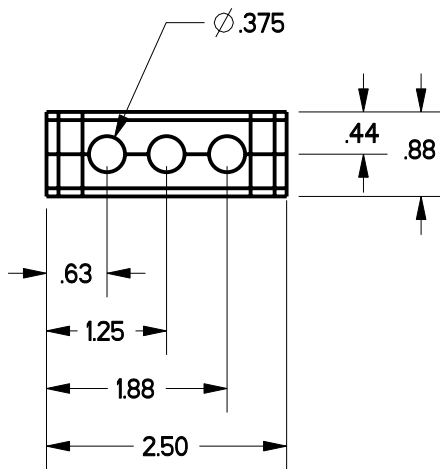
STANDARD FAIRLEAD BLOCKS



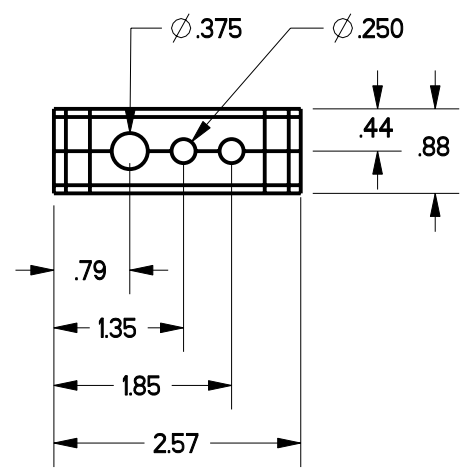
ALBFLB-307-00



ALBFLB-308-00



ALBFLB-309-00

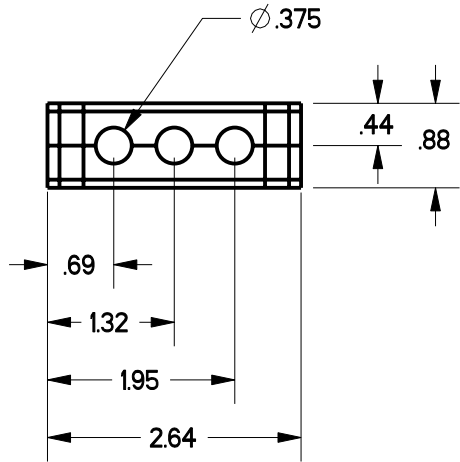


ALBFLB-310-00

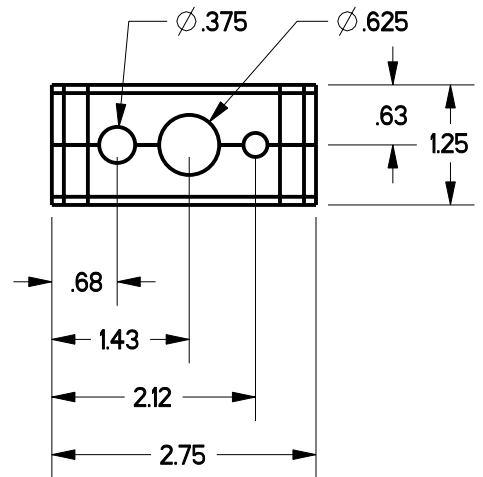
For all product information, consult Amphenol Air LB North America Inc.

FAIRLEAD BLOCK ASSEMBLY

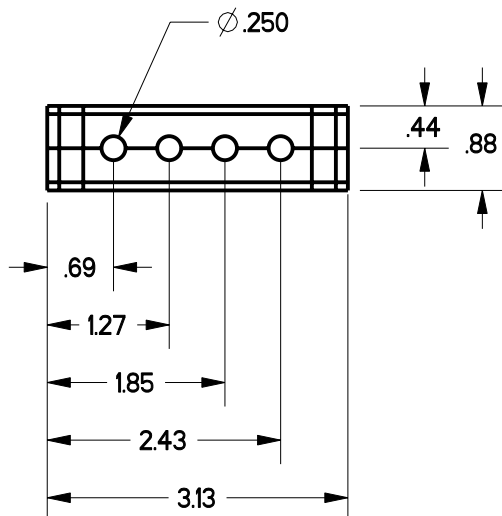
STANDARD FAIRLEAD BLOCKS



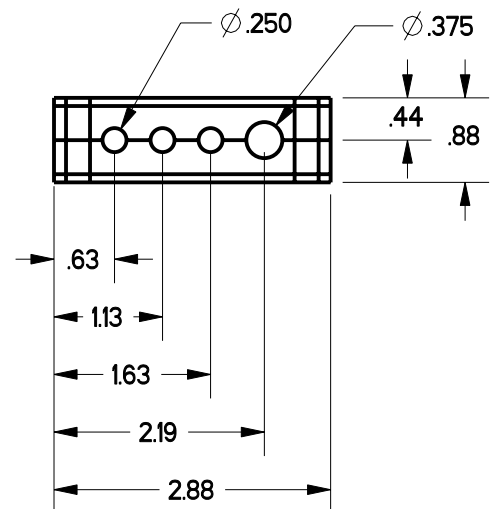
ALBFLB-311-00



ALBFLB-312-00



ALBFLB-401-00

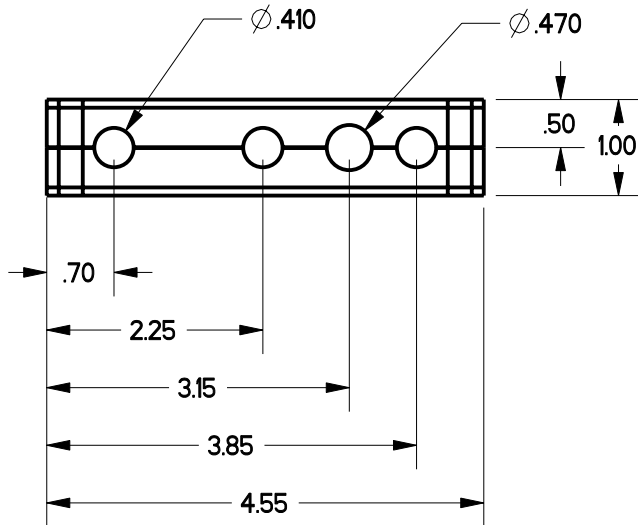


ALBFLB-402-00

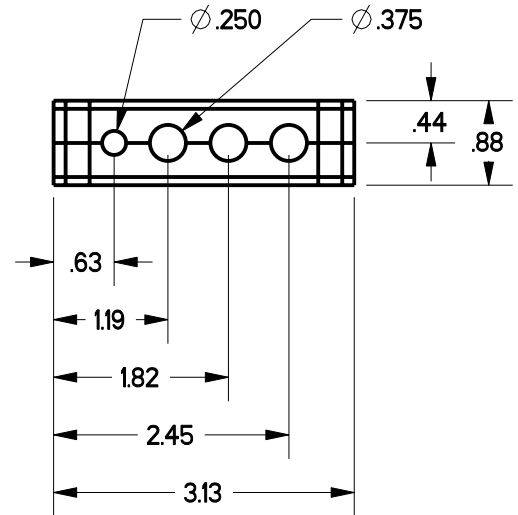
For all product information, consult Amphenol Air LB North America Inc.

FAIRLEAD BLOCK ASSEMBLY

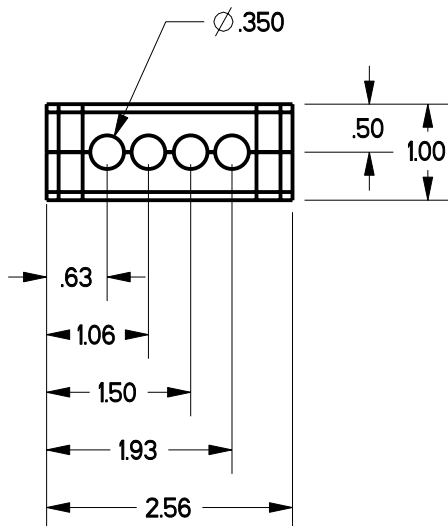
STANDARD FAIRLEAD BLOCKS



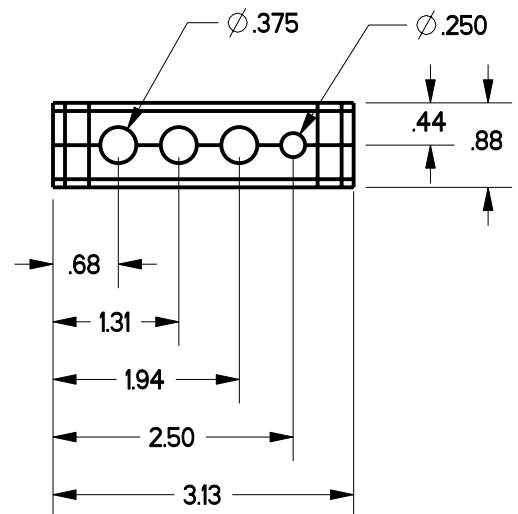
ALBFLB-403-00



ALBFLB-404-00



ALBFLB-405-00

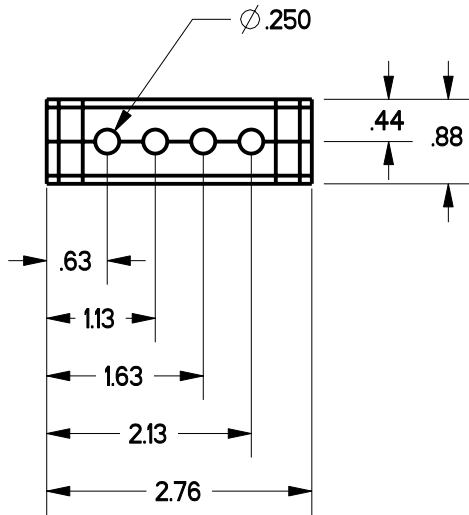


ALBFLB-406-00

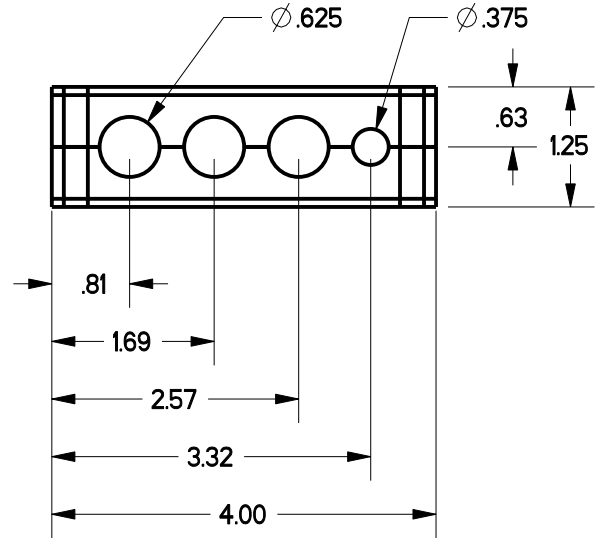
For all product information, consult Amphenol Air LB North America Inc.

FAIRLEAD BLOCK ASSEMBLY

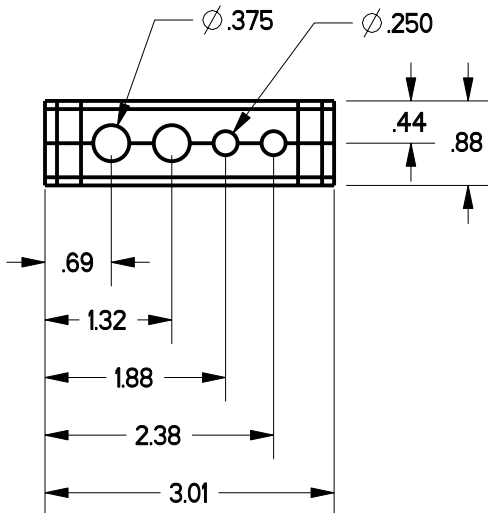
STANDARD FAIRLEAD BLOCKS



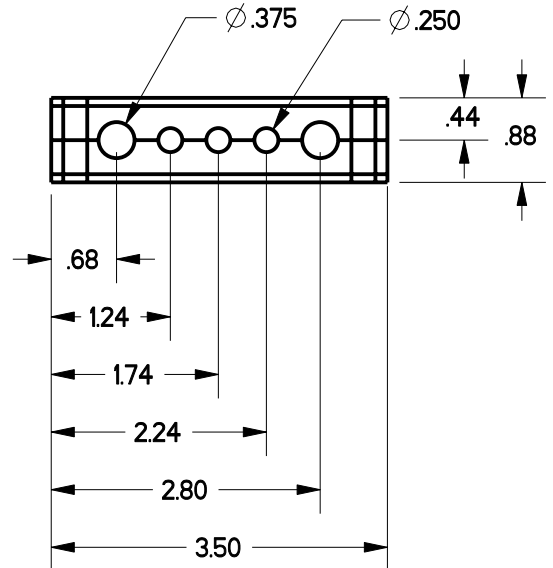
ALBFLB-407-00



ALBFLB-408-00



ALBFLB-409-00

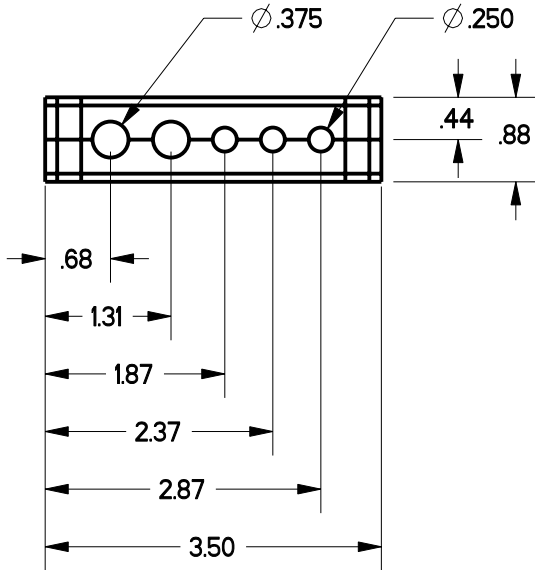


ALBFLB-501-00

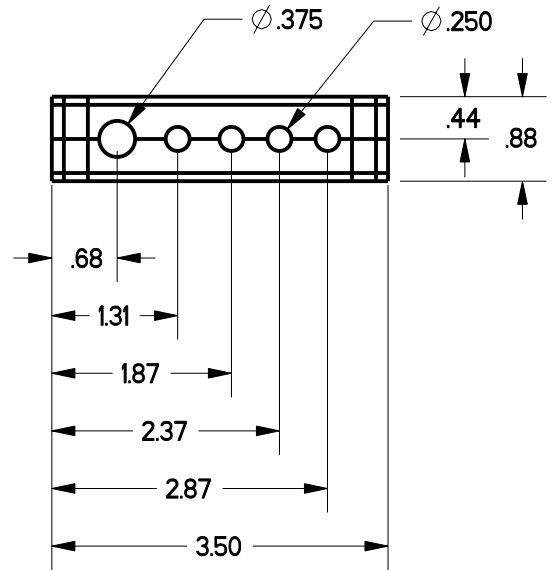
For all product information, consult Amphenol Air LB North America Inc.

FAIRLEAD BLOCK ASSEMBLY

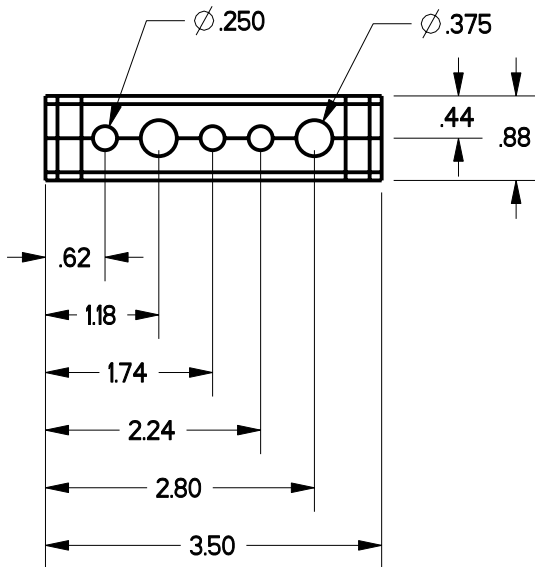
STANDARD FAIRLEAD BLOCKS



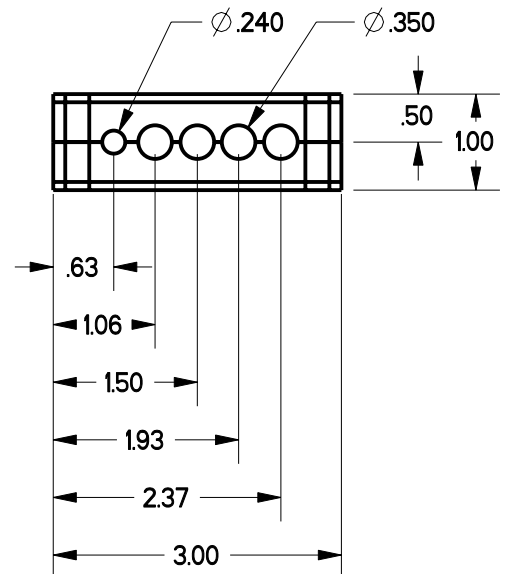
ALBFLB-502-00



ALBFLB-503-00



ALBFLB-504-00

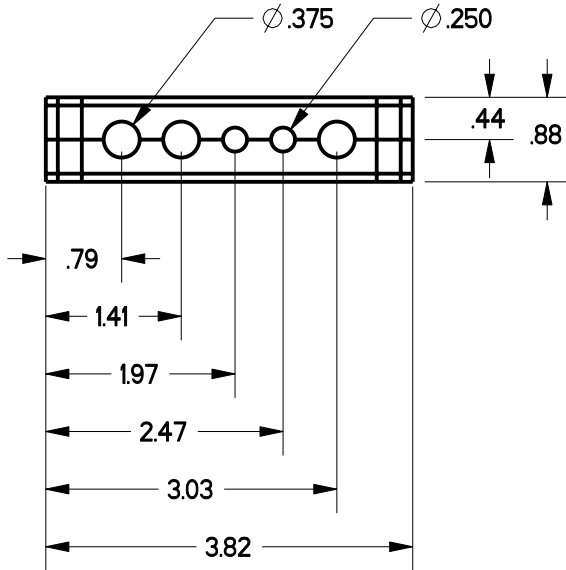


ALBFLB-505-00

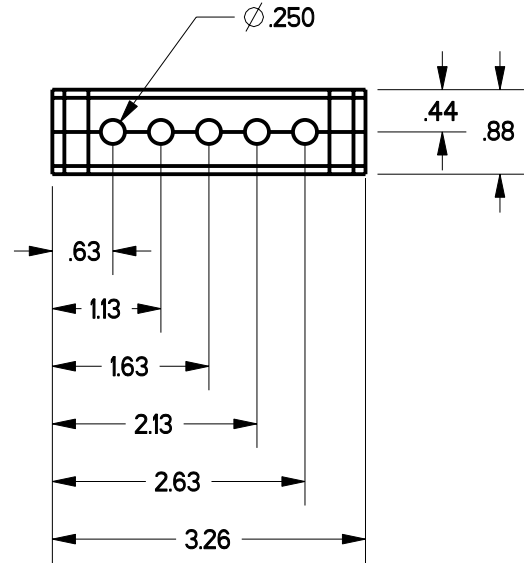
For all product information, consult Amphenol Air LB North America Inc.

FAIRLEAD BLOCK ASSEMBLY

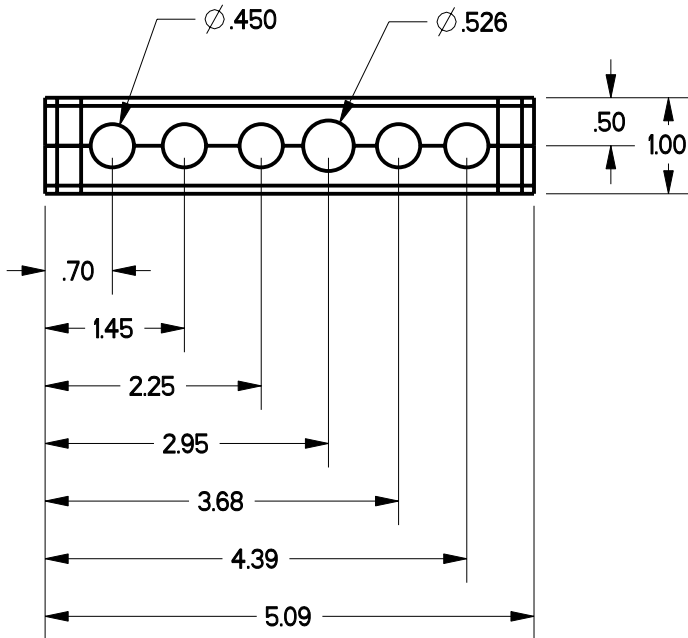
STANDARD FAIRLEAD BLOCKS



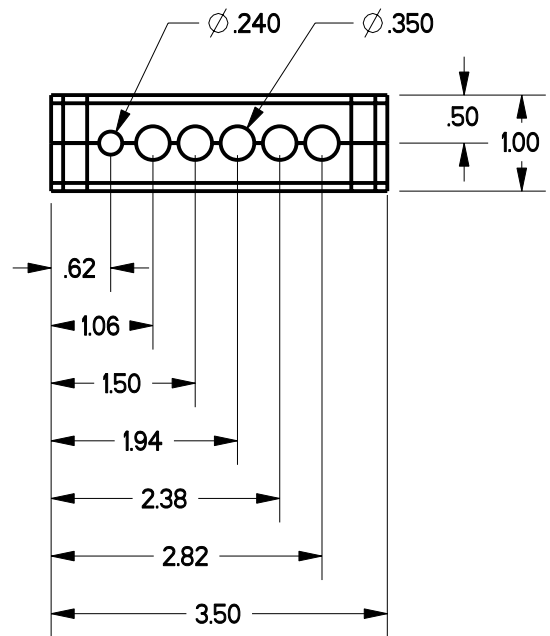
ALBFLB-506-00



ALBFLB-507-00



ALBFLB-601-00

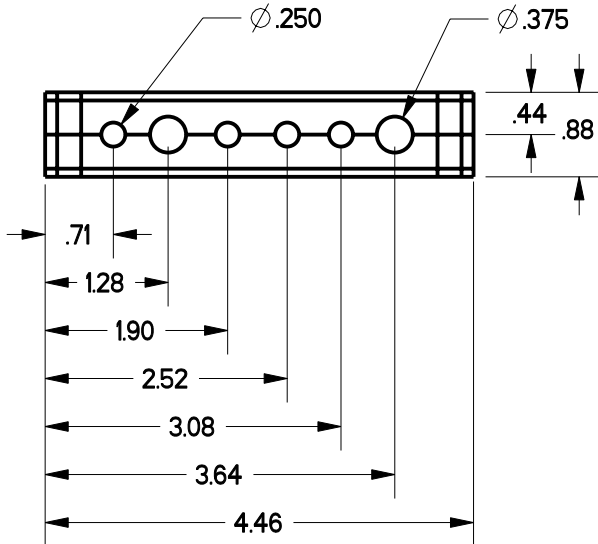


ALBFLB-602-00

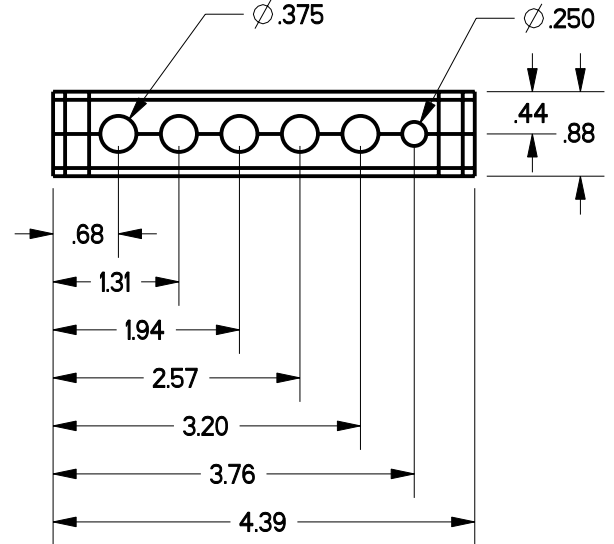
For all product information, consult Amphenol Air LB North America Inc.

FAIRLEAD BLOCK ASSEMBLY

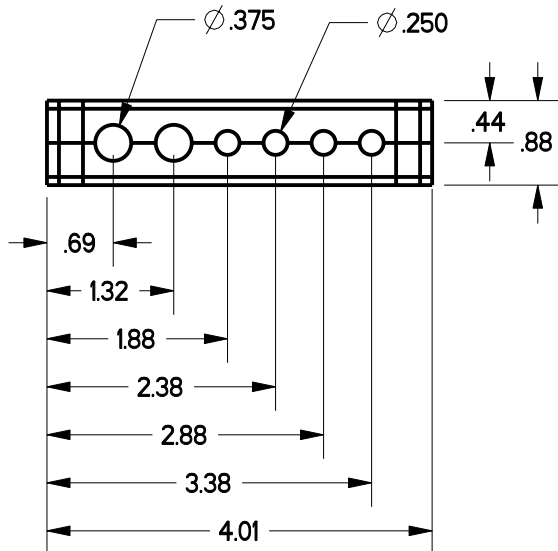
STANDARD FAIRLEAD BLOCKS



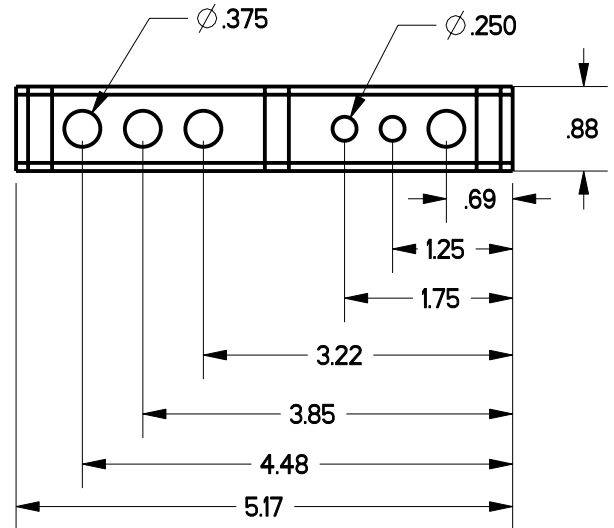
ALBFLB-603-00



ALBFLB-604-00



ALBFLB-605-00

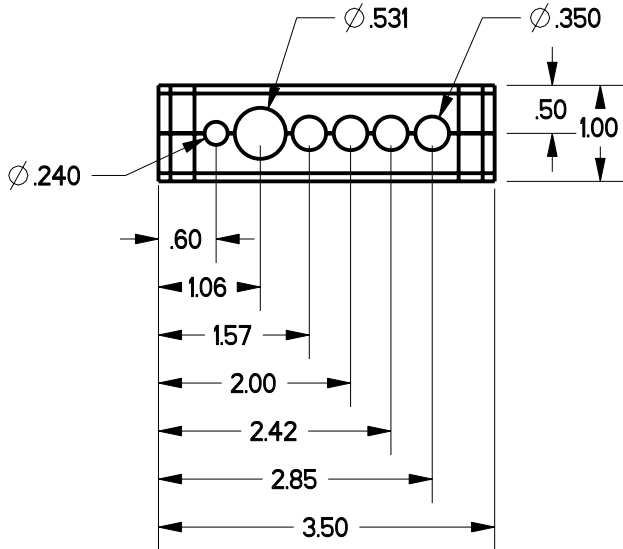


ALBFLB-606-00

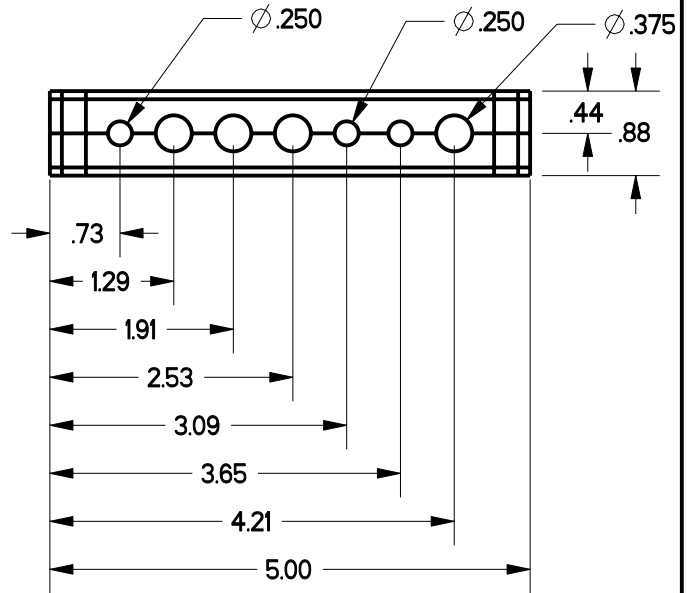
For all product information, consult Amphenol Air LB North America Inc.

FAIRLEAD BLOCK ASSEMBLY

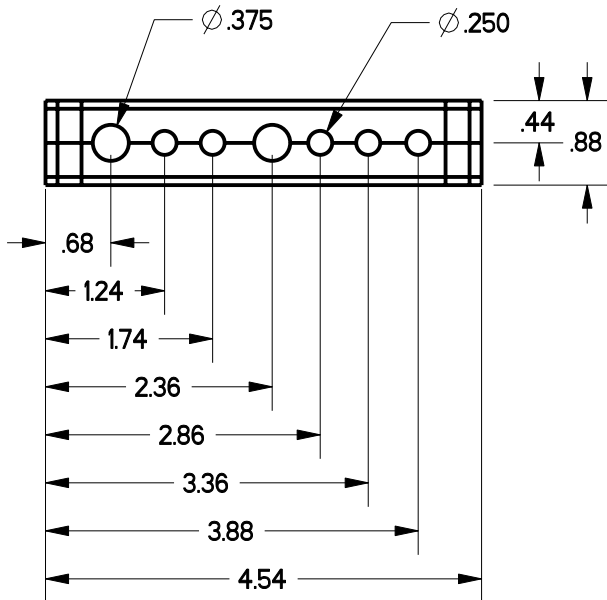
STANDARD FAIRLEAD BLOCKS



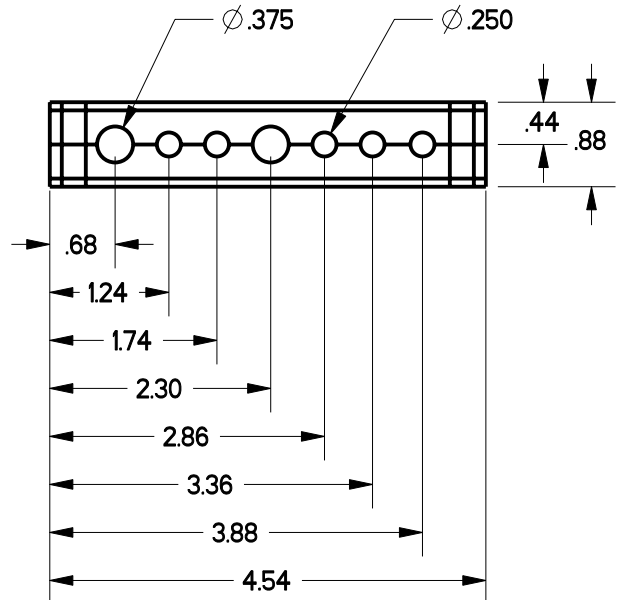
ALBFLB-607-00



ALBFLB-701-00



ALBFLB-702-00

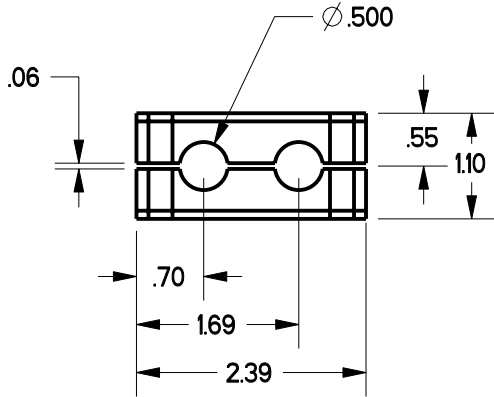


ALBFLB-703-00

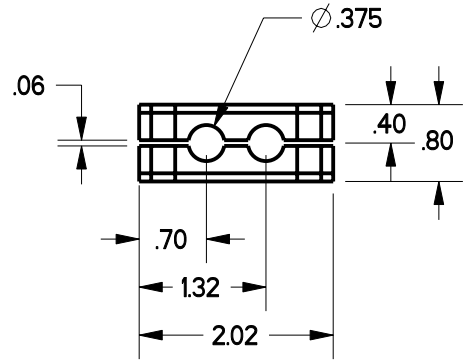
For all product information, consult Amphenol Air LB North America Inc.

FAIRLEAD BLOCK ASSEMBLY

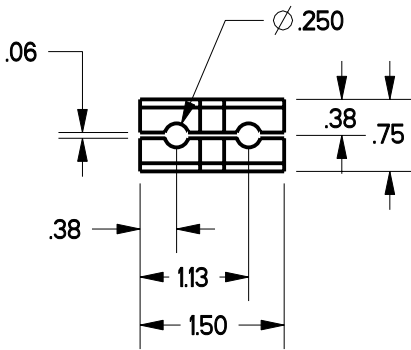
STANDARD FAIRLEAD BLOCKS WITH GAP



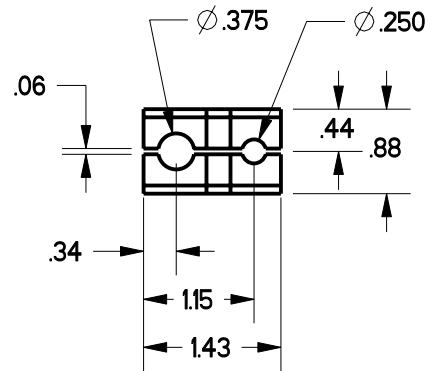
ALBFLB-236-00



ALBFLB-237-00



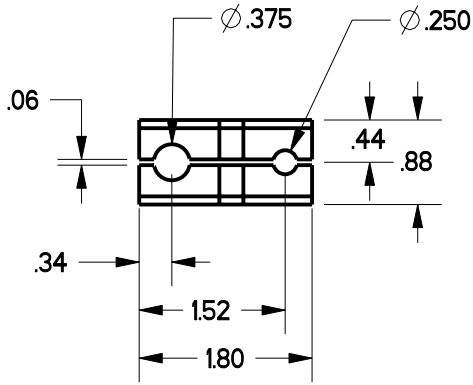
ALBFLB-238-00



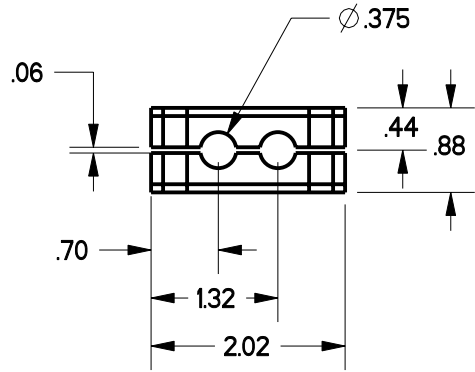
ALBFLB-239-00

For all product information, consult Amphenol Air LB North America Inc.

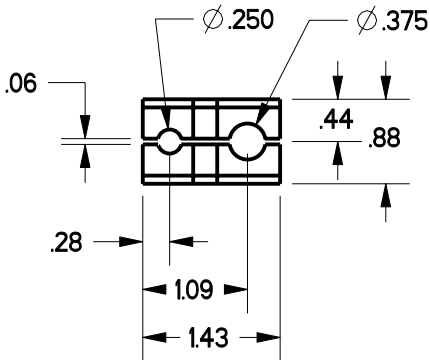
FAIRLEAD BLOCK ASSEMBLY



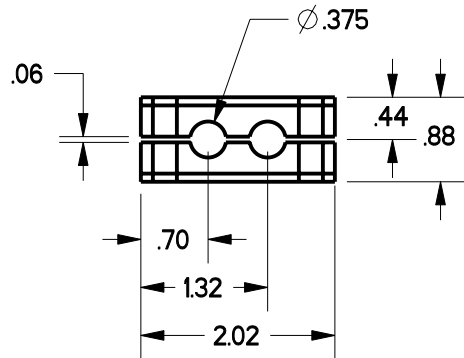
ALBFLB-226-00



ALBFLB-227-00



ALBFLB-228-00



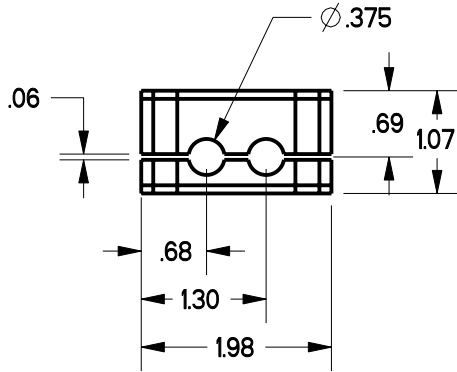
ALBFLB-231-00

STANDARD FAIRLEAD BLOCKS WITH GAP

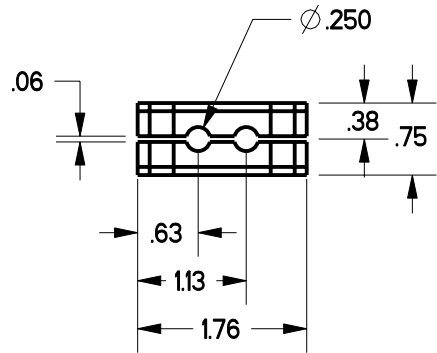
For all product information, consult Amphenol Air LB North America Inc.

FAIRLEAD BLOCK ASSEMBLY

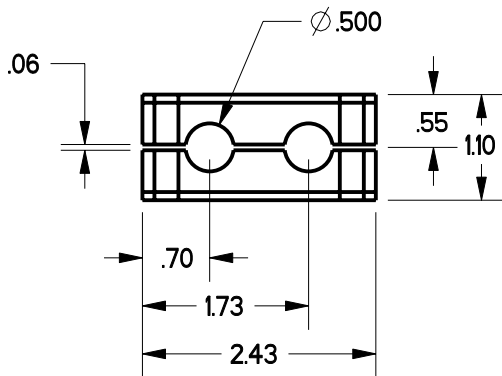
STANDARD FAIRLEAD BLOCKS WITH GAP



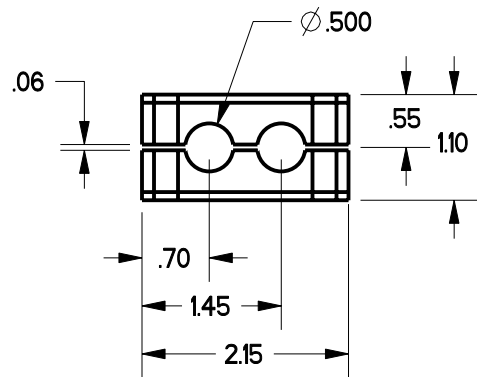
ALBFLB-232-00



ALBFLB-233-00



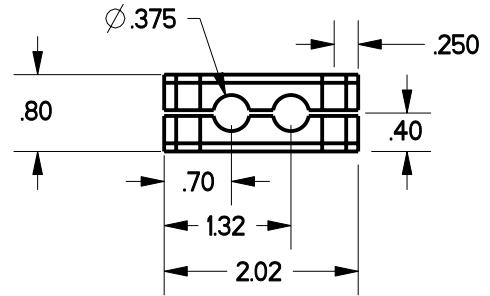
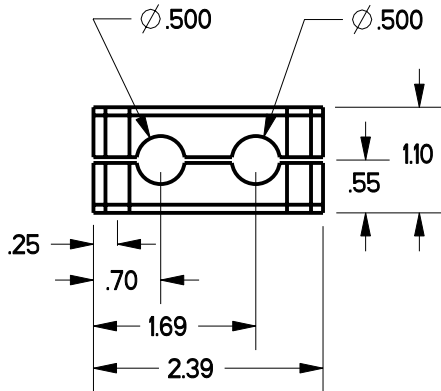
ALBFLB-234-00



ALBFLB-235-00

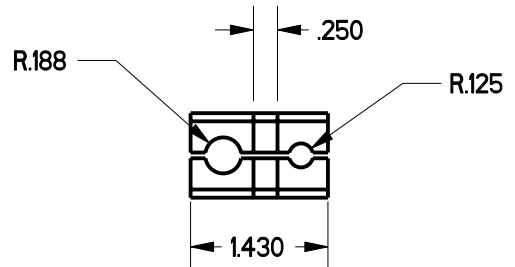
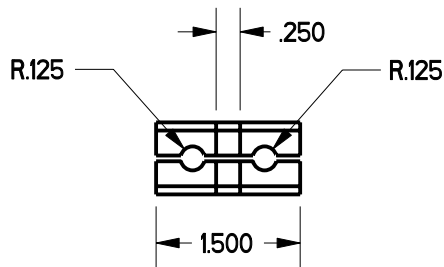
For all product information, consult Amphenol Air LB North America Inc.

FAIRLEAD BLOCK ASSEMBLY



ALBFLB-236-00

ALBFLB-237-00



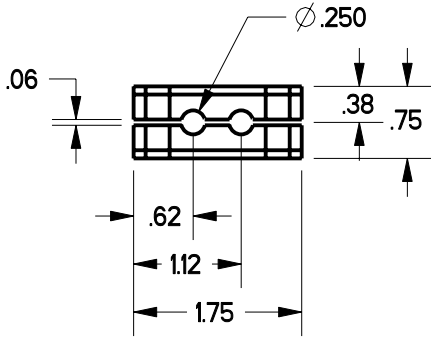
ALBFLB-238-00

ALBFLB-239-00

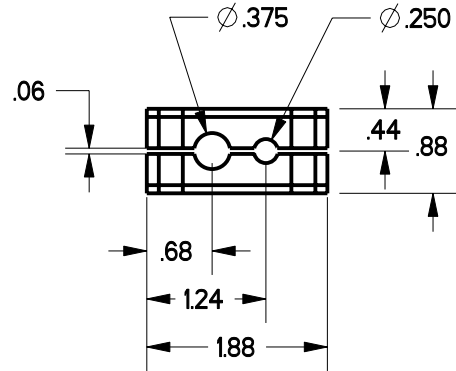
For all product information, consult Amphenol Air LB North America Inc.

FAIRLEAD BLOCK ASSEMBLY

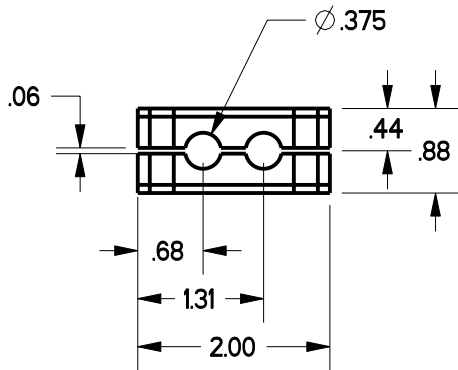
STANDARD FAIRLEAD BLOCKS WITH GAP



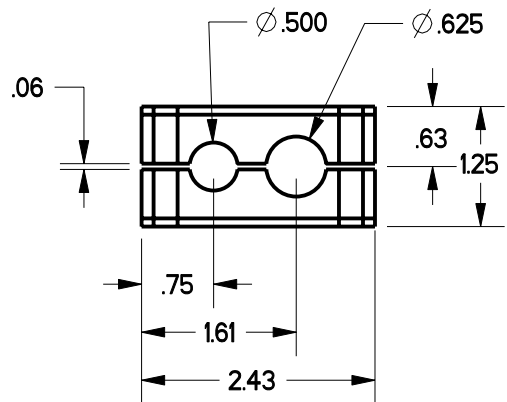
ALBFLB-251-00



ALBFLB-252-00



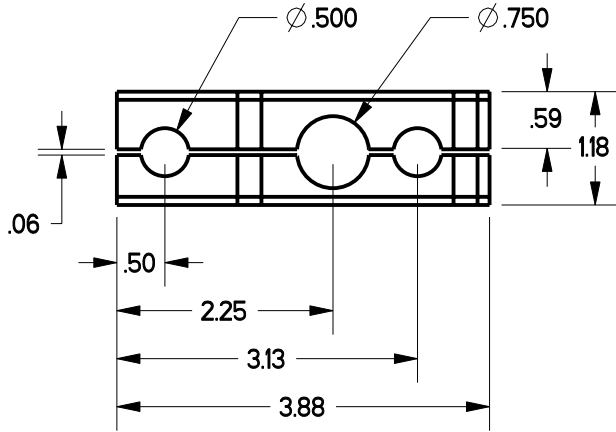
ALBFLB-253-00



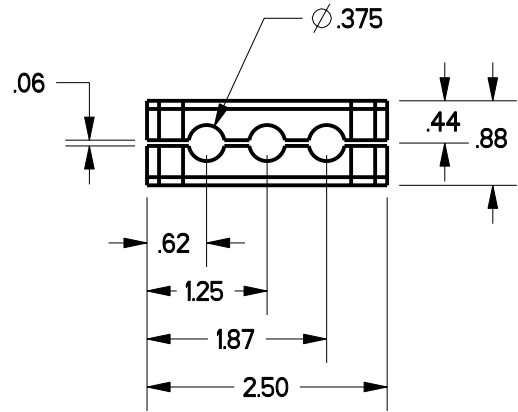
ALBFLB-254-00

For all product information, consult Amphenol Air LB North America Inc.

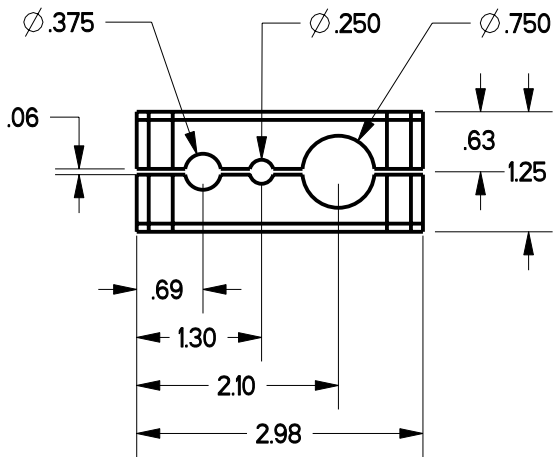
FAIRLEAD BLOCK ASSEMBLY



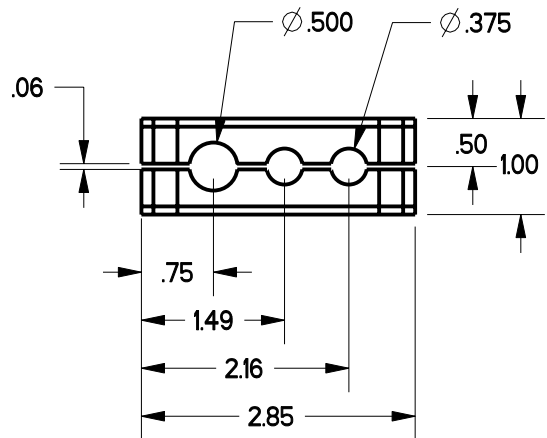
ALBFLB-332-00



ALBFLB-351-00



ALBFLB-352-00



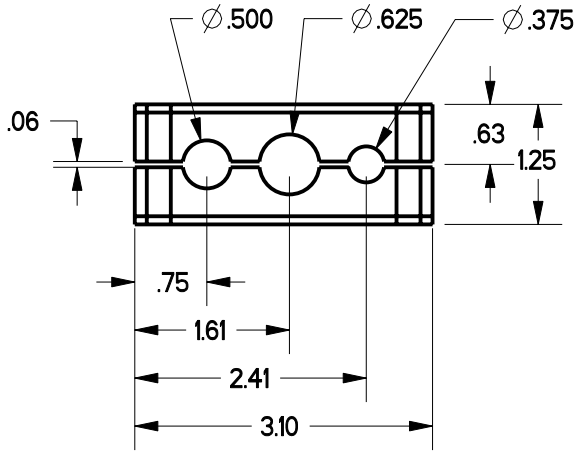
ALBFLB-353-00

STANDARD FAIRLEAD BLOCKS WITH GAP

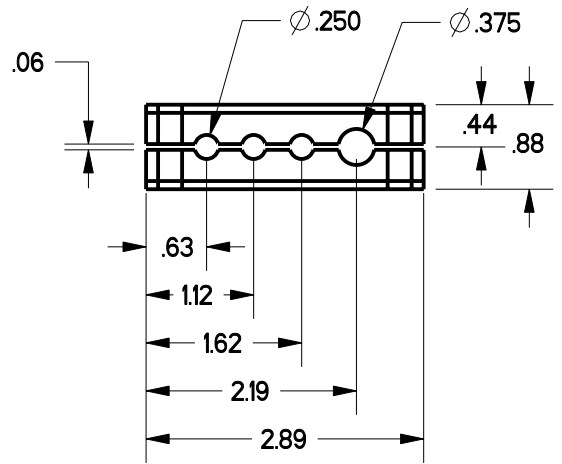
For all product information, consult Amphenol Air LB North America Inc.

FAIRLEAD BLOCK ASSEMBLY

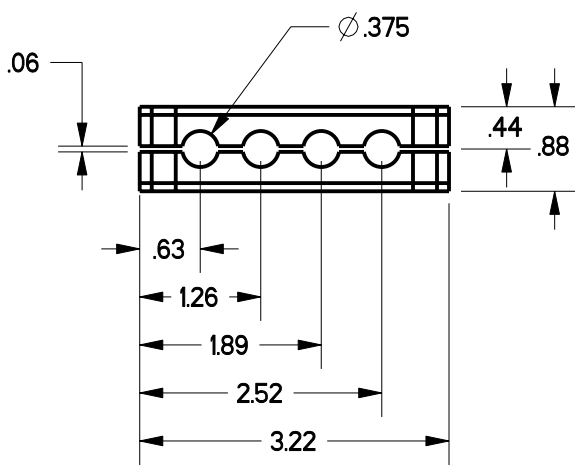
STANDARD FAIRLEAD BLOCKS WITH GAP



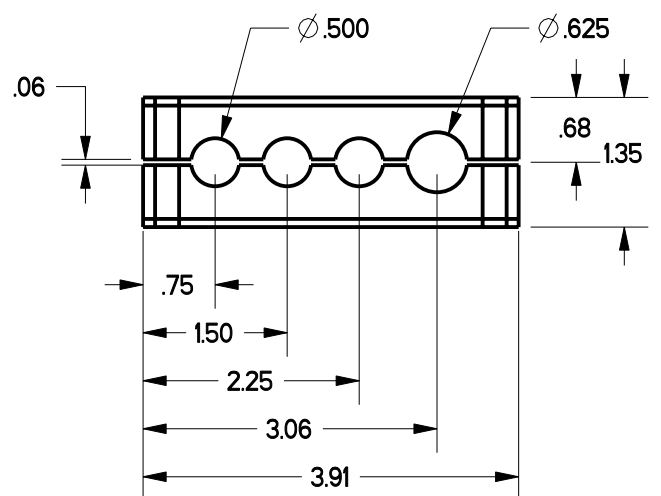
ALBFLB-355-00



ALBFLB-421-00



ALBFLB-422-00

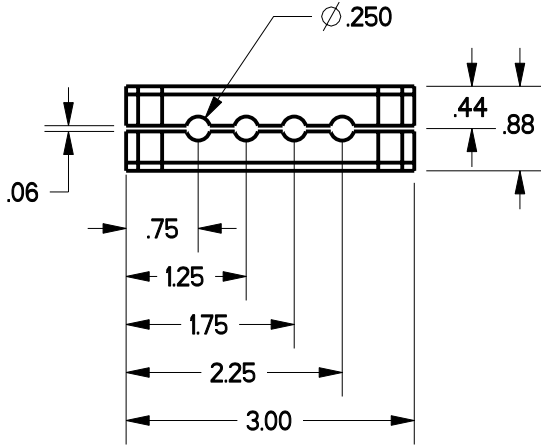


ALBFLB-431-00

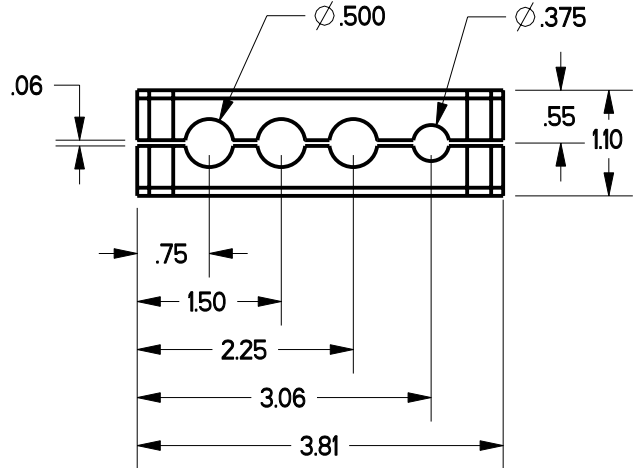
For all product information, consult Amphenol Air LB North America Inc.

FAIRLEAD BLOCK ASSEMBLY

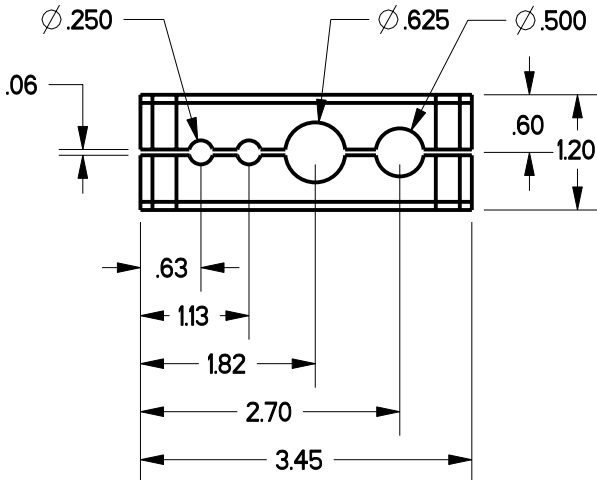
STANDARD FAIRLEAD BLOCKS WITH GAP



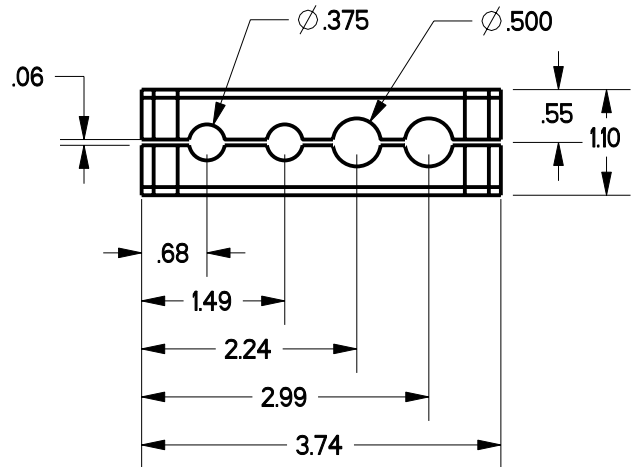
ALBFLB-432-00



ALBFLB-433-00



ALBFLB-434-00

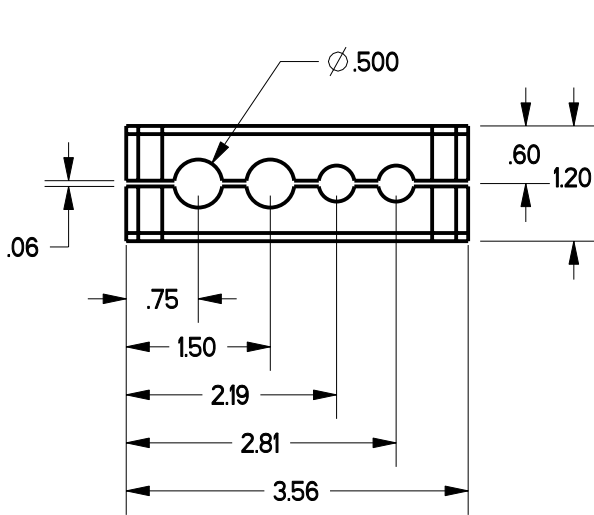


ALBFLB-435-00

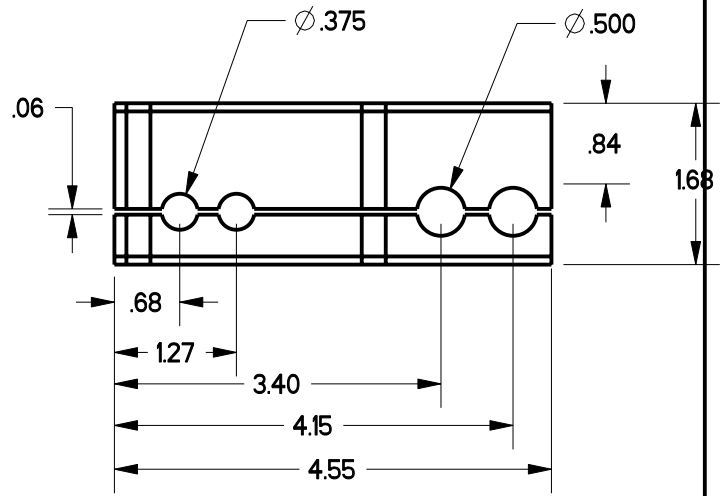
For all product information, consult Amphenol Air LB North America Inc.

FAIRLEAD BLOCK ASSEMBLY

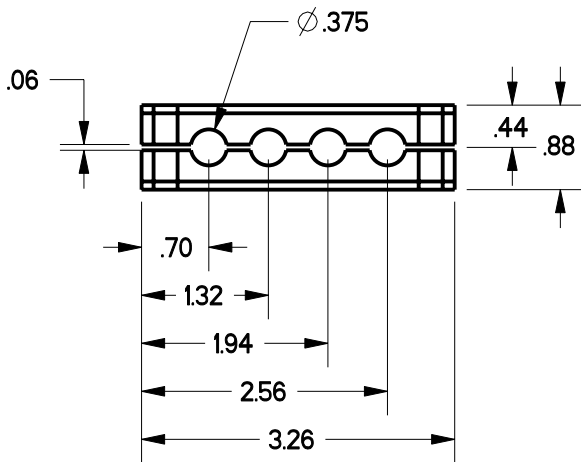
STANDARD FAIRLEAD BLOCKS WITH GAP



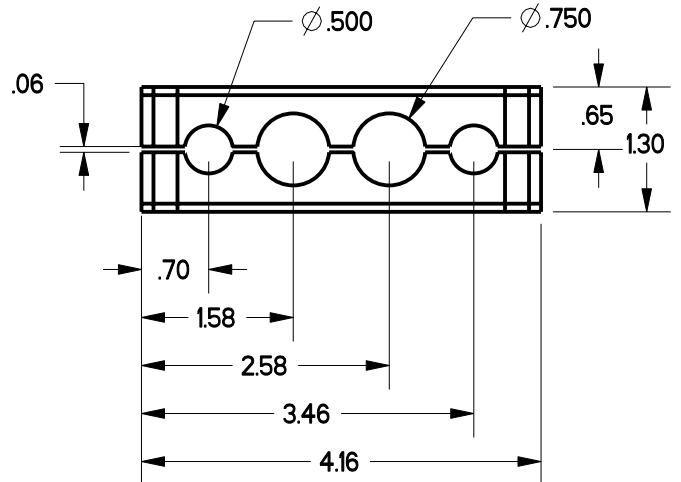
ALBFLB-436-00



ALBFLB-437-00



ALBFLB-438-00

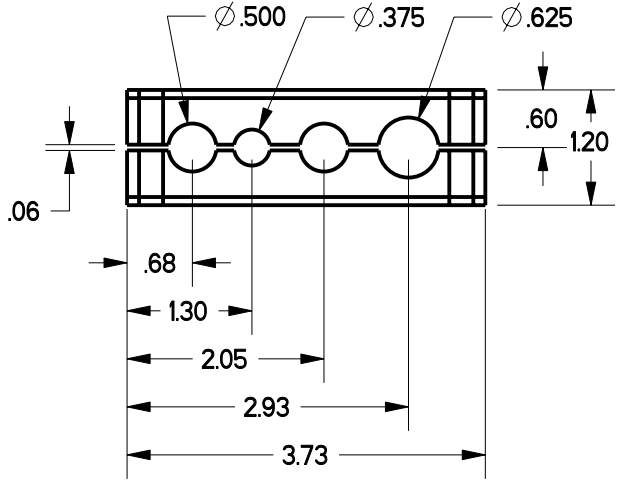


ALBFLB-439-00

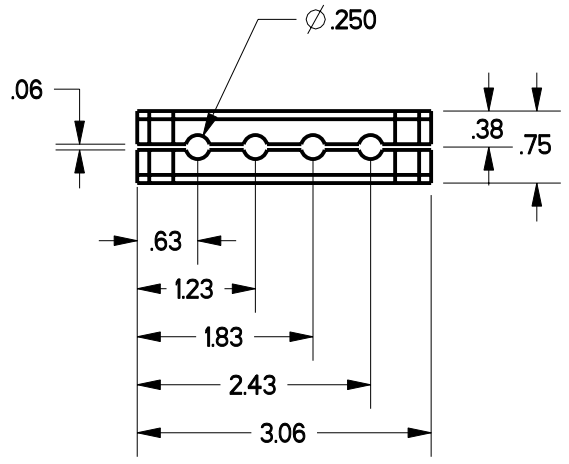
For all product information, consult Amphenol Air LB North America Inc.

FAIRLEAD BLOCK ASSEMBLY

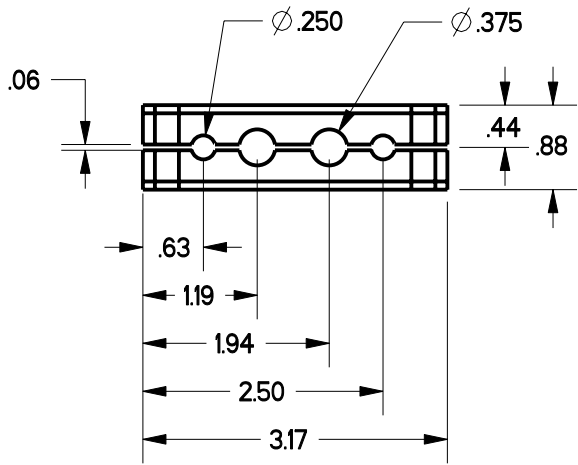
STANDARD FAIRLEAD BLOCKS WITH GAP



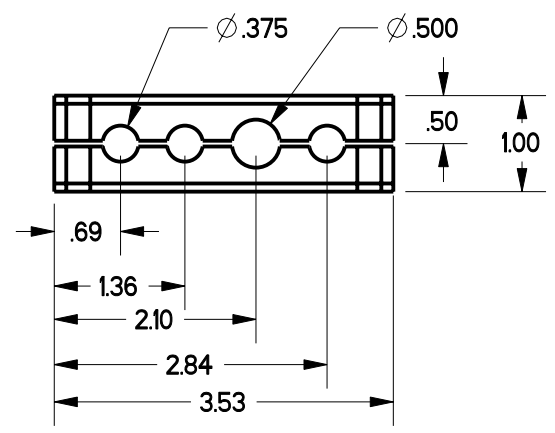
ALBFLB-440-00



ALBFLB-441-00



ALBFLB-442-00

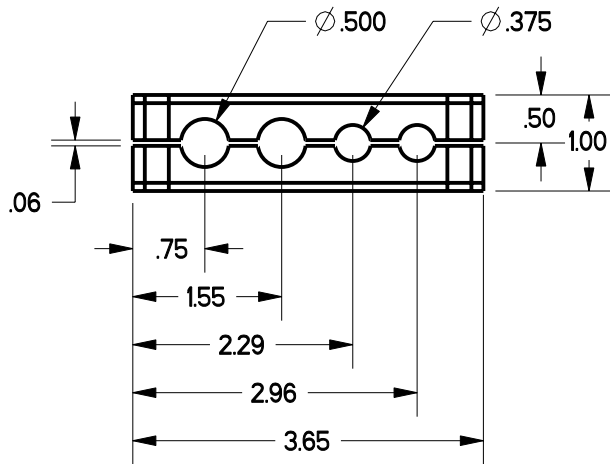


ALBFLB-452-00

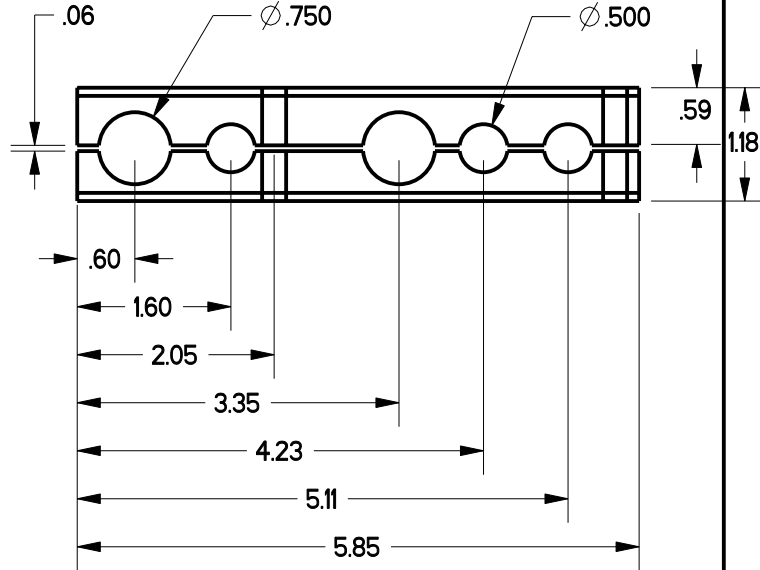
For all product information, consult Amphenol Air LB North America Inc.

FAIRLEAD BLOCK ASSEMBLY

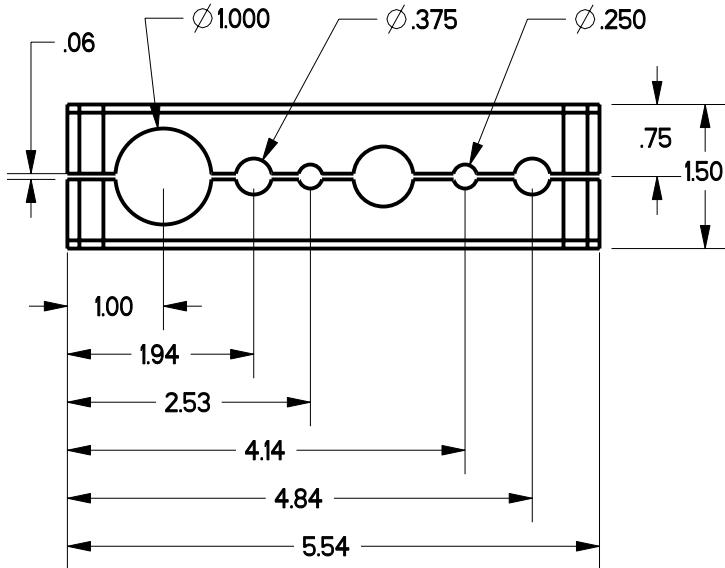
STANDARD FAIRLEAD BLOCKS WITH GAP



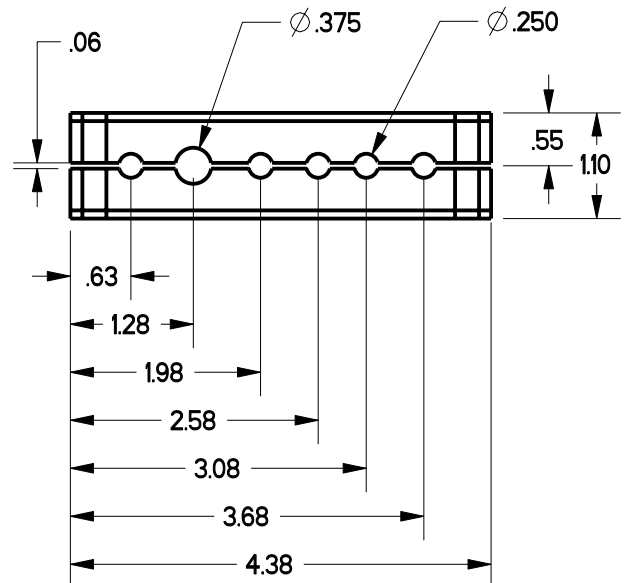
ALBFLB-454-00



ALBFLB-531-00



ALBFLB-624-00

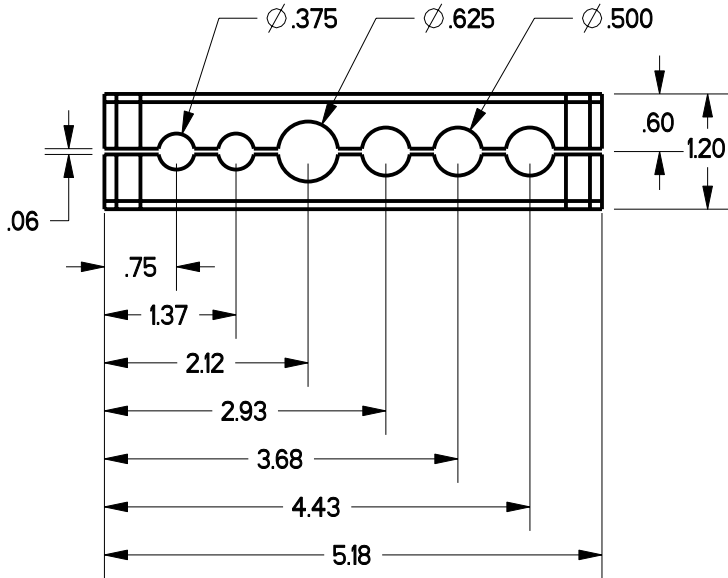


ALBFLB-625-00

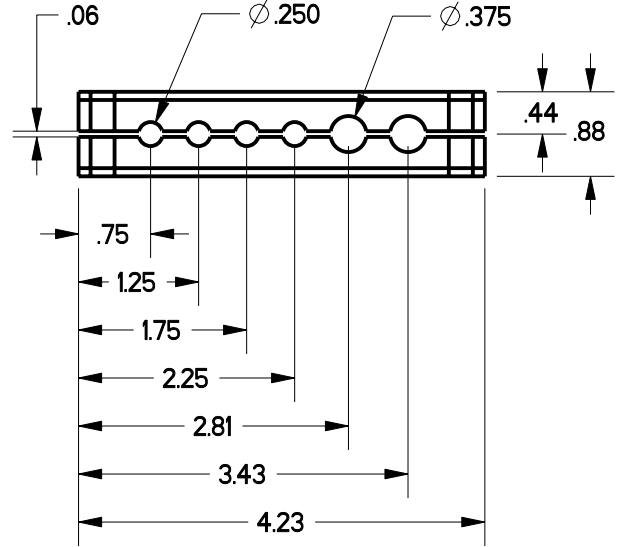
For all product information, consult Amphenol Air LB North America Inc.

FAIRLEAD BLOCK ASSEMBLY

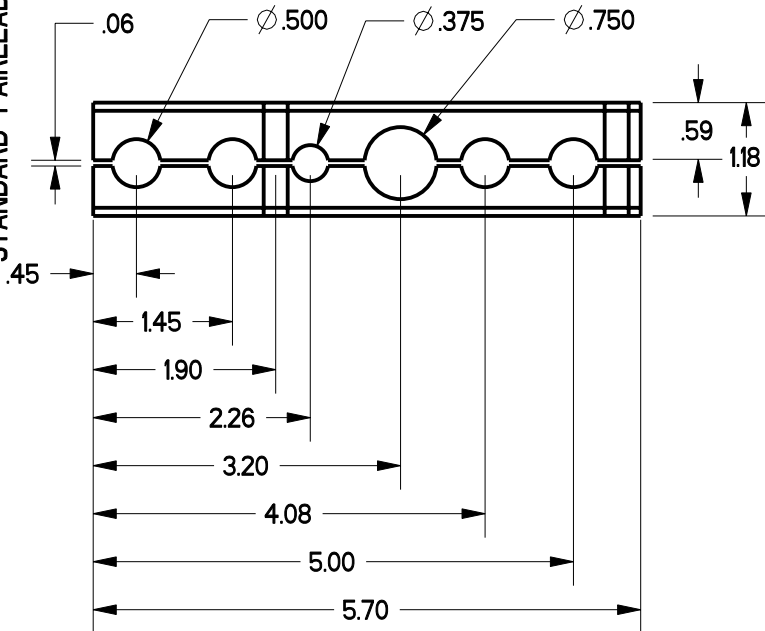
STANDARD FAIRLEAD BLOCKS WITH GAP



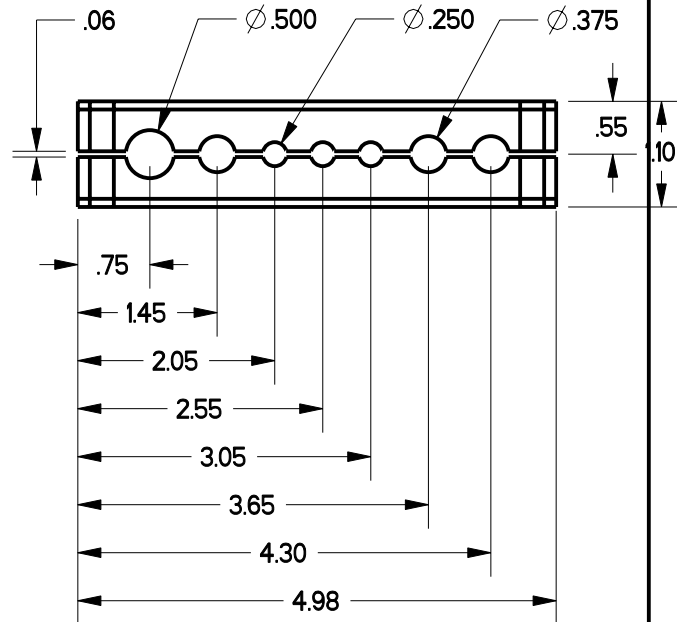
ALBFLB-631-00



ALBFLB-632-00



ALBFLB-633-00

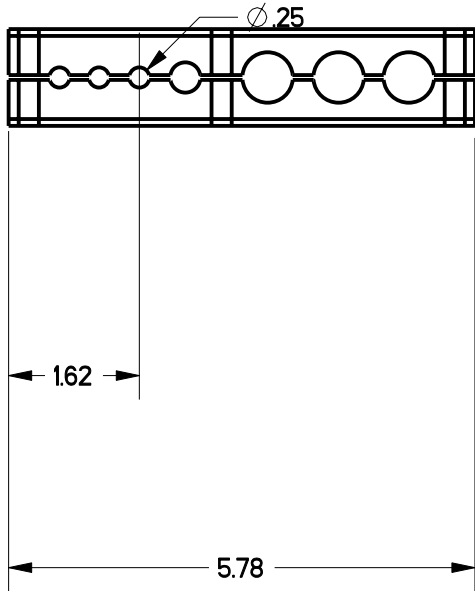


ALBFLB-721-00

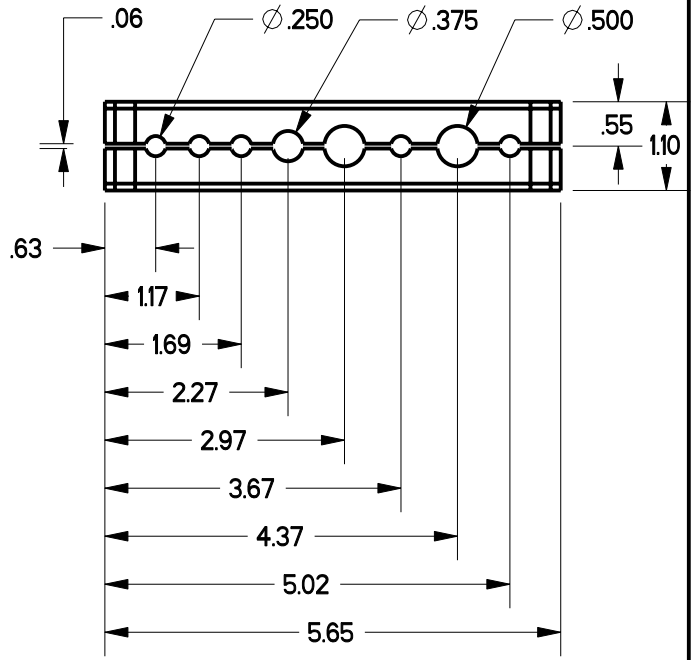
For all product information, consult Amphenol Air LB North America Inc.

FAIRLEAD BLOCK ASSEMBLY

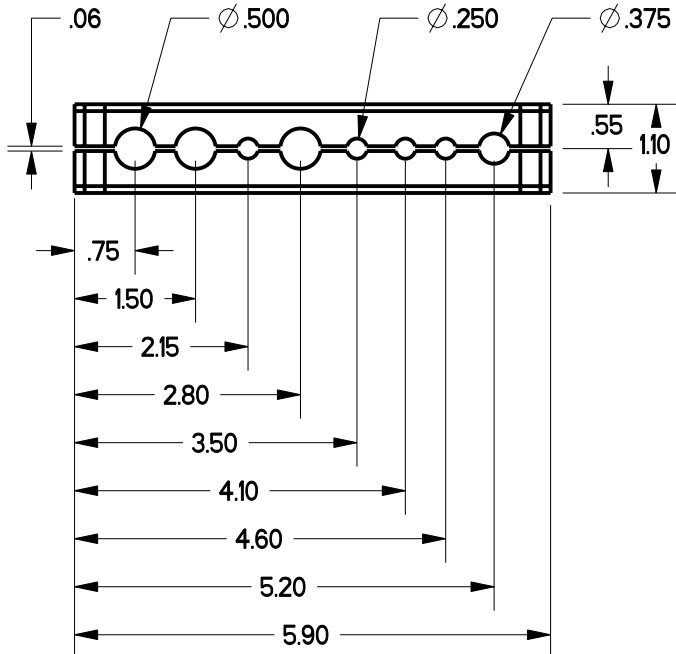
STANDARD FAIRLEAD BLOCKS WITH GAP



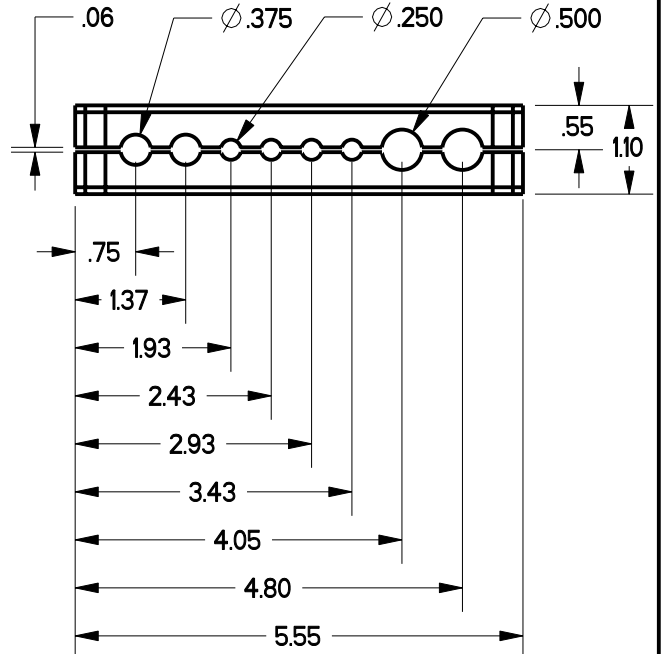
ALBFLB-724-00



ALBFLB-821-00



ALBFLB-825-00

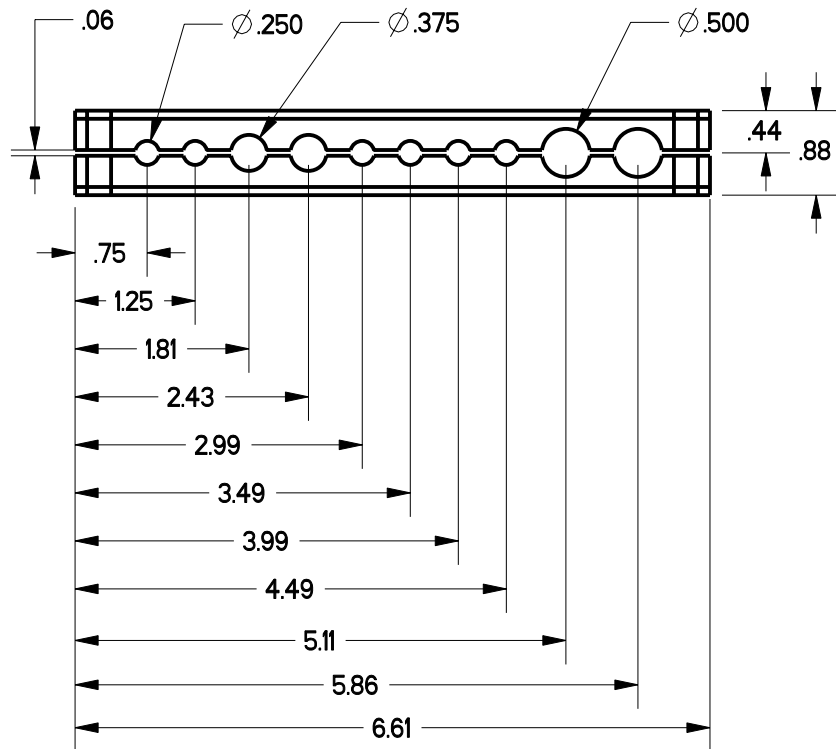


ALBFLB-831-00

For all product information, consult Amphenol Air LB North America Inc.

FAIRLEAD BLOCK ASSEMBLY

STANDARD FAIRLEAD BLOCKS WITH GAP

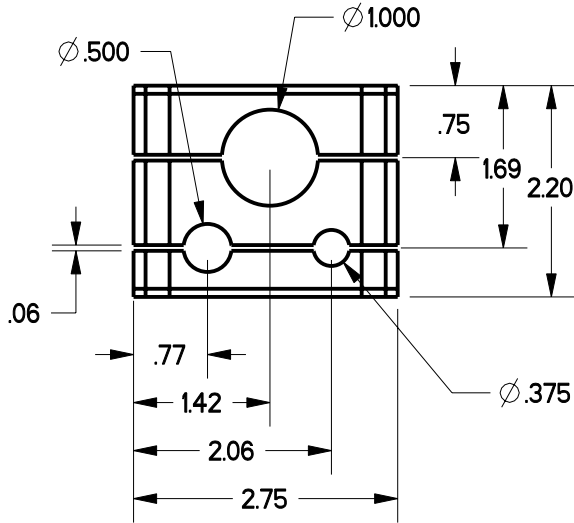


ALBFLB-A31-00

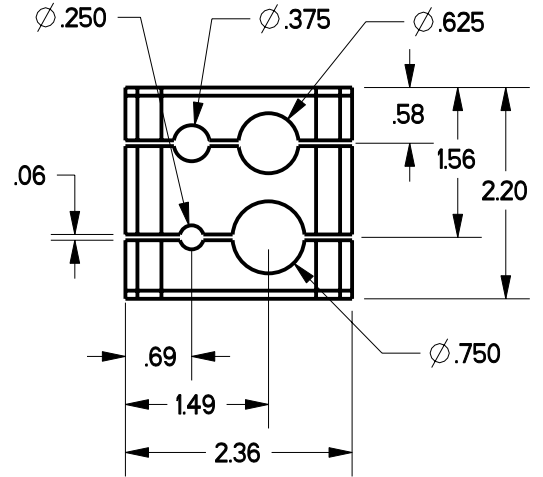
For all product information, consult Amphenol Air LB North America Inc.

FAIRLEAD BLOCK ASSEMBLY

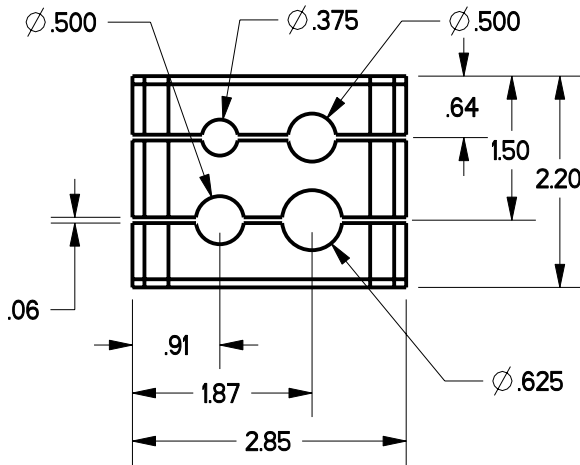
STANDARD MULTI-LEVEL FAIRLEAD BLOCKS WITH GAP



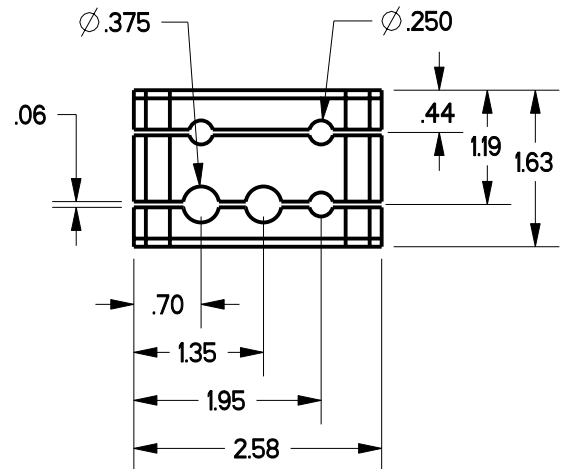
ALBFLB-354-00



ALBFLB-451-00



ALBFLB-453-00

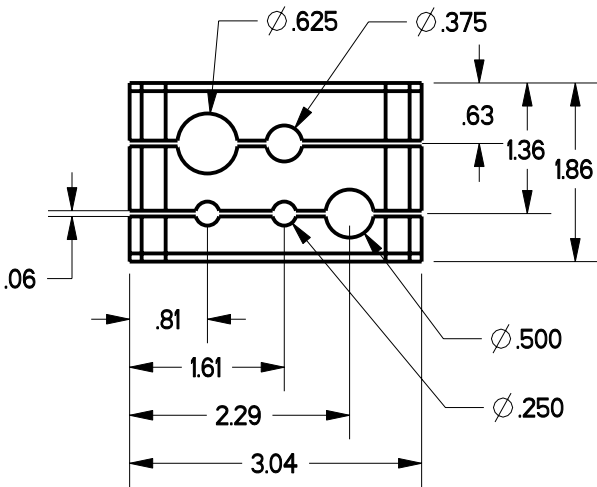


ALBFLB-521-00

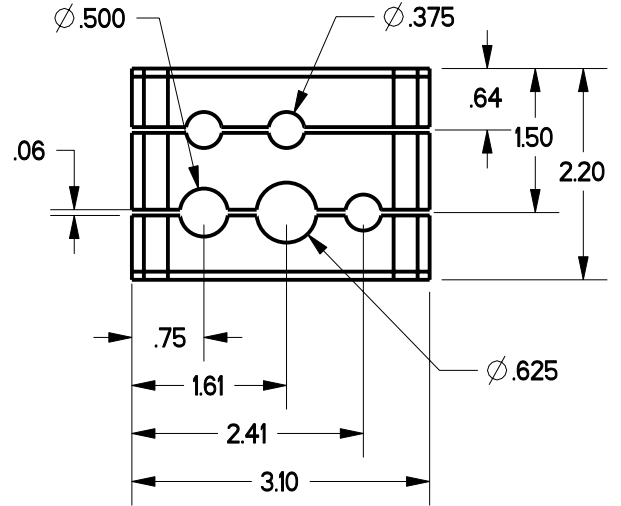
For all product information, consult Amphenol Air LB North America Inc.

FAIRLEAD BLOCK ASSEMBLY

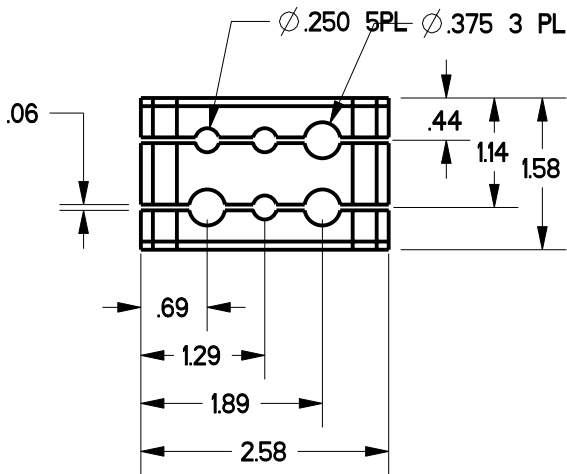
STANDARD MULTI-LEVEL FAIRLEAD BLOCKS WITH GAP



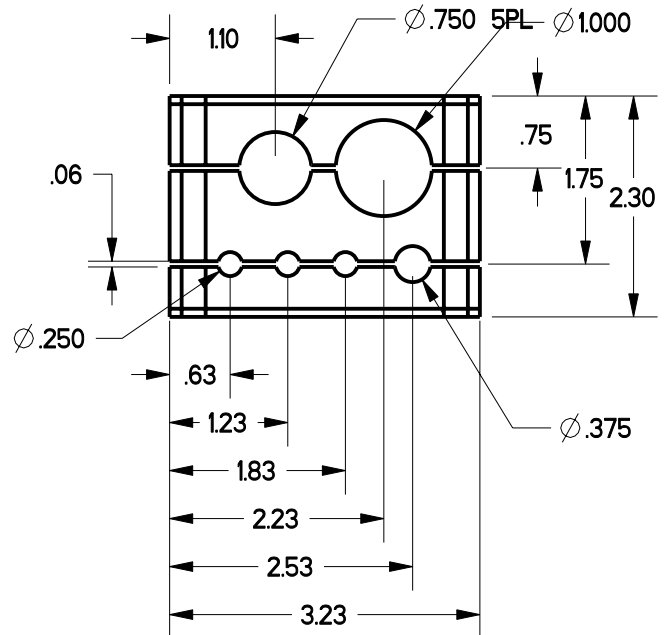
ALBFLB-551-00



ALBFLB-552-00



ALBFLB-621-00

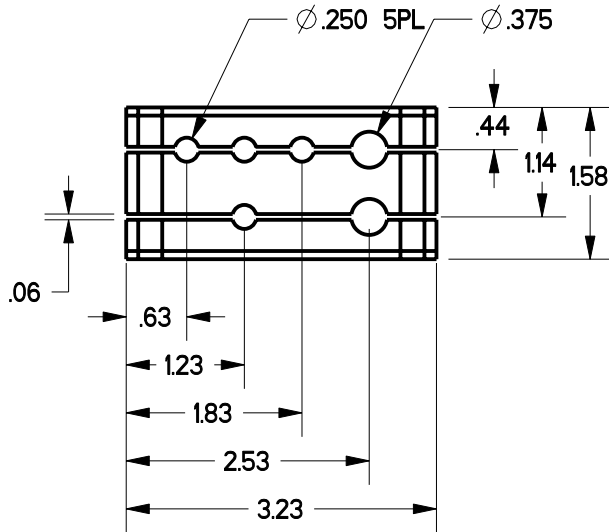


ALBFLB-622-00

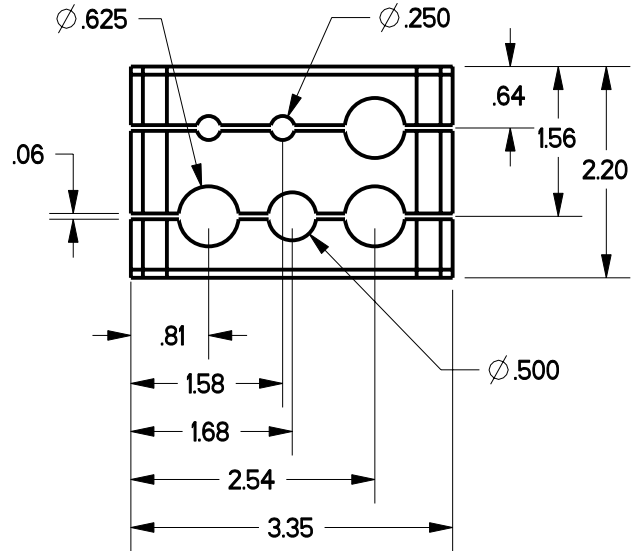
For all product information, consult Amphenol Air LB North America Inc.

FAIRLEAD BLOCK ASSEMBLY

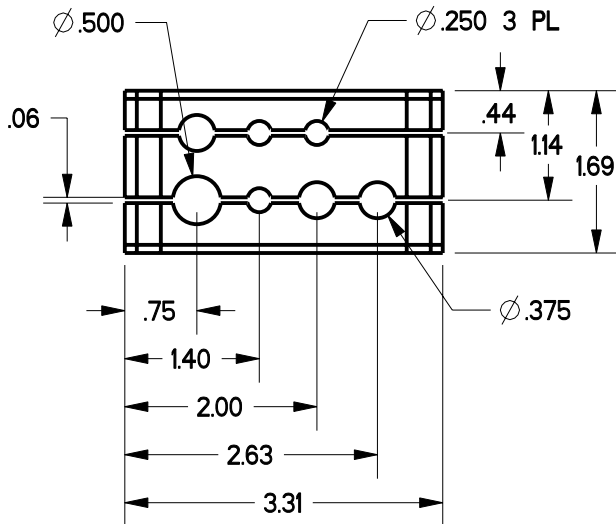
STANDARD MULTI-LEVEL FAIRLEAD BLOCKS WITH GAP



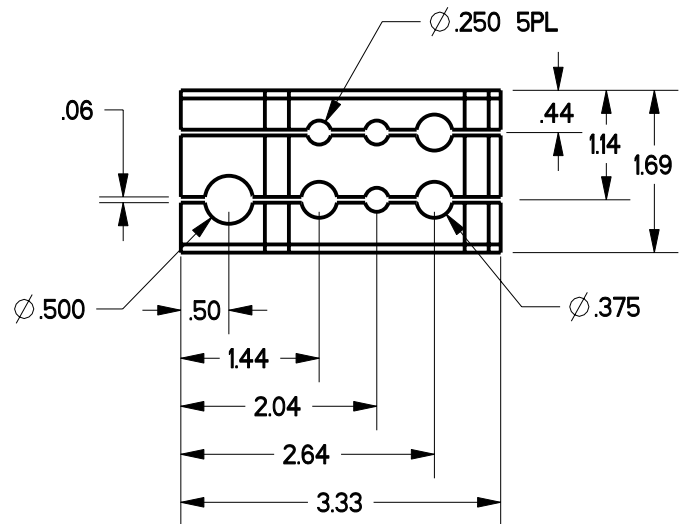
ALBFLB-623-00



ALBFLB-651-00



ALBFLB-722-00

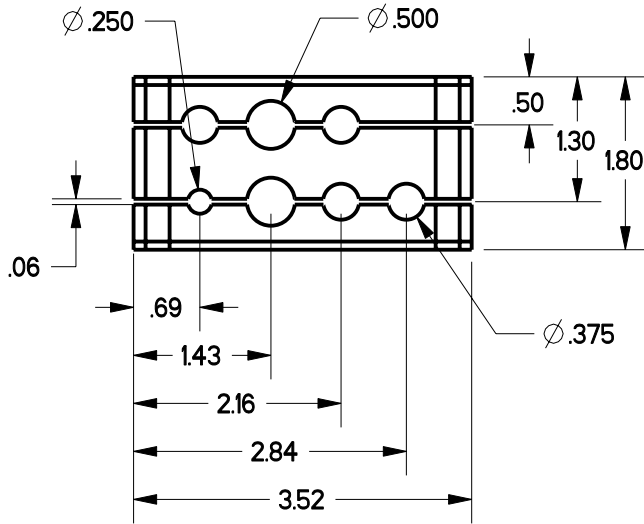


ALBFLB-723-00

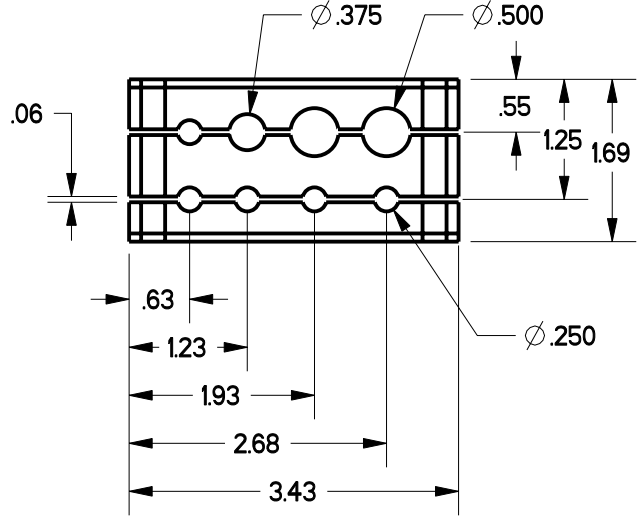
For all product information, consult Amphenol Air LB North America Inc.

FAIRLEAD BLOCK ASSEMBLY

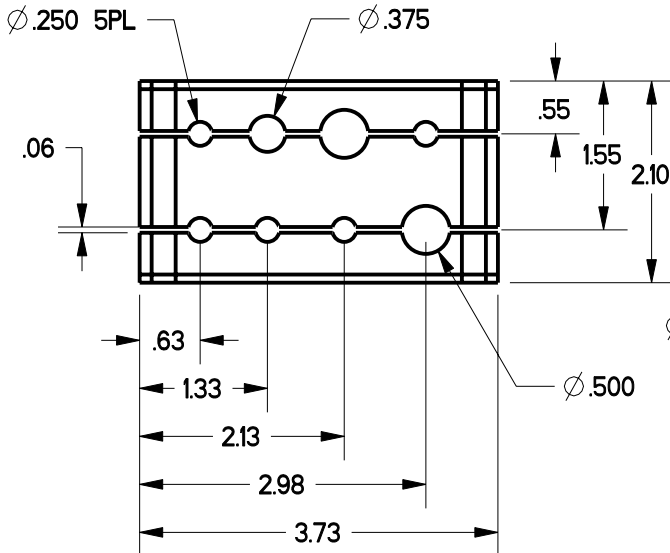
STANDARD MULTI-LEVEL FAIRLEAD BLOCKS WITH GAP



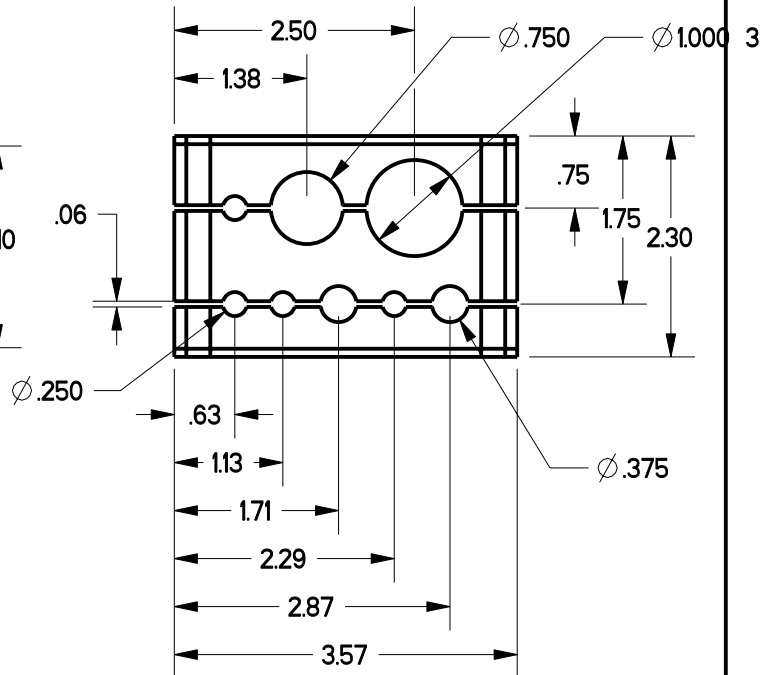
ALBFLB-751-00



ALBFLB-822-00



ALBFLB-823-00

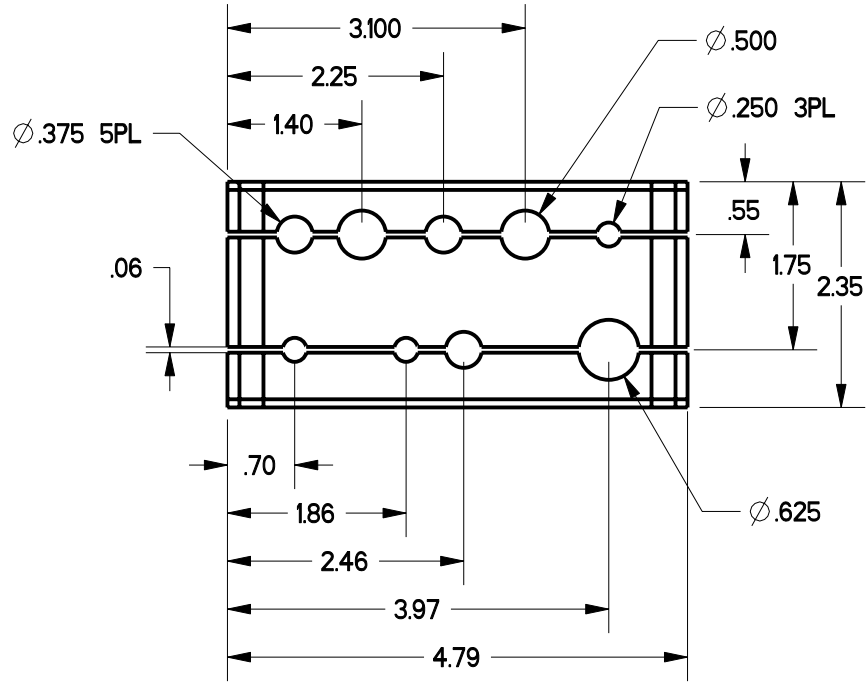


ALBFLB-824-00

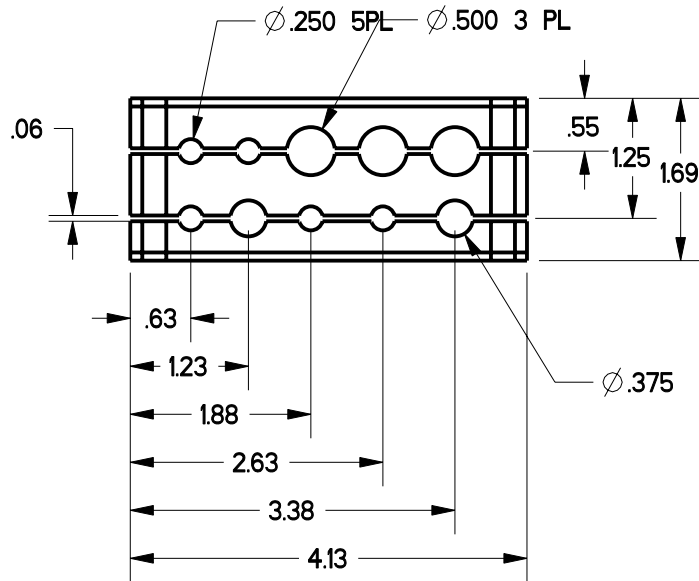
For all product information, consult Amphenol Air LB North America Inc.

FAIRLEAD BLOCK ASSEMBLY

STANDARD MULTI-LEVEL FAIRLEAD BLOCKS WITH GAP



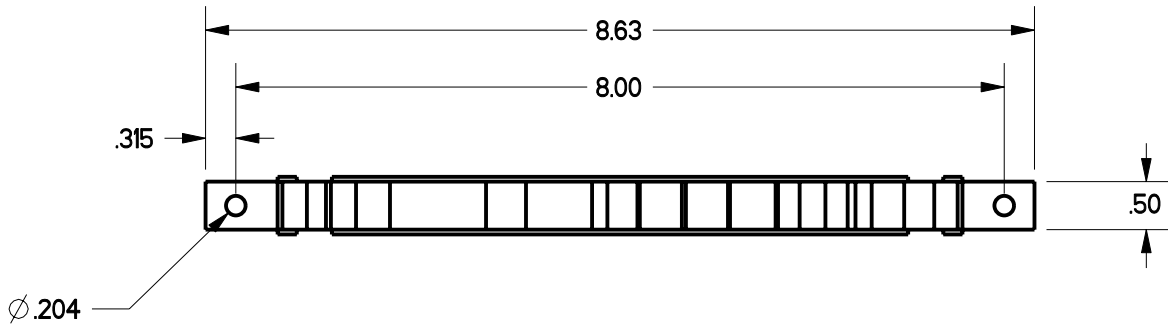
ALBFLB-921-00



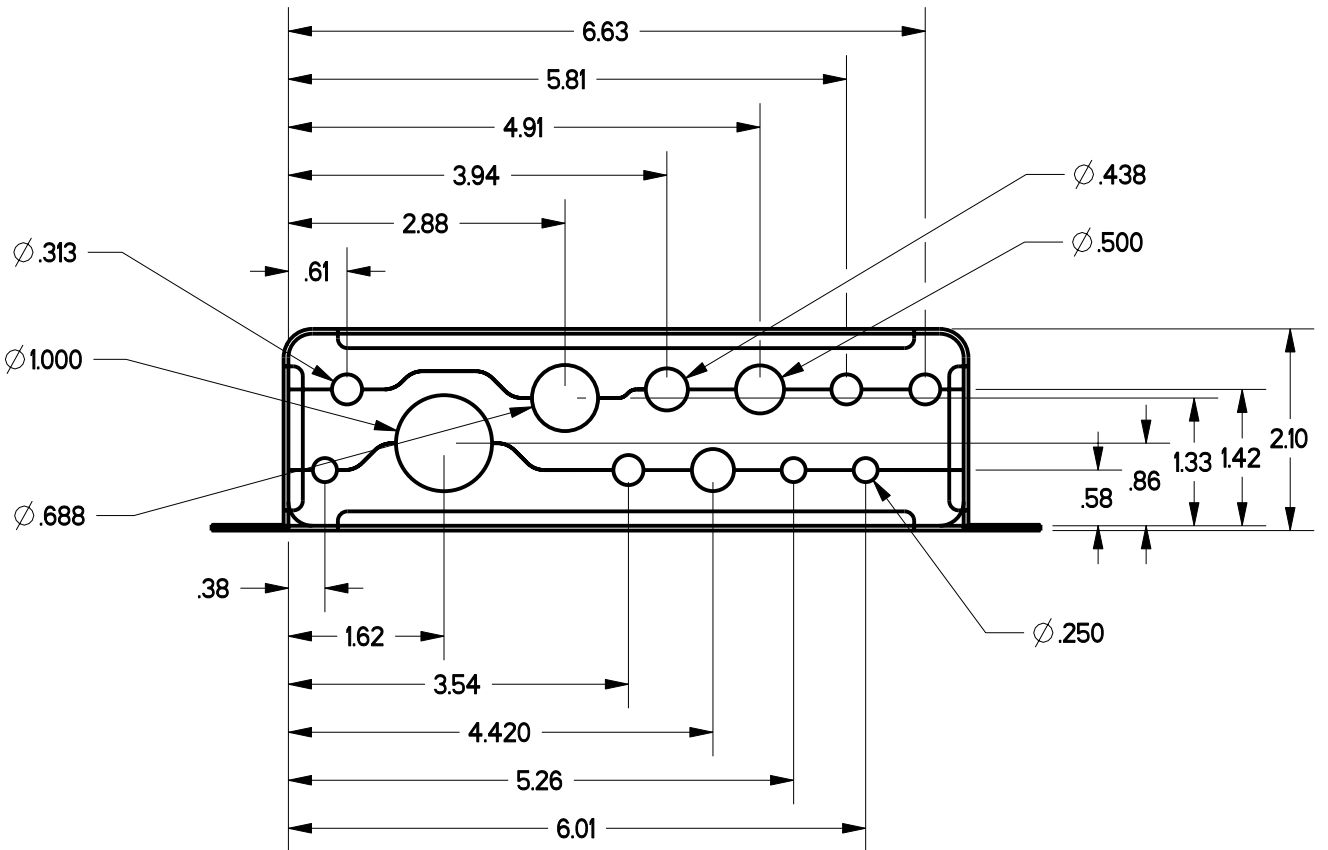
ALBFLB-A21-00

For all product information, consult Amphenol Air LB North America Inc.

FAIRLEAD BLOCK ASSEMBLY



CUSTOMIZED FAIRLEAD BLOCKS



ALBFLB-C01-00

For all product information, consult Amphenol Air LB North America Inc.

CABLE SUPPORT

ADVANTAGES

Weight reduction
Cost reduction
Recommended application for cables up to 1.18" diameter
Reduced Inventory

TECHNICAL DATA:

Temperature range: -65° F +185° F

Material: Nylon 6/6 natural Zytel 103 HSL

Resistance to chemical agents: ASTM 543, MIL-T-81533, TT-T-266, TT-M-261,
ASTN D 1635, MIL-T-5624, MIL-T-83133

Flamability: As per FAA 25.853-B

USERS WARNING

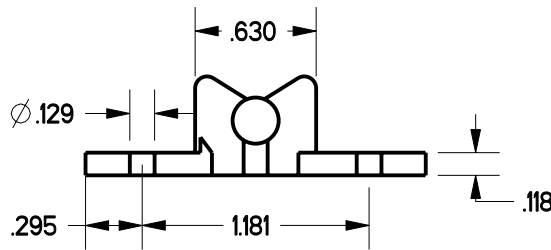
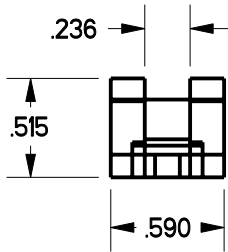
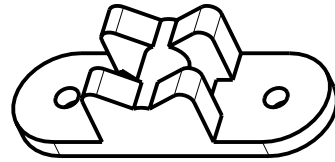
Do not use any desiccant agents in storage
Humidity variation may cause a change in material color
Changes in color do not affect the technical properties of the part

For all product information, consult Amphenol Air LB North America Inc.

CABLE SUPPORTS

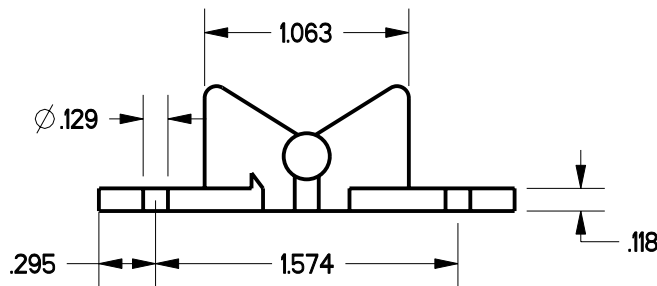
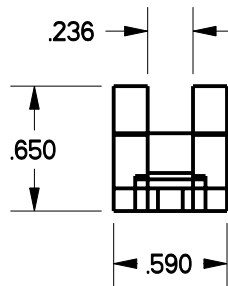
STRAIGHT SUPPORTS

Temperature range: -65° F +185° F



Ø Wiring (inch)	Weight (10 .lbs) ³
0.08 to 0.59	6.61

ALBCBS-001-05



Ø Wiring (inch)	Weight (10 .lbs) ³
0.08 to 1.18	9.91

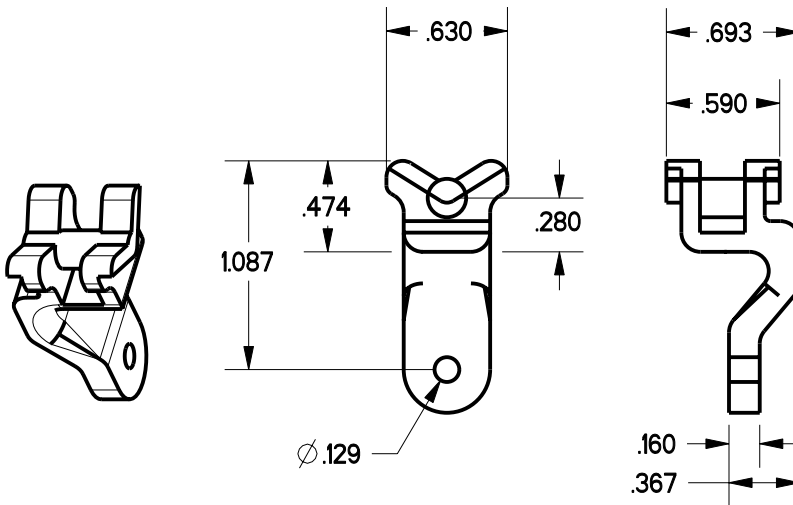
ALBCBS-001-06

For all product information, consult Amphenol Air LB North America Inc.

CABLE SUPPORTS

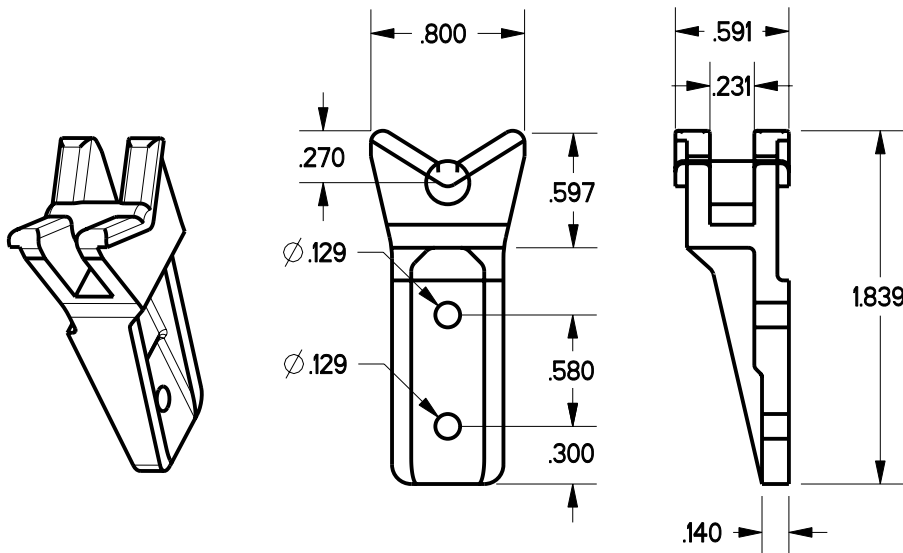
CABLE SUPPORTS FOR SPECIFIC APPLICATIONS

Temperature range: -65° F +185° F



∅ Wiring (inch)	Weight (10 .lbs) ₃
0.08 to 0.59	7.99

ALBCBS-307-59



∅ Wiring (inch)	Weight ³ (10 .lbs)
0.08 to 0.59	18

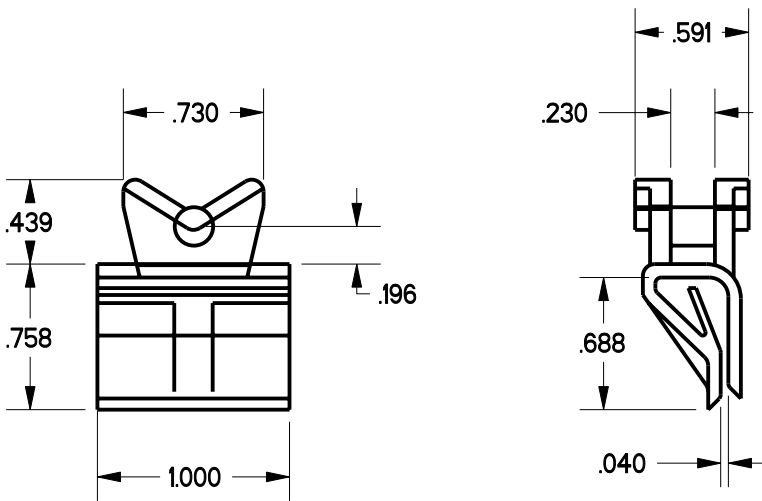
ALBCBS-308-59

For all product information, consult Amphenol Air LB North America Inc.

CABLE SUPPORTS

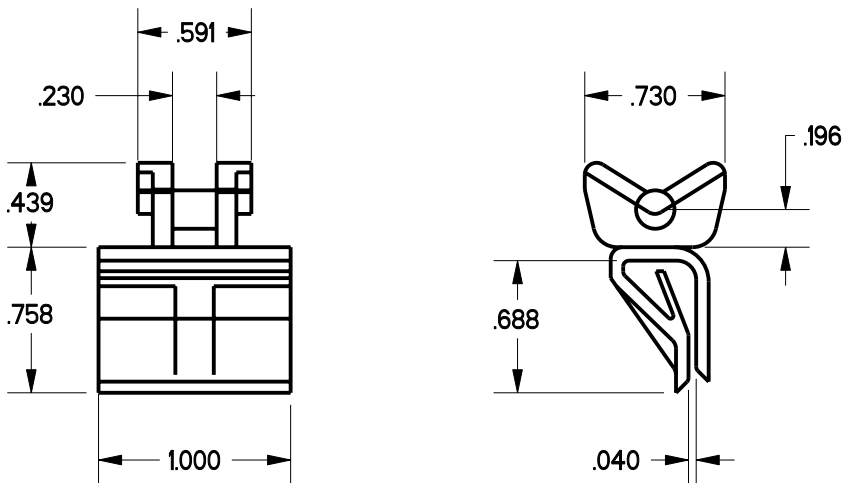
CABLE SUPPORTS FOR SPECIFIC APPLICATIONS

Temperature range: -65°F +185°F



∅ Wiring (inch)	Weight (10 .lbs) ⁻³
0.08 to 0.59	7.49

ALBCBS-310-59-01



∅ Wiring (inch)	Weight (10 .lbs) ⁻³
0.08 to 0.59	7.49

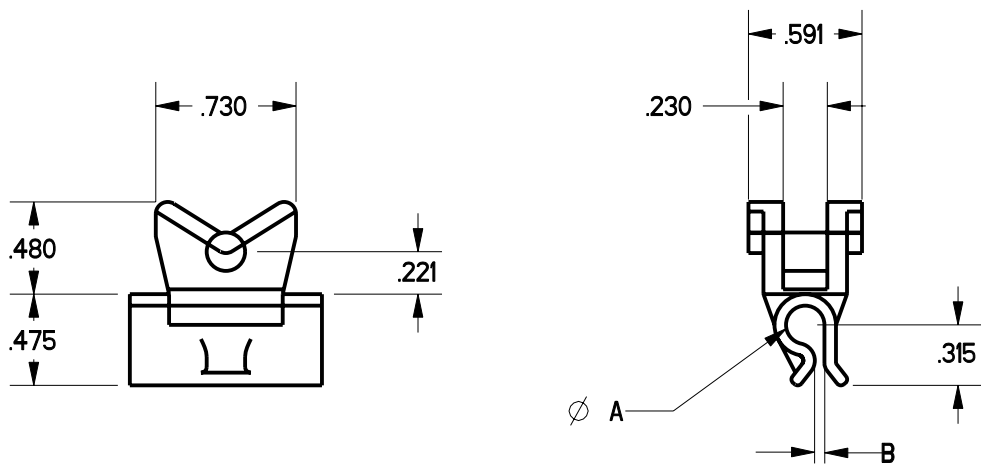
ALBCBS-310-59-02

For all product information, consult Amphenol Air LB North America Inc.

CABLE SUPPORTS

CABLE SUPPORTS FOR SPECIFIC APPLICATIONS

Temperature range: -65°F +185°F



Part Number	Ø Wiring (inch)	Ø A	B	Color	Weight (10 ⁻³ .lbs)
ALBCBS-304-59-01	0.08 to 0.59	0.200	0.050	Green	6.3
ALBCBS-304-59-03	0.08 to 0.59	0.250	0.063	White	6.6
ALBCBS-304-59-07	0.08 to 0.59	0.280	0.080	Grey	7.6

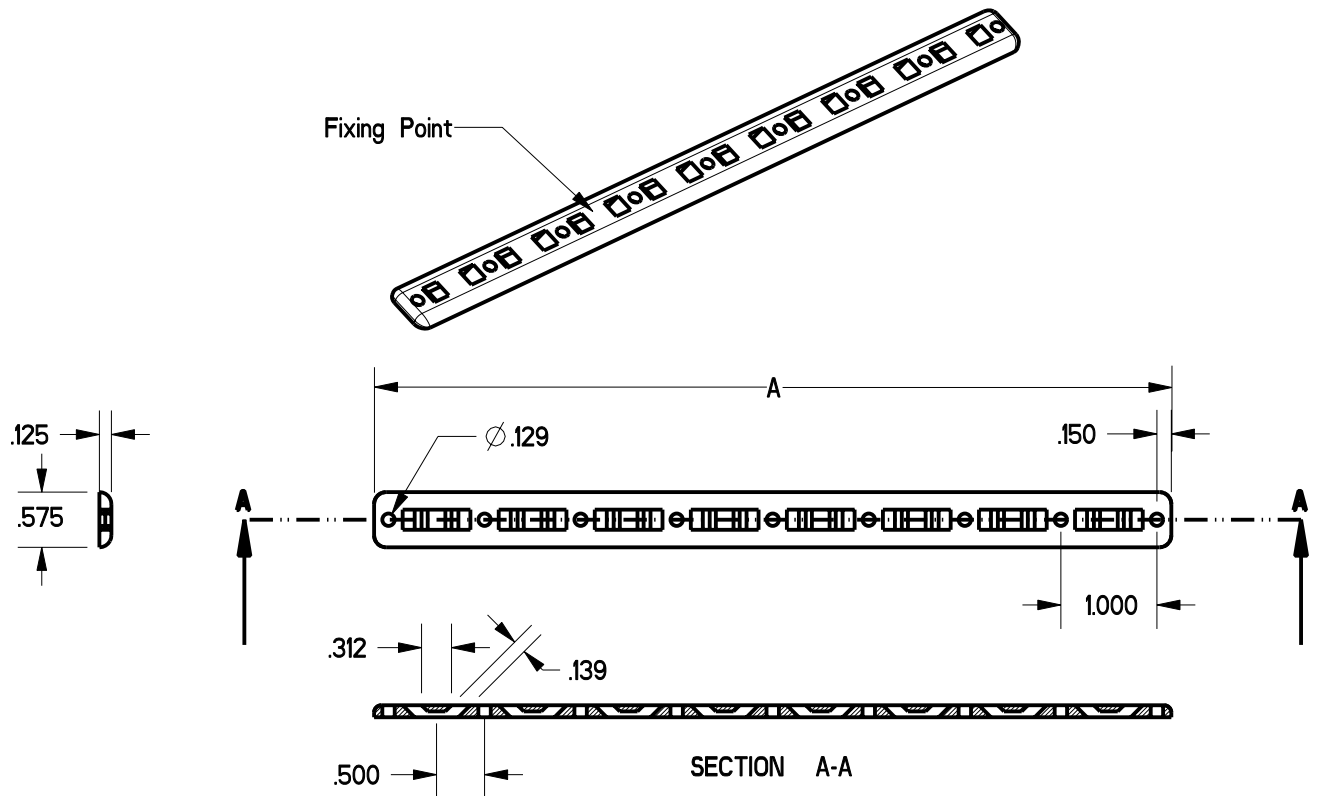
For all product information, consult Amphenol Air LB North America Inc.

CABLE SUPPORTS

HARNESS TIEDOWN STRIP

Temperature range: -65° F +185° F

New generation of very low profil cable support



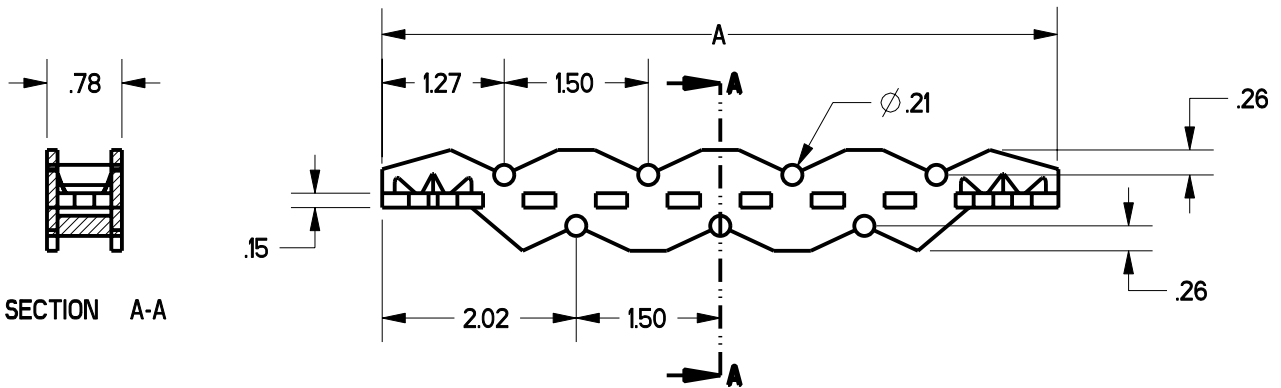
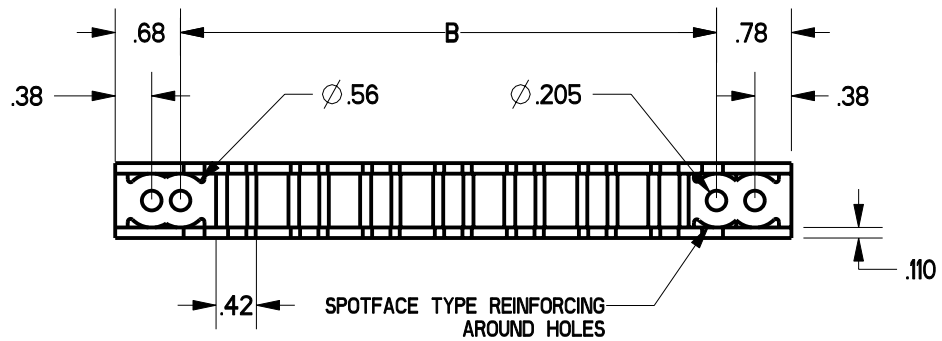
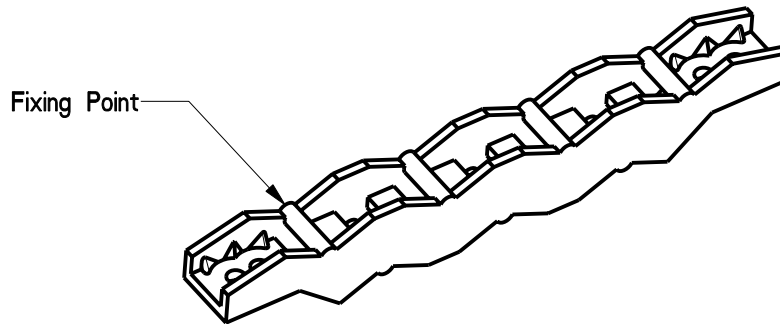
Part Number	Length "A"	Weight (10 .lbs)	Fixing Points
ALBCBS-303-59-1	1.30	-3 2.40	1
ALBCBS-303-59-3	2.30	4.10	2
ALBCBS-303-59-5	3.30	5.80	3
ALBCBS-303-59-7	4.30	8.60	4
ALBCBS-303-59-9	5.30	9.20	5
ALBCBS-303-59-11	6.30	11.00	6
ALBCBS-303-59-13	7.30	12.80	7
ALBCBS-303-59-15	8.30	14.50	8
ALBCBS-303-59-17	9.30	16.30	9
ALBCBS-303-59-19	10.30	18.00	10
ALBCBS-303-59-21	11.30	19.80	11
ALBCBS-303-59-23	12.30	21.60	12

For all product information, consult Amphenol Air LB North America Inc.

CABLE SUPPORTS

DOUBLE HARNESS SUPPORTS

Temperature range: -65°F +185°F



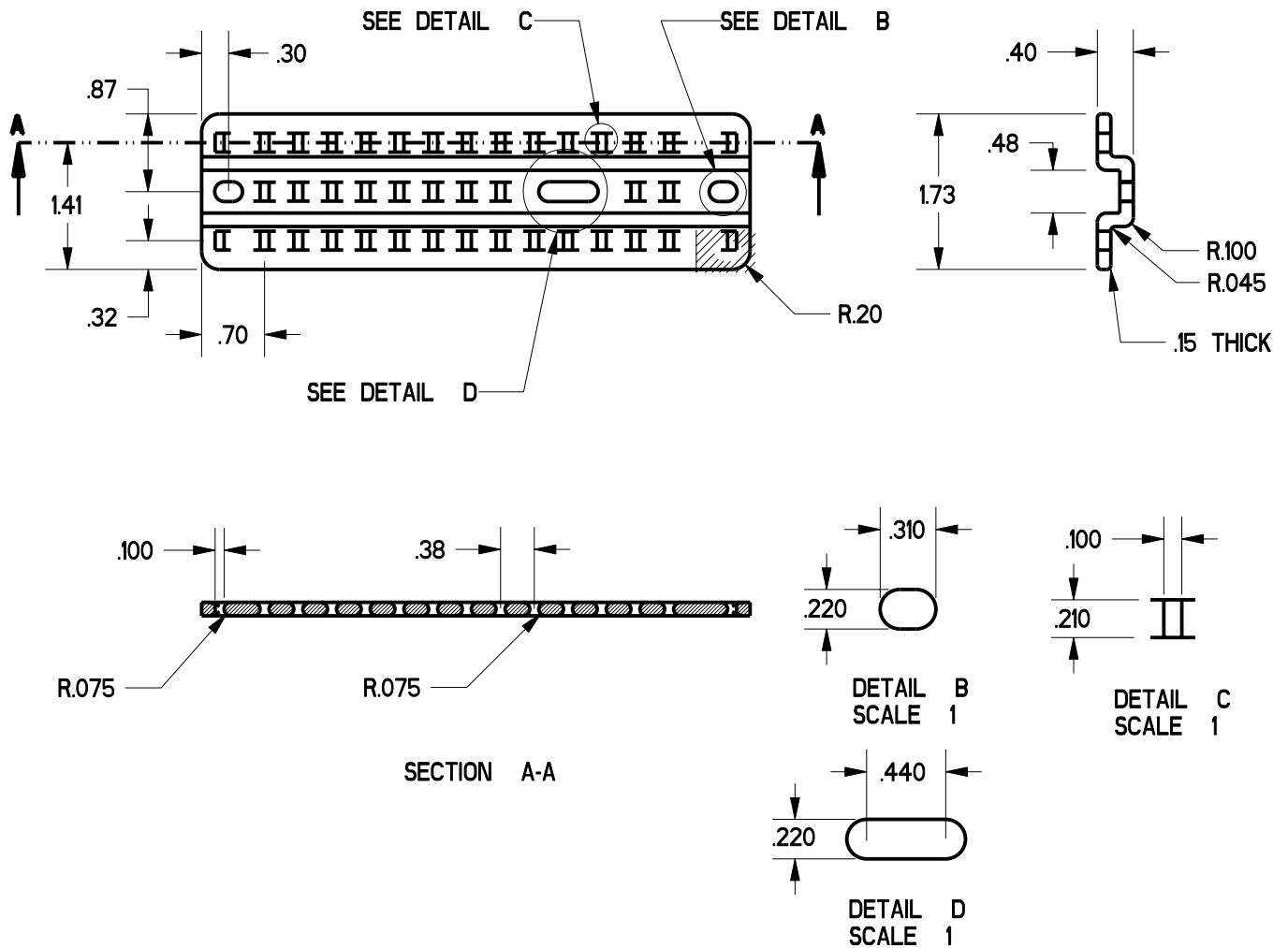
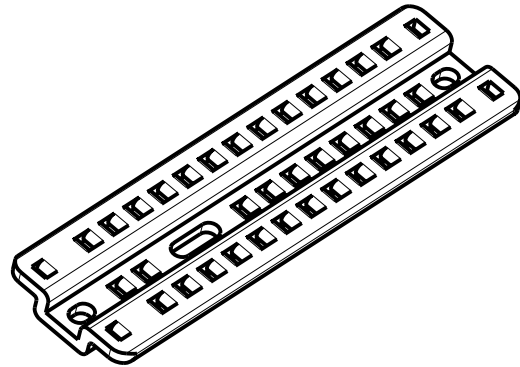
Part Number	Length "A"	Dim. "B"	Weight (lbs)	Fixing Points
ALBCBS-030-59-21	13.05	11.59	0.13	15
ALBCBS-030-59-23	11.55	10.09	0.11	13
ALBCBS-030-59-25	10.05	8.59	0.10	11
ALBCBS-030-59-27	8.55	7.09	0.08	9
ALBCBS-030-59-29	7.05	5.59	0.06	7

For all product information, consult Amphenol Air LB North America Inc.

CABLE SUPPORTS

HAT SUPPORTS FOR CABLE ASSEMBLIES

Temperature range: -65°F +185°F

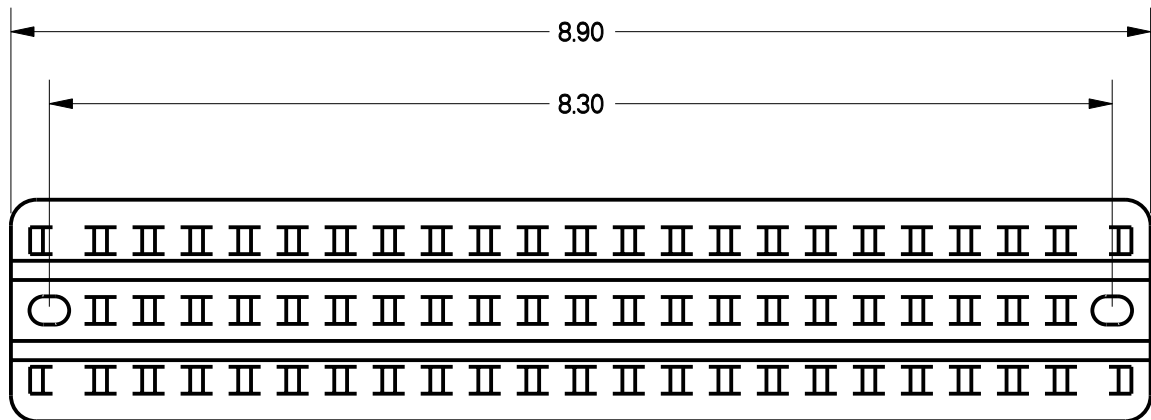


For all product information, consult Amphenol Air LB North America Inc.

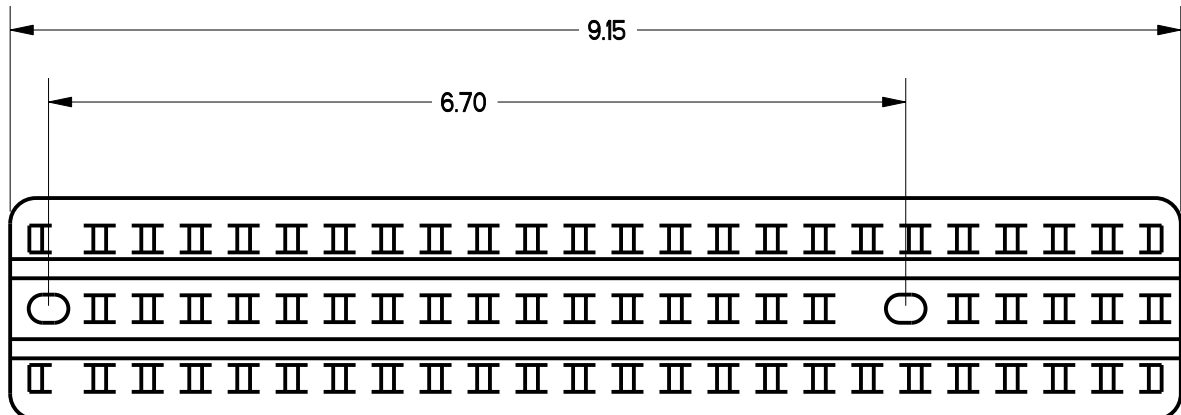
CABLE SUPPORTS

HAT SUPPORTS FOR CABLE ASSEMBLIES

Temperature range: -65° F +185° F



ALBCBS-312-59-01



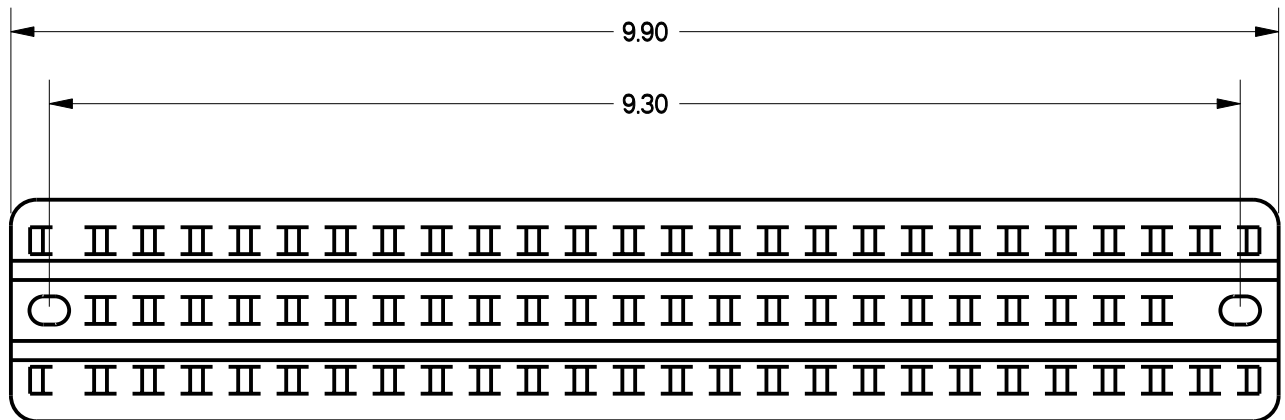
ALBCBS-312-59-02

For all product information, consult Amphenol Air LB North America Inc.

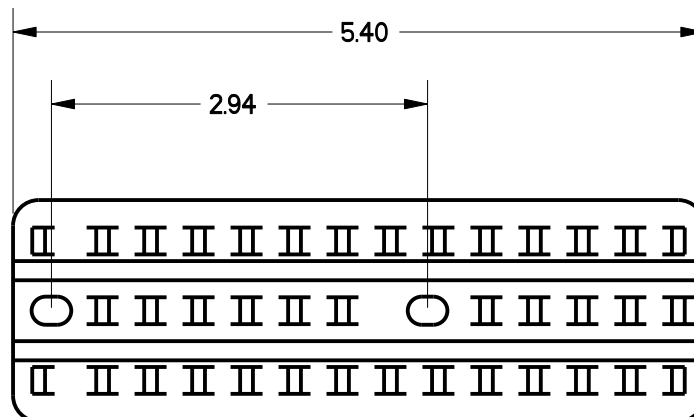
CABLE SUPPORTS

HAT SUPPORTS FOR CABLE ASSEMBLIES

Temperature range: -65° F +185° F



ALBCBS-312-59-03



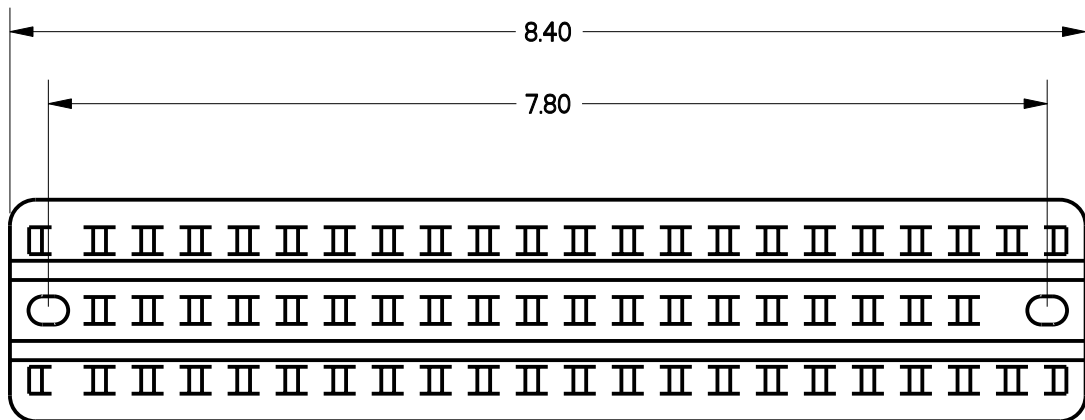
ALBCBS-312-59-04

For all product information, consult Amphenol Air LB North America Inc.

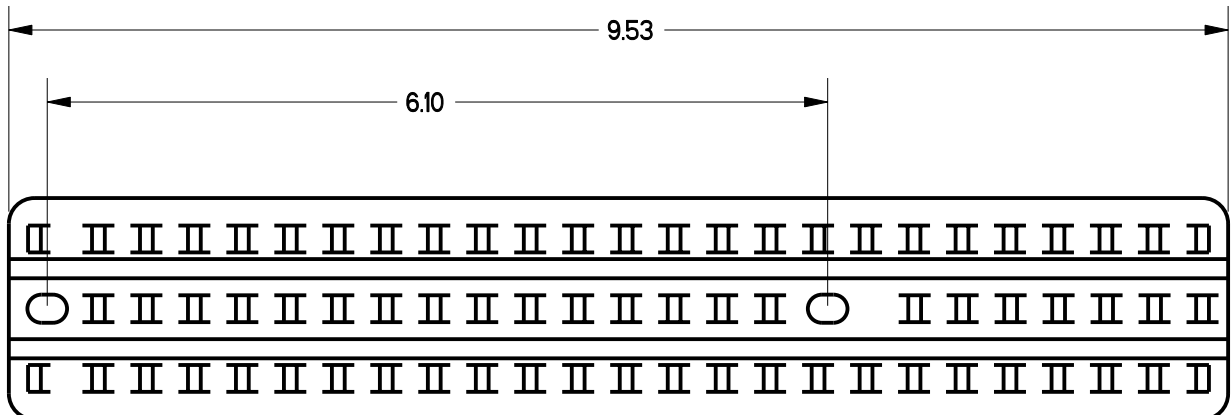
CABLE SUPPORTS

HAT SUPPORTS FOR CABLE ASSEMBLIES

Temperature range: -65° F +185° F



ALBCBS-312-59-05



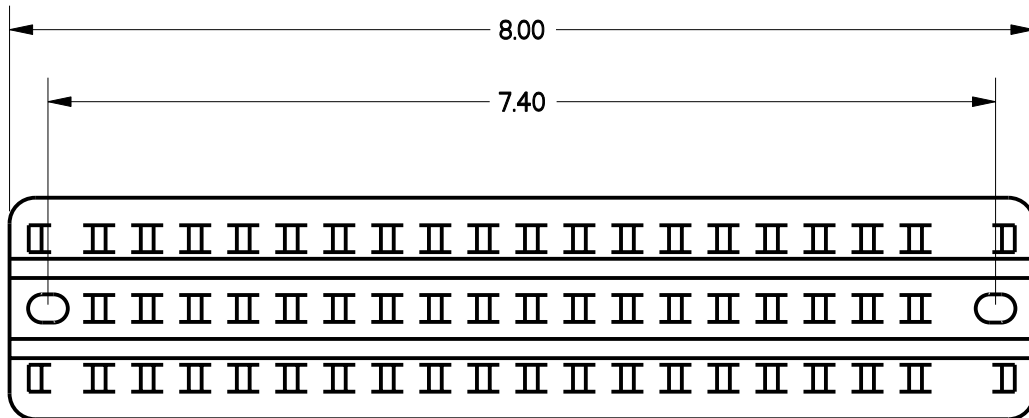
ALBCBS-312-59-06

For all product information, consult Amphenol Air LB North America Inc.

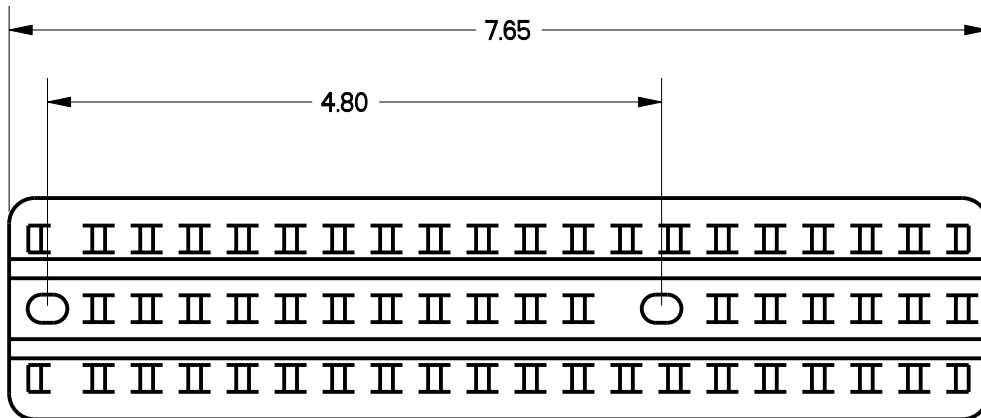
CABLE SUPPORTS

HAT SUPPORTS FOR CABLE ASSEMBLIES

Temperature range: -65° F +185° F



ALBCBS-312-59-07



ALBCBS-312-59-08

For all product information, consult Amphenol Air LB North America Inc.

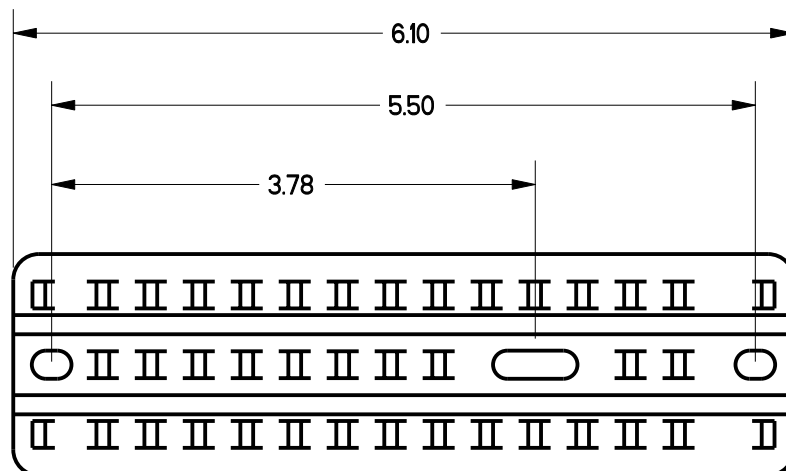
CABLE SUPPORTS

HAT SUPPORTS FOR CABLE ASSEMBLIES

Temperature range: -65° F +185° F



ALBCBS-312-59-09



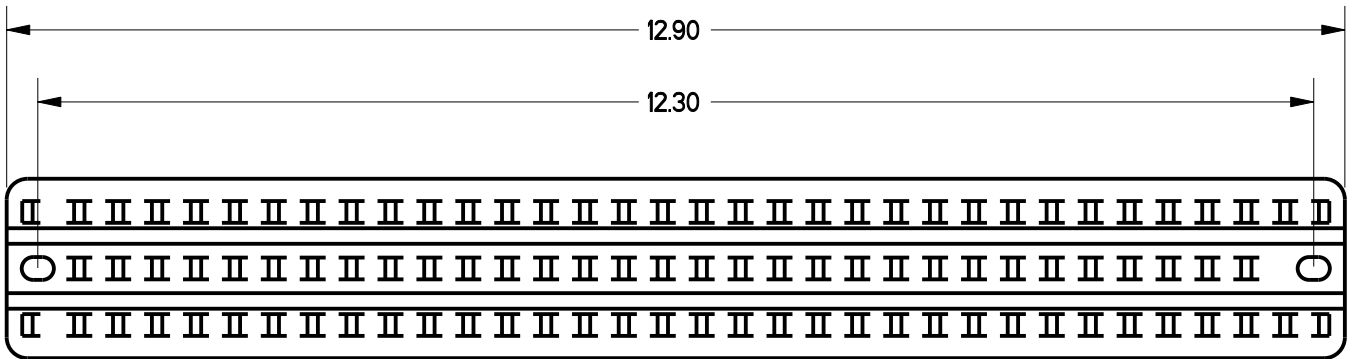
ALBCBS-312-59-10

For all product information, consult Amphenol Air LB North America Inc.

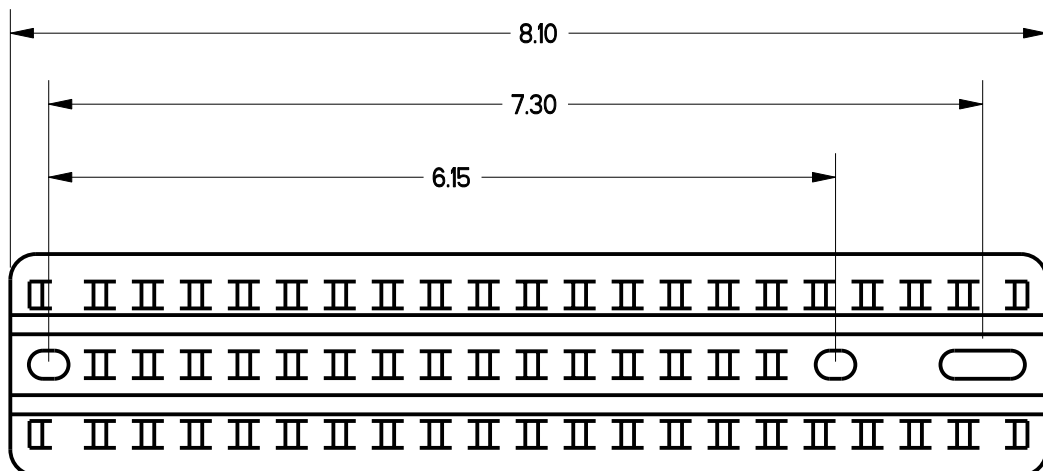
CABLE SUPPORTS

HAT SUPPORTS FOR CABLE ASSEMBLIES

Temperature range: -65°F +185°F



ALBCBS-312-59-11



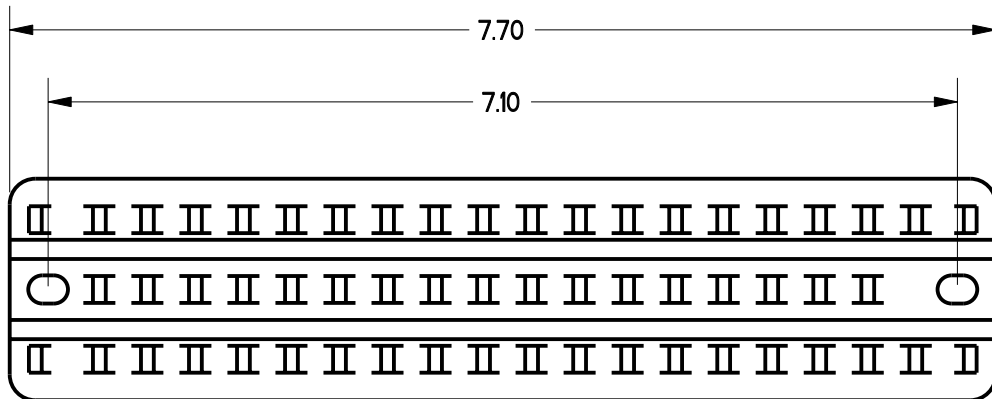
ALBCBS-312-59-12

For all product information, consult Amphenol Air LB North America Inc.

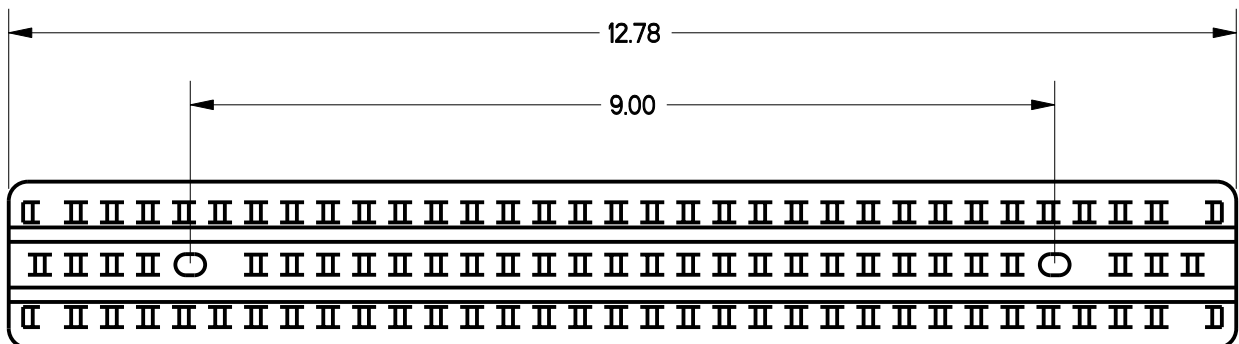
CABLE SUPPORTS

HAT SUPPORTS FOR CABLE ASSEMBLIES

Temperature range: -65° F +185° F



ALBCBS-312-59-13



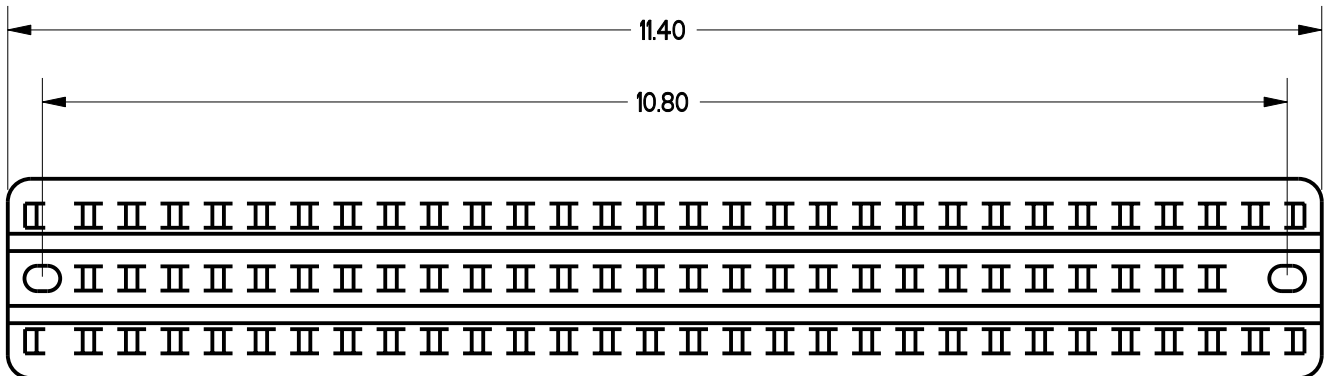
ALBCBS-312-59-14

For all product information, consult Amphenol Air LB North America Inc.

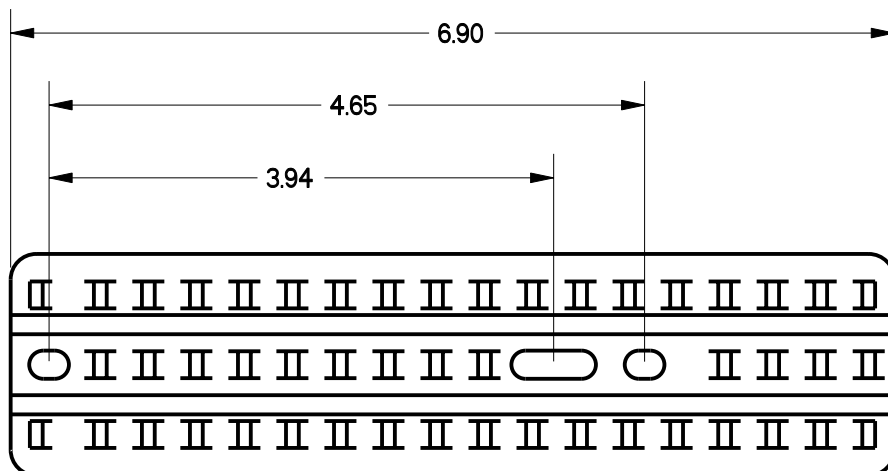
CABLE SUPPORTS

HAT SUPPORTS FOR CABLE ASSEMBLIES

Temperature range: -65° F +185° F



ALBCBS-312-59-15



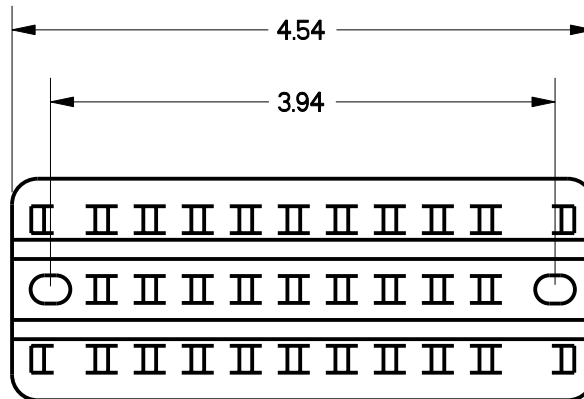
ALBCBS-312-59-16

For all product information, consult Amphenol Air LB North America Inc.

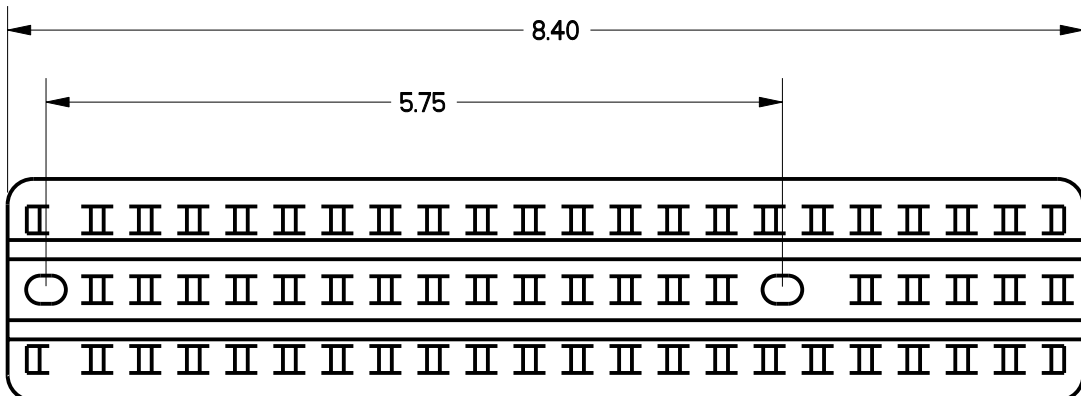
CABLE SUPPORTS

HAT SUPPORTS FOR CABLE ASSEMBLIES

Temperature range: -65° F +185° F



ALBCBS-312-59-17



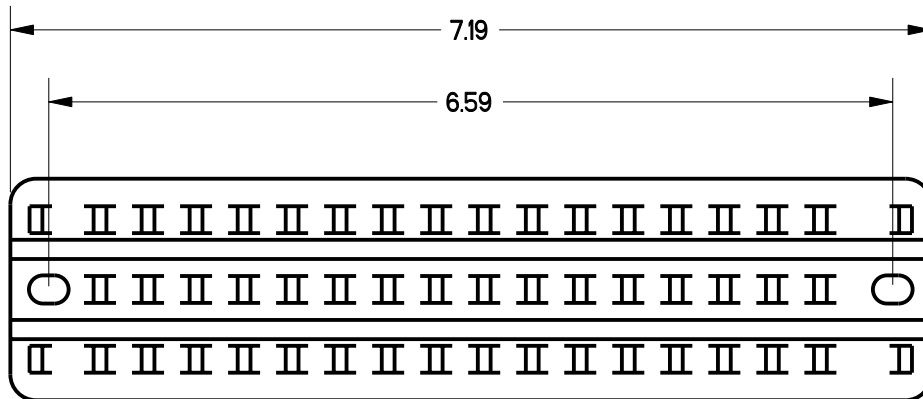
ALBCBS-312-59-18

For all product information, consult Amphenol Air LB North America Inc.

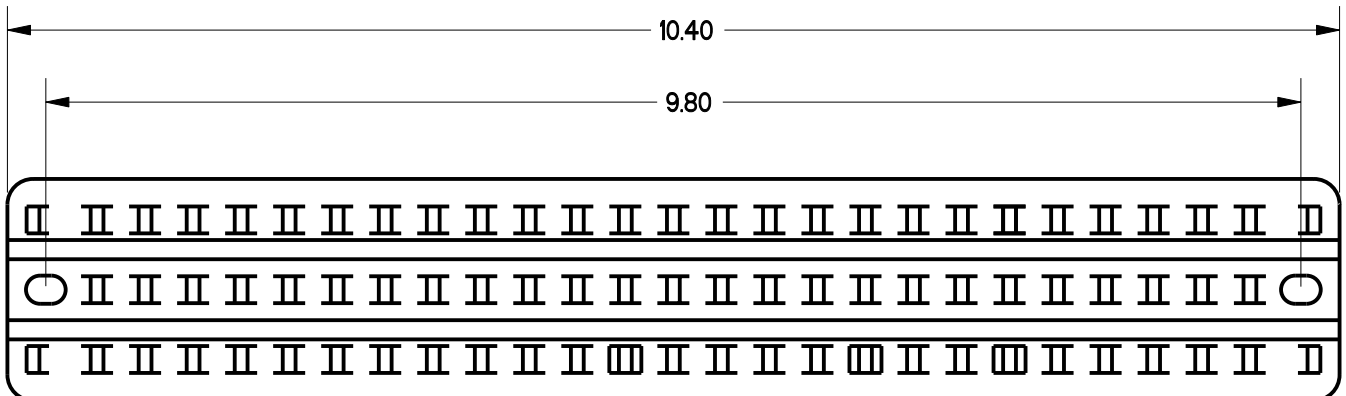
CABLE SUPPORTS

HAT SUPPORTS FOR CABLE ASSEMBLIES

Temperature range: -65° F +185° F



ALBCBS-312-59-19



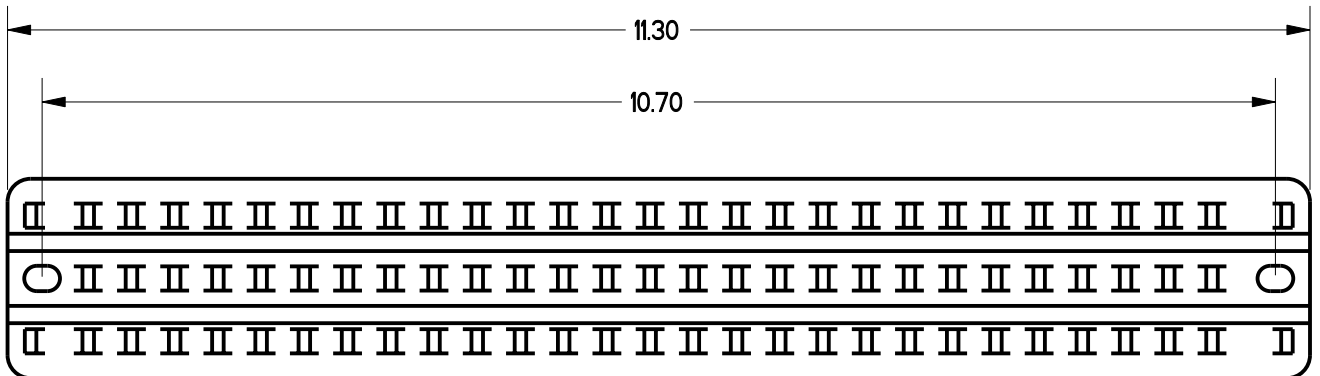
ALBCBS-312-59-21

For all product information, consult Amphenol Air LB North America Inc.

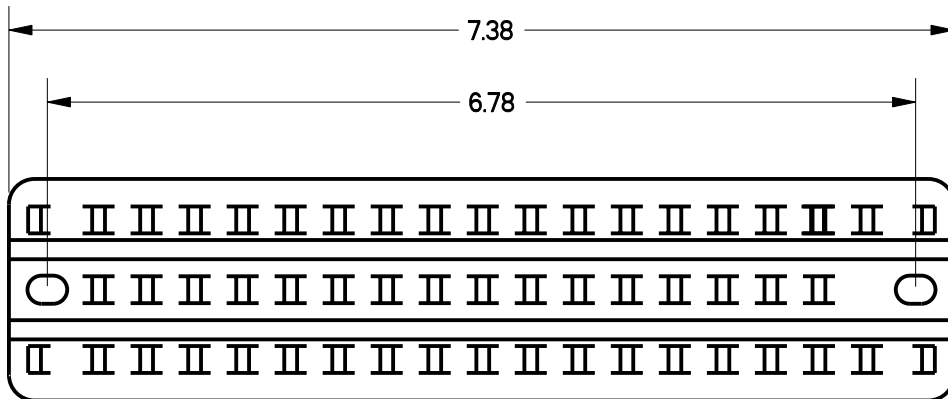
CABLE SUPPORTS

HAT SUPPORTS FOR CABLE ASSEMBLIES

Temperature range: -65° F +185° F



ALBCBS-312-59-23



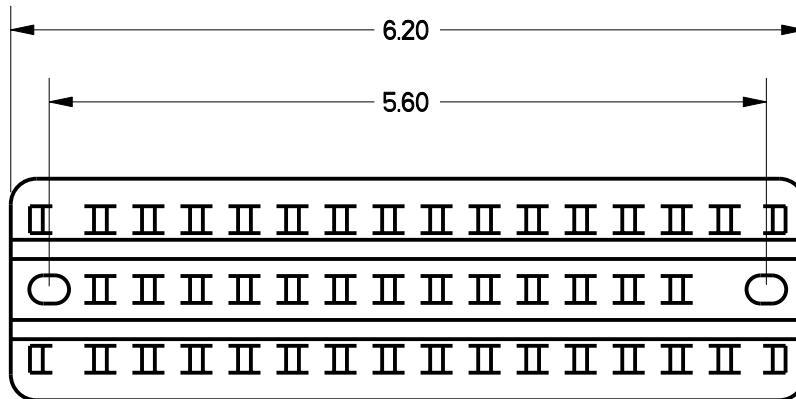
ALBCBS-312-59-25

For all product information, consult Amphenol Air LB North America Inc.

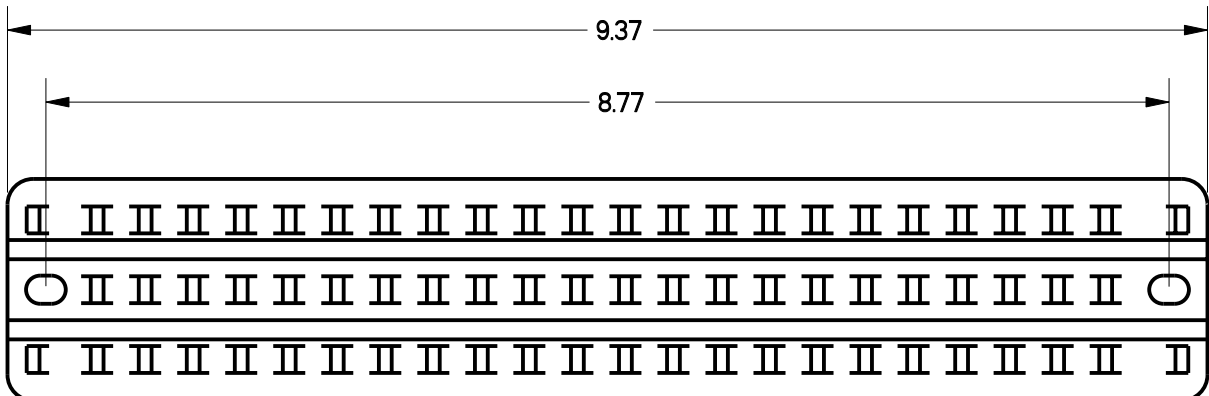
CABLE SUPPORTS

HAT SUPPORTS FOR CABLE ASSEMBLIES

Temperature range: -65° F +185° F



ALBCBS-312-59-27



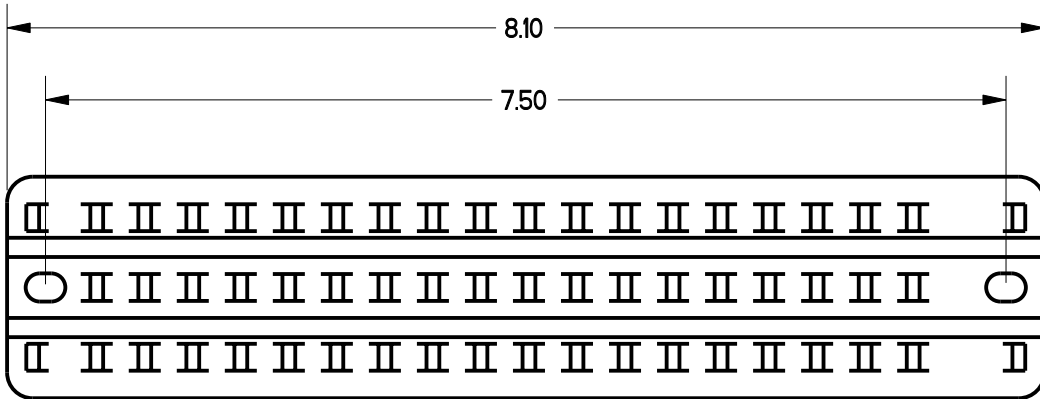
ALBCBS-312-59-29

For all product information, consult Amphenol Air LB North America Inc.

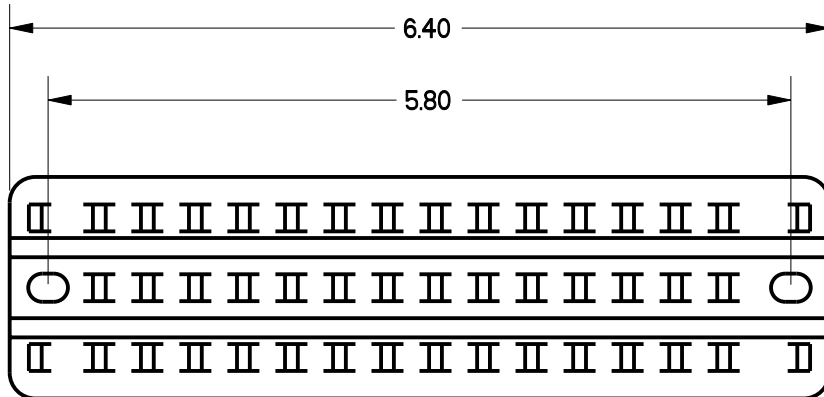
CABLE SUPPORTS

HAT SUPPORTS FOR CABLE ASSEMBLIES

Temperature range: -65° F +185° F



ALBCBS-312-59-31



ALBCBS-312-59-35

For all product information, consult Amphenol Air LB North America Inc.

CABLE SUPPORTS

HAT SUPPORTS FOR CABLE ASSEMBLIES

Temperature range: -65° F +185° F

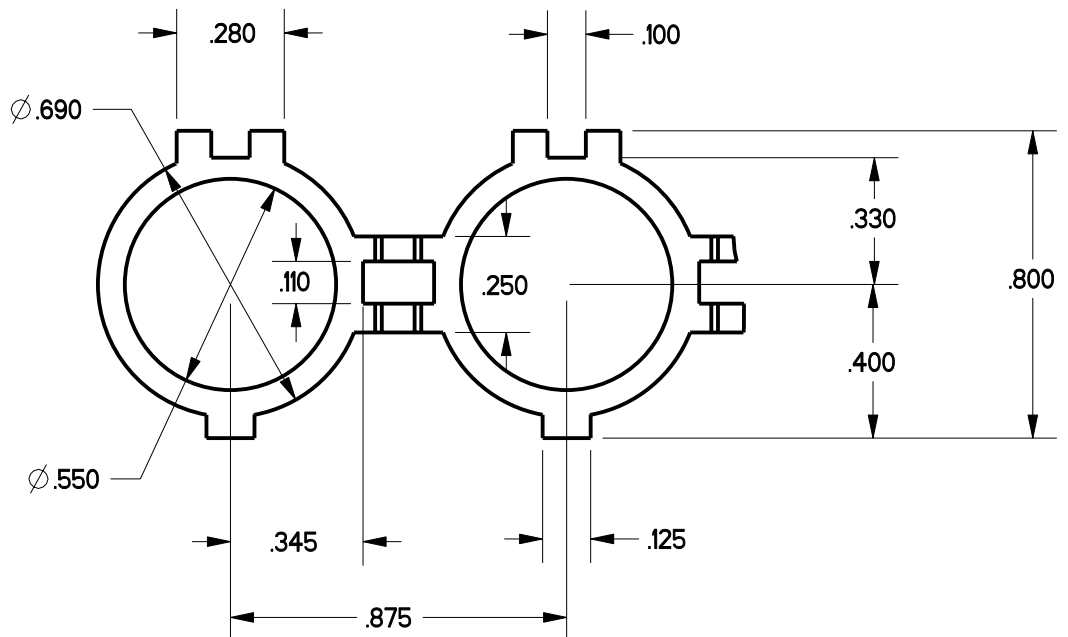
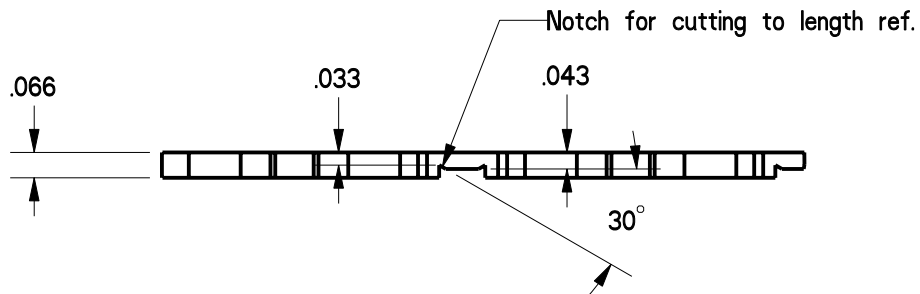
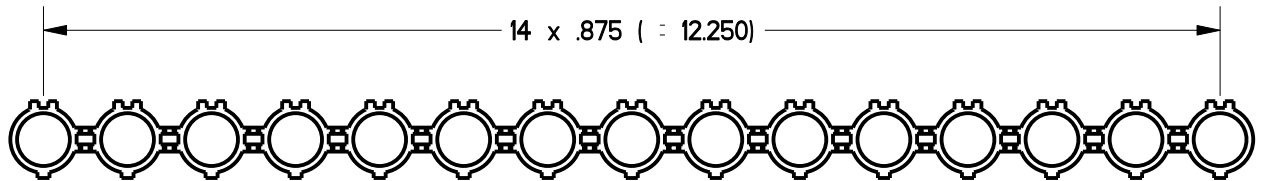
ALBCBS-312-59 Dash Number	Length	Weight (lbs)
-01	8.90	.101
-02	9.15	.104
-03	9.9	.112
-04	5.40	.061
-05	8.40	.095
-06	9.53	.108
-07	8.00	.091
-08	7.65	.087
-09	6.90	.078
-10	6.10	.069
-11	12.90	.146
-12	8.10	.092
-13	7.70	.087
-14	12.78	.145
-15	11.40	.129
-16	6.90	.078
-17	4.54	.051
-18	8.40	.095
-19	7.19	.081
-21	10.40	.118
-23	11.30	.128
-25	7.38	.084
-27	6.20	.070
-29	9.37	.106
-31	8.10	.092
-35	6.40	.072

For all product information, consult Amphenol Air LB North America Inc.

CUSTOMIZED PRODUCTS

SPACER STRIP, CIRCUIT BREAKER PANEL

ALBCBK 001 98



MATERIAL: Nylon 6/6. Color Natural.

WEIGHT: 0.0067lbs.

NOTE:

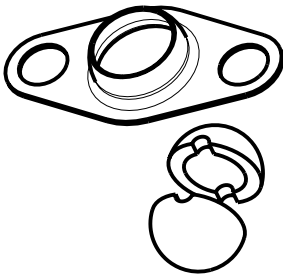
Sold full length. Cut to length as required.

SCALE 2.0/1

For all product information, consult Amphenol Air LB North America Inc.

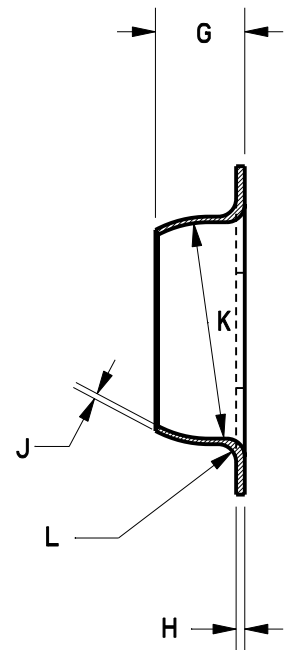
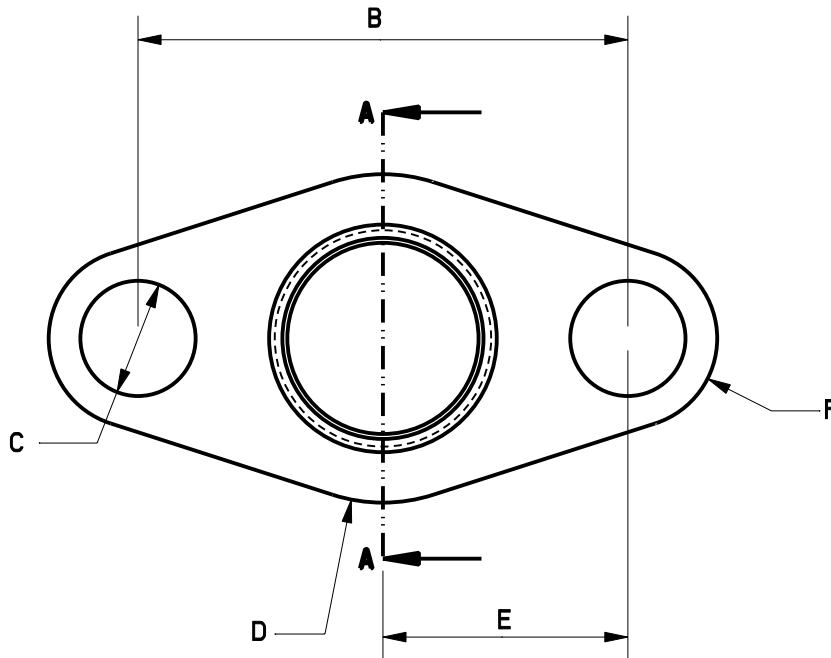
CUSTOMIZED PRODUCTS

PRESSURE SEAL FOR CONTROL CABLE



Note: Used to seal control cable installations at pressure bulkhead.

Material: Aluminium alloy, 6061-T62, 0.040" thick.
Finish: MIL-C-5541B, Class 1A.



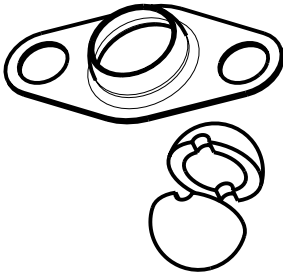
SECTION A-A

PART No.	B DIM	C DIA	D RAD	E DIM	F RAD	G DIM	H DIM MIN	J DIM MIN	K SPH DIA	L RAD	CONTROL CABLE DIA
ALBPRS 433 98	150	.40	.43	.75	.31	.20	.030	.020	.540 .530	.06	3/32
ALBPRS 434 98	170	.40	.57	.85	.31	.31	.030	.020	.760 .750	.06	1/8

For all product information, consult Amphenol Air LB North America Inc.

CUSTOMIZED PRODUCTS

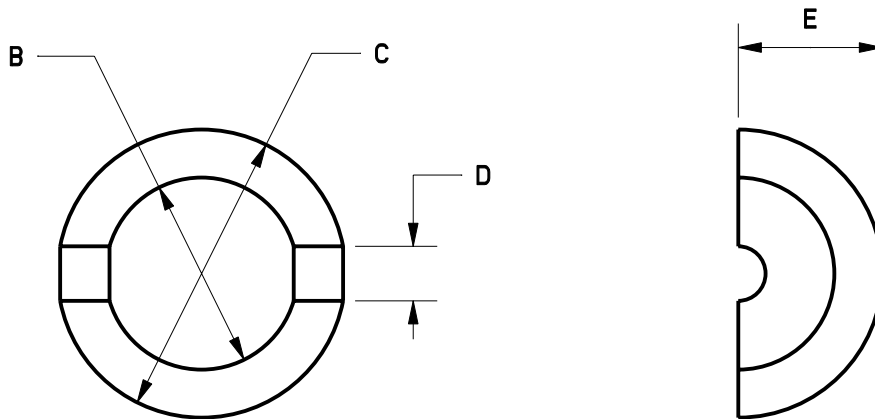
PRESSURE SEAL FOR CONTROL CABLE



Note: Used to seal control cable installations at pressure bulkhead.

Material: Acetal per ASTM D4181.

Finish: None.



PART No.	B SPH DIA	C SPH DIA	D DIM	E DIM	CONTROL CABLE DIA
ALBPRS 423 97	.340 .330	.530 .520	.110 .105	.265 .260	3/32
ALBPRS 424 97	.500 .490	.750 .740	.142 .137	.375 .370	1/8

For all product information, consult Amphenol Air LB North America Inc.

X-ON Electronics

Largest Supplier of Electrical and Electronic Components

Click to view similar products for [Cable Mounting & Accessories](#) category:

Click to view products by [Amphenol](#) manufacturer:

Other Similar products are found below :

[582603-1](#) [009333-000](#) [727844N003](#) [747](#) [809090N001](#) [843188-000](#) [8666](#) [967279N002](#) [DB-11](#) [1300840039](#) [1300900096](#) [1301800416](#)
[1302264450](#) [1300830184](#) [1300830729](#) [1300900039](#) [1301580036](#) [1301850553](#) [1301860939](#) [1302000074](#) [1302261315](#) [1302264431](#)
[1337706-2](#) [APA18-AK](#) [1724](#) [1-787307-1](#) [185491N001](#) [1868](#) [HP-6N](#) [C-202-C](#) [202C221-13-0](#) [CA7308-000](#) [8S23-75FR-CS8184](#) [2684](#) [9648](#)
[3089](#) [988382-000](#) [A72821-000](#) [AA401](#) [173506-000](#) [202C292-13-0](#) [202C302-13-0](#) [2109](#) [300625](#) [3330](#) [3412](#) [M9142](#) [M9143](#) [529732-000](#)
[561-50D1187](#)