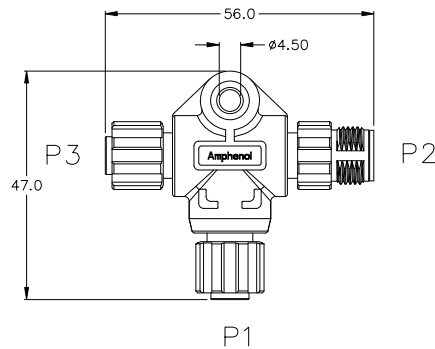
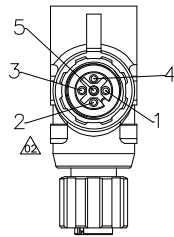
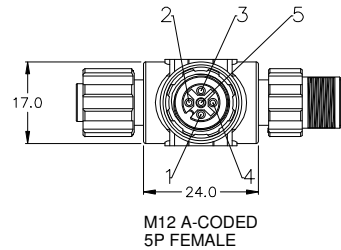
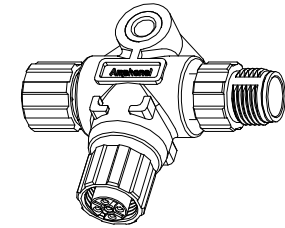
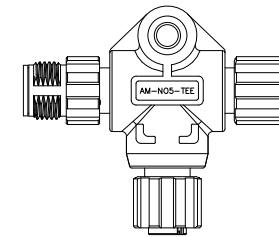
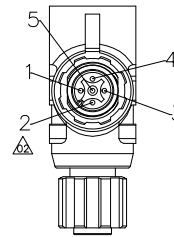


REVISIONS					
REV	ECO	DESCRIPTION	DATE	BY	APPR
A1	-	RELEASE	28MAR16	JAH	KING

M12 A-CODED  
5P FEMALE

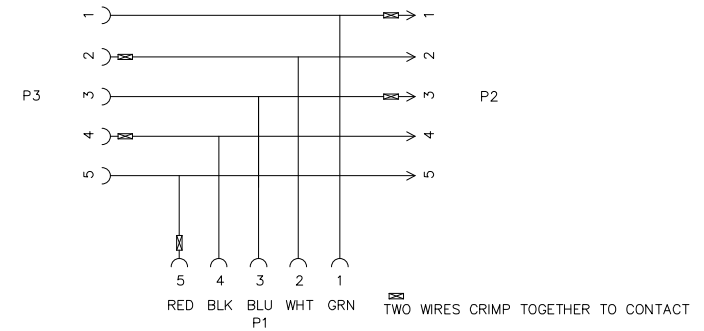


M12 A-CODED  
5P MALE



M12 A-CODED  
5P FEMALE

WIRING DIAGRAM



TECHNICAL DATA:

1) CONNECTOR MATERIALS

COUPLING NUT: THERMOPLASTIC, NYLON, UL94 V-0  
 INSULATION INSERT: THERMOPLASTIC, NYLON, UL 94V-0  
 MACHINED CONTACT: GOLD FLASH PLATING OVER COPPER ALLOY  
 PREMOLD MATERIAL: HOTMELT;  
 OVERMOLD MATERIAL: THERMOPLASTIC, TPU COLOR: BLACK  
 WIRE:UL1007 22AWG 105C° 300V, PVC  
 ALUMINUM TUBE:ALUMINIUM ALLOY  
 SEAL:EPDM,RED

2) RoHS COMPLIANT

3) CONNECTOR SPECIFICATION

VOLTAGE RATING: 60V  
 AMPERAGE RATING: 4 AMPS  
 CONTACT RESISTANCE: ≤ 5 mΩ  
 INSULATION RESISTANCE: ≥ 100 MΩ  
 PROTECTION CLASS: IP67  
 OPERATING TEMPERATURE: -25°C-90°C

CUSTOMER DRAWING

QUANTITY	PART NUMBER	DESCRIPTION	ITEM
<b>MATERIALS LIST</b>			
UNLESS OTHERWISE SPECIFIED: 1) All dimensions are in metric (mm). 2) Tolerances are as follows: 1 PL DEC ±1.27 Fractions ±0.40 2 PL DEC ±0.25 Angles ±1° 3 PL DEC ±0.127 4) Note reference =  L		SIGNATURES	DATE
DRAWN: FLAN		2015-8-13	
CHECKED: CHELSEA		2015-8-13	
ENGINEER:			
APPROVAL: KING		2015-8-13	
MATERIAL SPECIFICATIONS: SS-20020		CUSTOMER:	
NOTED		THIS DRAWING IS SUPPLIED FOR INFORMATION ONLY. DESIGN FEATURES, SPECIFICATIONS AND PERFORMANCE DATA SHOWN HEREON ARE THE PROPERTY OF THE AMPHENOL CORPORATION. NO RIGHTS OF REPRODUCTION ARE IMPLIED. ALL DIMENSIONS ARE SUBJECT TO NORMAL MANUFACTURING VARIATIONS.	
PROCESS SPECIFICATIONS: IPC/WHMA-A-620		SIZE: <b>A4 C</b>	DWG NO: <b>AM-N05-TEE</b>
NEXT ASSY:		SCALE: NONE	<b>AM-N05-TEE</b> SHEET 1 OF 1

TITLE: MULTI-HUB TEE, NMEA 2000  
 DWG NO: AM-N05-TEE  
 REV: A1  
 SH: 1  
 OF: 1

## X-ON Electronics

Largest Supplier of Electrical and Electronic Components

*Click to view similar products for [Heavy Duty Power Connectors](#) category:*

*Click to view products by [Amphenol](#) manufacturer:*

Other Similar products are found below :

[647757-1](#) [6643411-1](#) [6646058-2](#) [6646137-1](#) [6646138-1](#) [6646479-1](#) [6646608-1](#) [6646786-1](#) [6646940-1](#) [6651091-1](#) [6651525-1](#) [6651529-1](#)  
[6651788-1](#) [696475-1](#) [73000005059](#) [73000005642](#) [765-15-0080A](#) [765-16-0080B](#) [829992-1](#) [902-77-02113](#) [129-1J](#) [AN0024023](#) [E6374G1](#)  
[e6389g2](#) [157-43GW8](#) [MS3117-14AC](#) [1643543-1](#) [1650540-1](#) [1651811-2](#) [1766260-1](#) [1766282-1](#) [1766966-1](#) [1791340000](#) [NLDFT-3-BL-L-](#)  
[S120-M40A](#) [NLDFT-N-W-L-C240-M40B](#) [NLS-2-R-C240-M40B](#) [NLS-N-W-C240-M40B](#) [NPS-3-BL-T6](#) [1986615-1](#) [2-1589900-8](#) [2199314-1](#)  
[KA8102](#) [9300480317](#) [SBS50BRN#6](#) [29131](#) [29652](#) [1646905-1](#) [1648320-1](#) [1648582-1](#) [1650195-2](#)