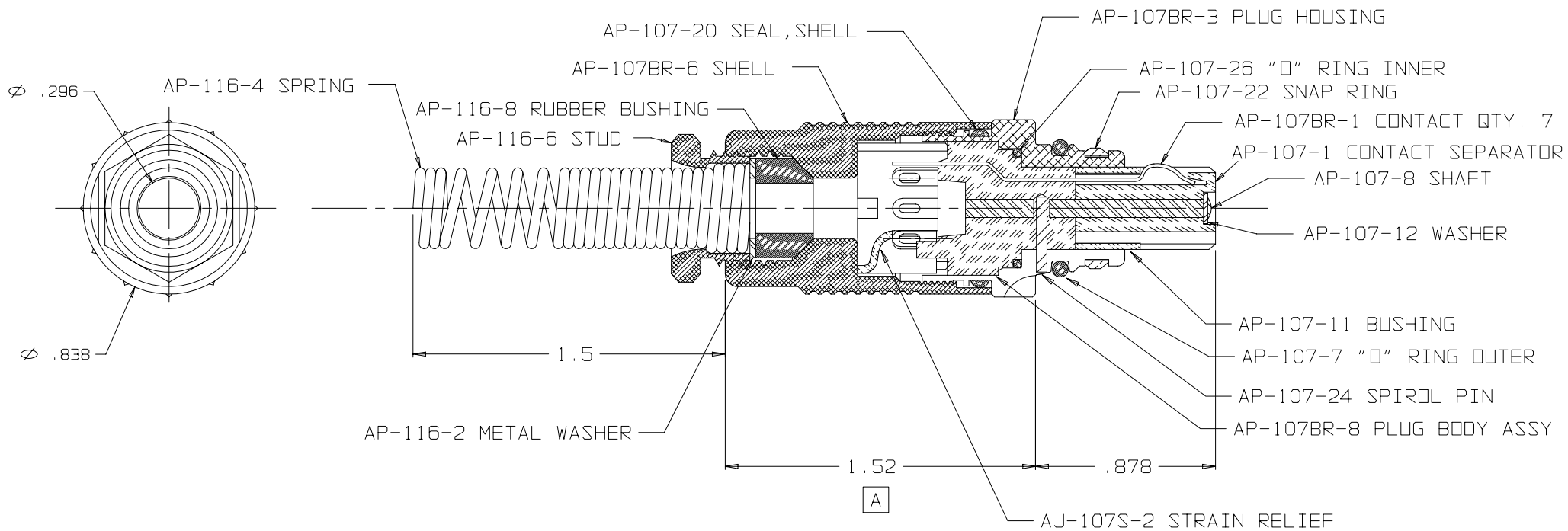


**B** AP-107BR

# PROPRIETARY-NEXUS



THIS DOCUMENT CONTAINS PROPRIETARY INFORMATION OF NEXUS, INCORPORATED AND SUCH INFORMATION MAY NOT BE DISCLOSED TO OTHERS FOR ANY PURPOSE OR USED FOR ANY PURPOSE WITHOUT THE WRITTEN CONSENT OF NEXUS.

DWN. BY M.N.F.	DATE 9/11/96	MATERIAL _____														
CHECKED BY L. SMITH	DATE 9/12/96	FINISH _____														
APPR. BY L. SMITH	DATE 9/12/96	WEIGHT _____	SCALE 2:1													
UNLESS OTHERWISE SPECIFIED DIMENSIONS ARE IN INCHES TOLERANCES ON FRACTIONS DECIMALS ANGLES — — —		TITLE <b>SEVEN CONDUCTOR AUDIO PLUG WITH SPRING BEND RELIEF</b>														
		DO NOT SCALE DWG. SHEET 1 OF 1														
<table border="1"> <tr> <td>A</td> <td>WAS 1.40</td> <td>0242</td> <td>9/23/96</td> <td>L.S.</td> </tr> <tr> <td>LET.</td> <td>REVISION</td> <td>CN #</td> <td>DATE</td> <td>CHK.</td> </tr> </table>		A	WAS 1.40	0242	9/23/96	L.S.	LET.	REVISION	CN #	DATE	CHK.	<table border="1"> <tr> <td rowspan="2">SIZE <b>B</b></td> <td>DWG. NO.</td> </tr> <tr> <td><b>AP-107BR</b> ASSEMBLY, B.O.M.</td> </tr> </table>		SIZE <b>B</b>	DWG. NO.	<b>AP-107BR</b> ASSEMBLY, B.O.M.
A	WAS 1.40	0242	9/23/96	L.S.												
LET.	REVISION	CN #	DATE	CHK.												
SIZE <b>B</b>	DWG. NO.															
	<b>AP-107BR</b> ASSEMBLY, B.O.M.															

## X-ON Electronics

Largest Supplier of Electrical and Electronic Components

*Click to view similar products for [Phone Connectors](#) category:*

*Click to view products by [Amphenol](#) manufacturer:*

Other Similar products are found below :

[M444B](#) [6J1041A](#) [R4F](#) [E12BPKG](#) [ECP4PKG](#) [161-3502L-E](#) [MT333X](#) [171-0350-EX](#) [171-101A-EX](#) [171-3325-EX](#) [176S](#) [NC3MG-V](#)  
[NYS228G](#) [P10834](#) [P2380](#) [P2381X](#) [P2411X](#) [P2412](#) [P2724](#) [JM2PB-AU BULK](#) [9144](#) [S2674](#) [280L](#) [163-156N-2-E](#) [163-158N-2-E](#) [171-3308-](#)  
[EX](#) [171-3500-E](#) [2501FT](#) [CMT335](#) [M10662](#) [330Q](#) [RJ5VI-S](#) [40116](#) [TM1R-AU](#) [TM2PBMJ-AU](#) [TM2PJ-AU](#) [TM2PJ-AU BULK](#) [4803.1351](#)  
[49201](#) [49205](#) [TS3PBJ-AU](#) [TS3PBMJ-AU](#) [TT32BX](#) [54B](#) [40112](#) [40205](#) [XMT332B](#) [52170017-331](#) [570](#) [NM3](#)