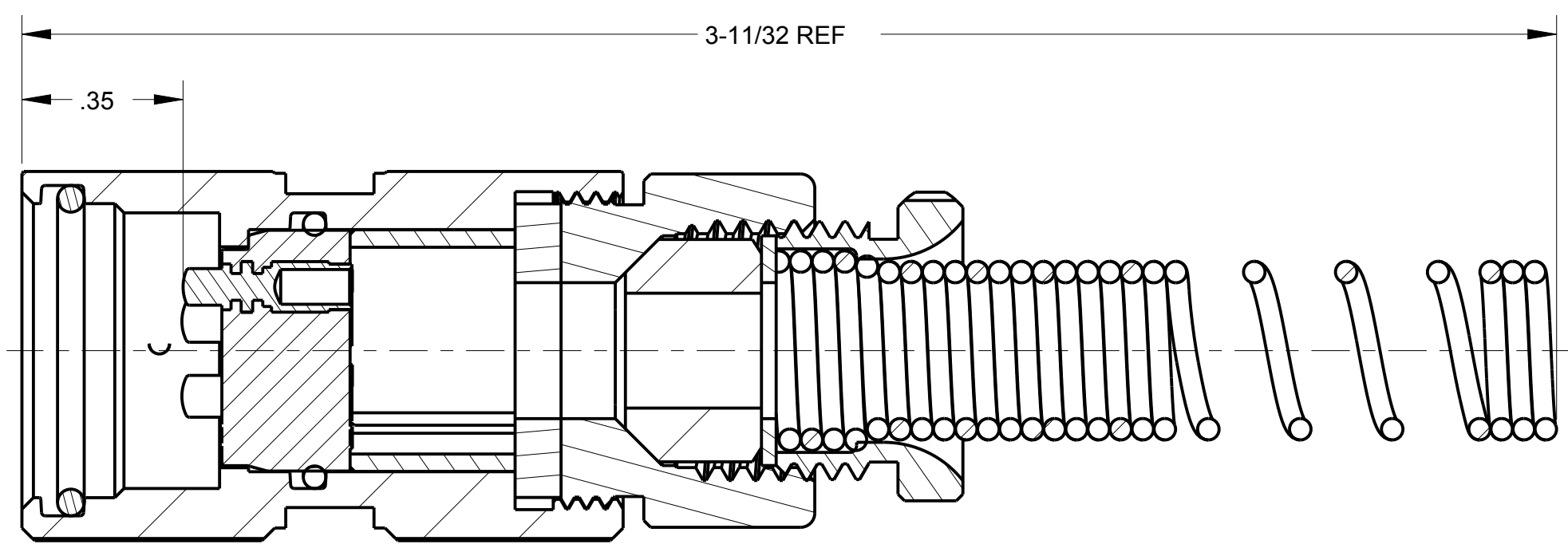
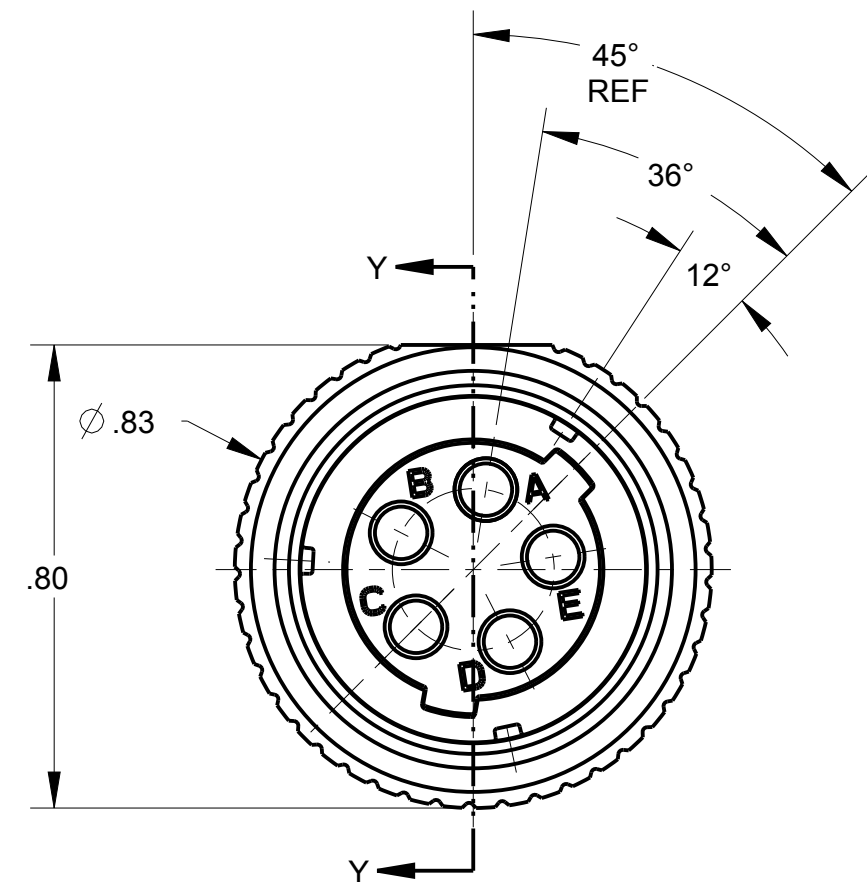
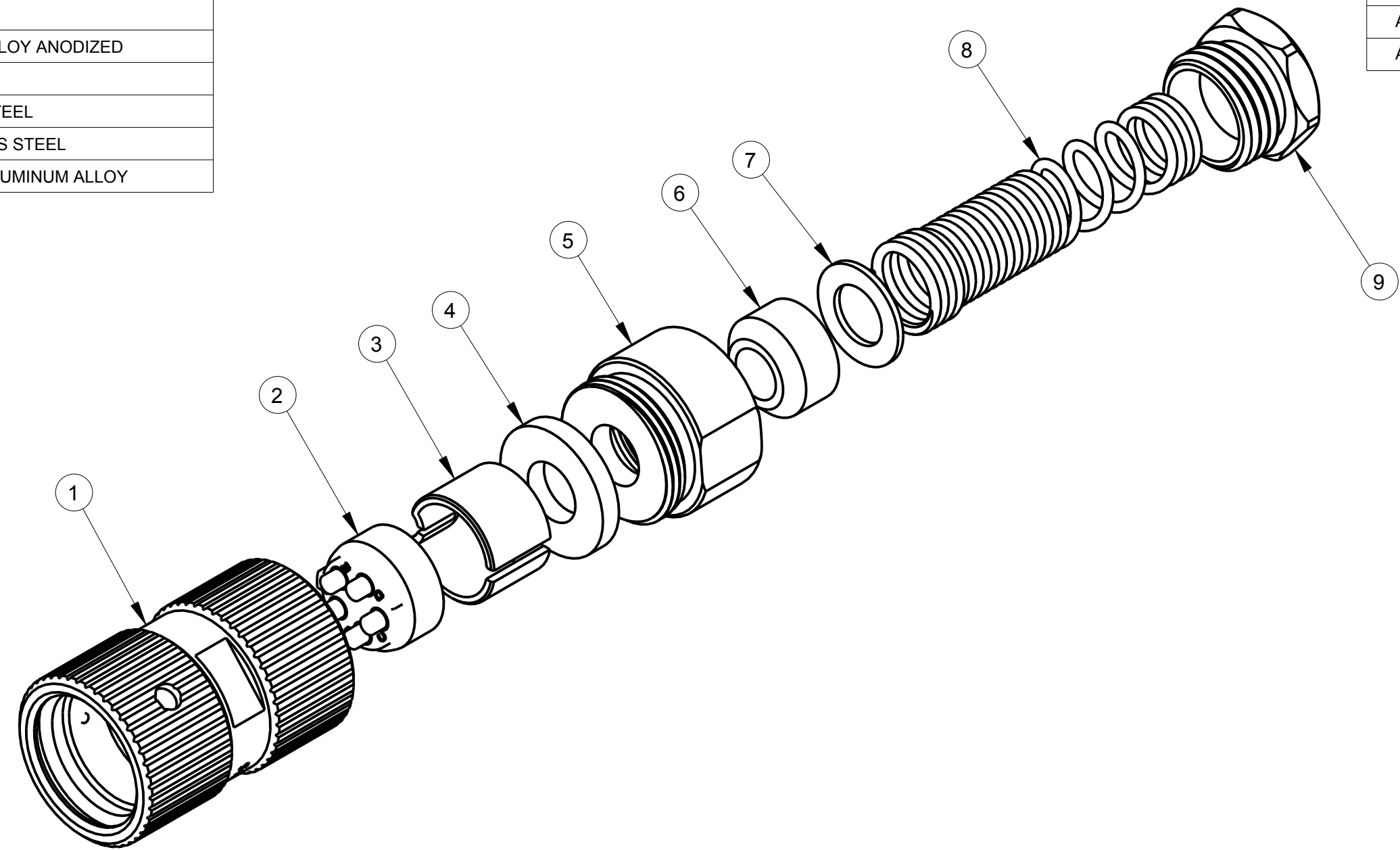


ITEM #	PART #	QTY	DESCRIPTION	MATERIAL
1	AP-145-1M	1	SHELL ASS'Y	303 SS & NEOPRENE
2	AP-125-6	1	INSERT ASS'Y	DIALLYPHTHALATE, TYPE SDGF & GOLD PLATED BRASS
3	AP-105-5	1	STRAIN RELIEF	NYLON
4	AP-116-3	1	WASHER	RUBBER
5	AP-116-7	1	NUT ADAPTER	ALUMINUM ALLOY ANODIZED
6	SEE TABLE #1	1	BUSHING	RUBBER
7	SEE TABLE #1	1	WASHER	STAINLESS STEEL
8	SEE TABLE #1	1	SPRING	302 STAINLESS STEEL
9	AP-116-6	1	STUD	ANODIZED, ALUMINUM ALLOY

C AP-125M-CP

TABLE #1				
PART #	CABLE SIZE	BUSHING	WASHER	SPRING
AP-125M-1	∅ .165 ± .010	AP-116-17	AP-116-2	AP-116-4
AP-125M-2	∅ .228 ± .010	AP-116-18	AP-116-2	AP-116-4
AP-125M-3	∅ .250 ± .010	AP-116-8	AP-116-2	AP-116-4
AP-125M-4	∅ .290 ± .010	AP-116-19	AP-116-2	AP-116-4
AP-125M-5	∅ .320 ± .010	AP-116-20	AP-116-22	AP-116-21

NOTES:
 1) UNLESS OTHERWISE SPECIFIED, THIS CONNECTOR MEETS ALL GENERAL REQUIREMENTS & SPECIFICATIONS OF MIL-C-55116
 2) MATES WITH U-183/U PANEL MOUNT CONNECTOR & U-228/U INLINE CONNECTOR



SECTION Y-Y
SCALE 3.000

THIS DOCUMENT CONTAINS PROPRIETARY INFORMATION OF NEXUS, INCORPORATED AND SUCH INFORMATION MAY NOT BE DISCLOSED TO OTHERS FOR ANY PURPOSE OR USED FOR ANY PURPOSE WITHOUT THE WRITTEN CONSENT OF NEXUS.

DWN.BY: GPH		DATE: 5/14/10	MATERIAL	
CHECKED BY: GPH		DATE: 5/14/10	FINISH	
APPR.BY: GPH		DATE: 5/14/10	WEIGHT	SCALE = 1.00 :1
UNLESS OTHERWISE SPECIFIED DIMENSIONS ARE IN INCHES & OR (mm)			TITLE	
TOLERANCES:			AUDIO PLUG	
DECIMAL:			NEXUS STAMFORD, CONN	
FRACTION: ±XXX ±XXX			SIZE DWG. NO.	
ANGLES: ±X° ±X°			C AP-125M-CP	
DO NOT SCALE DWG.		SHEET 1 OF 1		

LET	REVISION	CN #	DATE	CHK
B	DEL: 36°, ADD: 48° REF: 36°	226	8/24 2015	HR
A	NEW RELEASE		5/14 2010	GH

X-ON Electronics

Largest Supplier of Electrical and Electronic Components

Click to view similar products for [Phone Connectors](#) category:

Click to view products by [Amphenol](#) manufacturer:

Other Similar products are found below :

[M444B](#) [6J1041A](#) [R4F](#) [E12BPKG](#) [ECP4PKG](#) [161-3502L-E](#) [MT333X](#) [171-0350-EX](#) [171-101A-EX](#) [171-3325-EX](#) [176S](#) [NC3MG-V](#)
[NYS228G](#) [P10834](#) [P2380](#) [P2381X](#) [P2411X](#) [P2412](#) [P2724](#) [JM2PB-AU BULK](#) [9144](#) [S2674](#) [280L](#) [163-156N-2-E](#) [163-158N-2-E](#) [171-3308-](#)
[EX](#) [171-3500-E](#) [2501FT](#) [CMT335](#) [M10662](#) [330Q](#) [RJ5VI-S](#) [40116](#) [TM1R-AU](#) [TM2PBMJ-AU](#) [TM2PJ-AU](#) [TM2PJ-AU BULK](#) [4803.1351](#)
[49201](#) [49205](#) [TS3PBJ-AU](#) [TS3PBMJ-AU](#) [TT32BX](#) [54B](#) [40112](#) [40205](#) [XMT332B](#) [52170017-331](#) [570](#) [NM3](#)