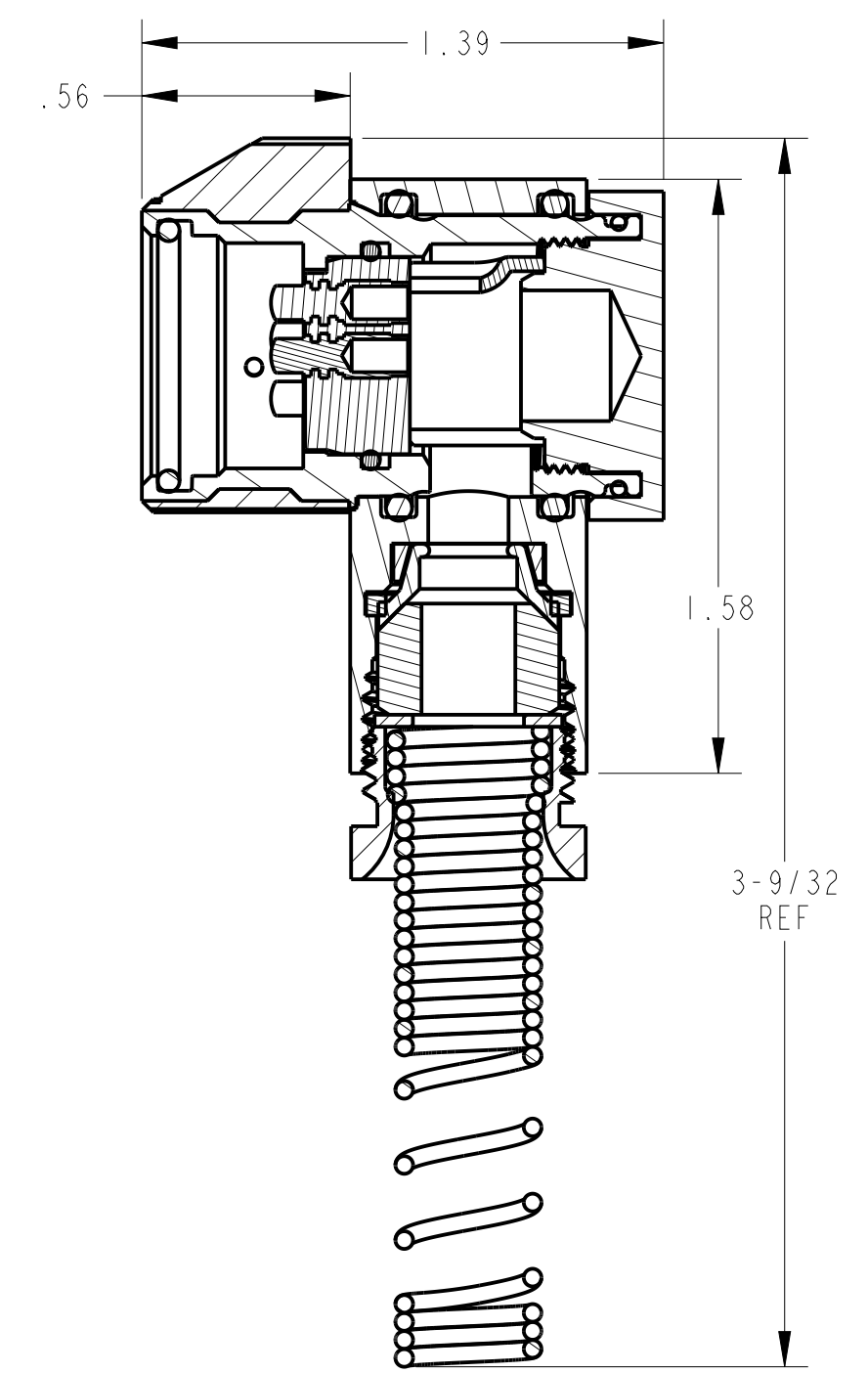
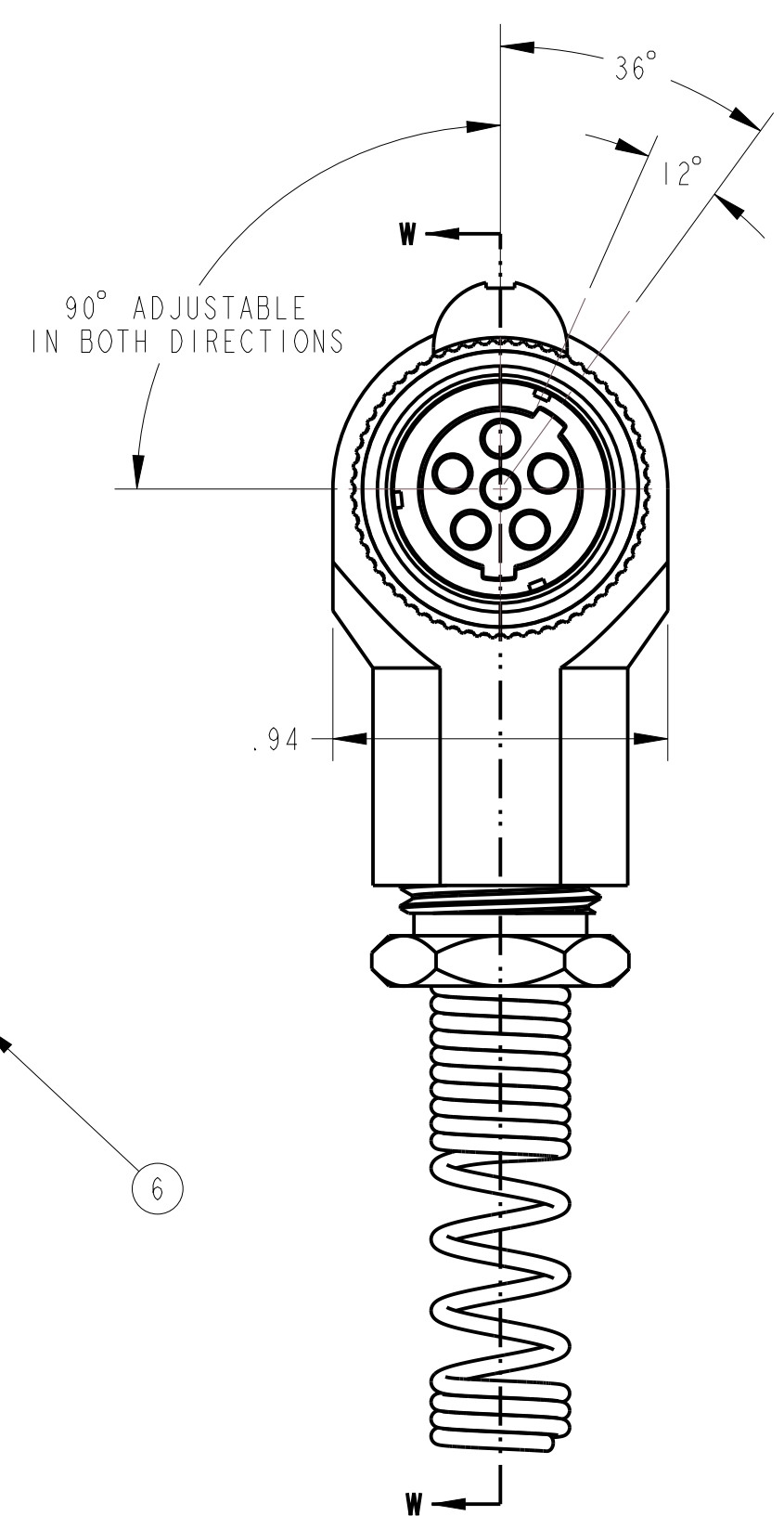
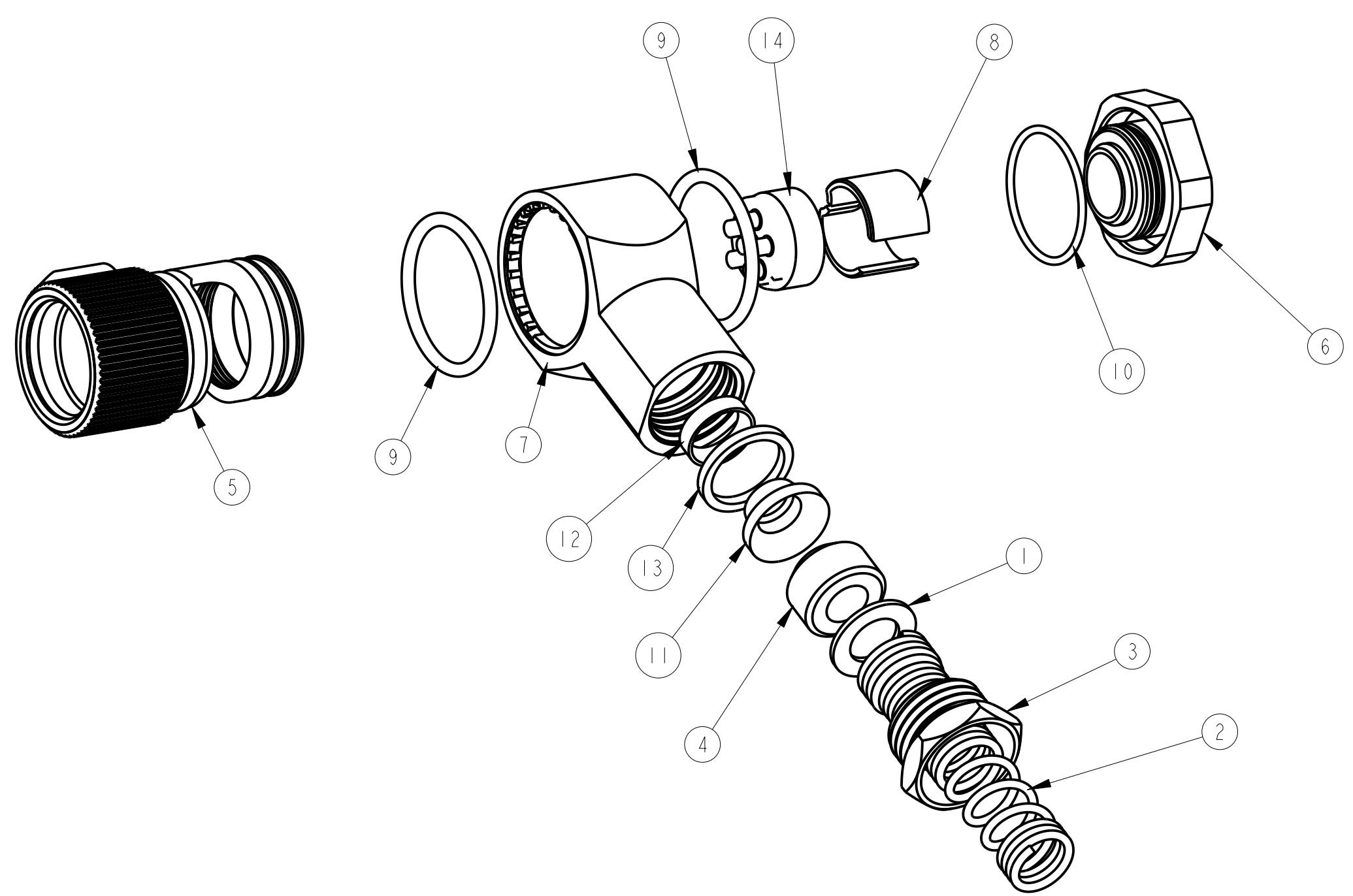


ITEM	PART #	QTY	DESCRIPTION	MATERIAL
1	SEE TABLE #1	1	WASHER	STAINLESS STEEL
2	SEE TABLE #1	1	SPRING	302 STAINLESS STEEL
3	AP-116-6	1	STUD	ANODIZED ALUMINUM ALLOY
4	SEE TABLE #1	1	BUSHING	RUBBER
5	AP-136-35	1	PLUG HSG MOLDING	GLASS FILLED NYLON & 303 SS
6	AP-136-30	1	CAP	ALUMINUM & BLACK CHROME
7	AP-136-31	1	ADAPTER - 90°	BRASS & BLACK CHROME
8	AP-136-33	1	STRAIN RELIEF	NYLON
9	AP-136-36	2	O-RING	ETHYLENE PROPYLENE
10	AP-136-41	1	O-RING	ETHYLENE PROPYLENE
11	AP-136-5	1	CLAMP SHELL (INNER)	BRASS WITH NICKEL PLATING
12	AP-136-6	1	CLAMP INNER (OUTER)	BRASS WITH NICKEL PLATING
13	AP-136-7	1	GASKET	RUBBER
14	AP-126-6	1	INSERT	DIALYLPHTHALATE, TYPE SDGF & GOLD PLATED BRASS

C AP-136RA-CP

TABLE #1				
AUDIO PLUG #	CABLE Ø	BUSHING	WASHER	SPRING
AP-136RA-01	Ø.165±.010	AP-116-17	AP-116-2	AP-116-4
AP-136RA-02	Ø.228±.010	AP-116-18	AP-116-2	AP-116-4
AP-136RA-03	Ø.250±.010	AP-116-8	AP-116-2	AP-116-4
AP-136RA-04	Ø.290±.010	AP-116-19	AP-116-2	AP-116-4
AP-136RA-05	Ø.320±.010	AP-116-20	AP-116-22	AP-116-21

NOTES:  
1) UNLESS OTHERWISE SPECIFIED THIS CONNECTOR MEETS ALL GENERAL REQUIREMENTS & SPECIFICATIONS OF MIL-C-55116



SECTION W-W

THIS DOCUMENT CONTAINS PROPRIETARY INFORMATION OF NEXUS, INCORPORATED AND SUCH INFORMATION MAY NOT BE DISCLOSED TO OTHERS FOR ANY PURPOSE OR USED FOR ANY PURPOSE WITHOUT THE WRITTEN CONSENT OF NEXUS.

F	ADD '-03'	1256	08/19/2019	HR	DWN. BY	LDE	DATE	20-NOV-09	MATERIAL			
E	DEL: .34(C-2)	235	3/20/2017	HR	CHECKED BY		DATE		FINISH			
D	ADD: 12°, 36°	226	8/24/2015	HR	APPR. BY		DATE		WEIGHT			
C	ADD: AP-136RA/4	194	2/3/2014	HR	UNLESS OTHERWISE SPECIFIED DIMENSIONS ARE IN INCHES & OR (mm) TOLERANCES: DECIMAL: ±.XX(X.X) ±.XXX(X.XX) ±.XXXX(X.XXX) ±.010(.31) ±.005(0.13) ±.0005(0.012) FRACTION: ±X/XX ANGLES: ±X° ±.5				SCALE = 1.00 : 1			
B	REVISE BOM	094	1/28/2011	HR					TITLE			
A	RELEASED		11/15/2010	HR					AUDIO PLUG - 90			
LET.	REVISION	CN #	DATE	CHK	DO NOT SCALE DWG.				SHEET 1 OF 1			

**NEXUS**  
STAMFORD, CONN  
SIZE C DWG. NO.  
AP-136RA-CP

## X-ON Electronics

Largest Supplier of Electrical and Electronic Components

*Click to view similar products for [Phone Connectors](#) category:*

*Click to view products by [Amphenol](#) manufacturer:*

Other Similar products are found below :

[M444B](#) [R4F](#) [E12BPKG](#) [ECP4PKG](#) [163-157J-E](#) [MT333X](#) [171-0350-EX](#) [171-3302-EX](#) [176S](#) [NC3MG-V](#) [NS112BX](#) [NYS228G](#) [P10834](#)  
[P2380](#) [P2381X](#) [P2411X](#) [P2412](#) [JM2PB-AU BULK](#) [S2674](#) [280L](#) [163-156N-2-E](#) [163-158N-2-E](#) [2501FT](#) [M10662](#) [RJ5VI-S](#) [TM1R-AU](#)  
[TM2PBMJ-AU](#) [TM2PJ-AU](#) [TM2PJ-AU BULK](#) [4803.1351](#) [49205](#) [TS3PBJ-AU](#) [TS3PBMJ-AU](#) [TT32BX](#) [54B](#) [C55BX](#) [40112](#) [40205](#) [415](#)  
[LRC20M1DE5](#) [52170017-331](#) [NM3](#) [T10711](#) [TJS-102](#) [TS3PBJ-AU BULK](#) [MT334F](#) [NJ3FP6F-P](#) [NPX-PROMO](#) [P10725](#) [CMT336B](#)