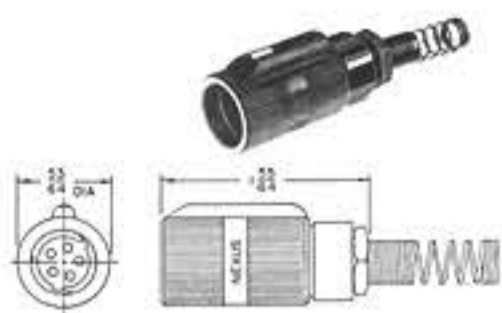


Amphenol Nexus Technologies, Incorporated
 50 Sunnyside Ave.
 Stamford, CT 06902
Phone: 203-327-7300 • **Fax:** 203-324-7623
Email: salesinfo@nexus.com • **Website:** www.nexus.com

[All Categories](#) > [M55116 Mil-Spec and Mil-Spec-type Connectors](#) > [Audio Plugs \(MIL-C-55116\)](#) > [Item # AP-165](#)



[larger image](#)

Item # AP-165, Audio Plugs (MIL-C-55116)

Modled strain relief, solder cup terminals.

Specifications

Number of Contacts	5
Application	Ruggedized Commercial / Military
Overall Diameter	.828 in
Overall Length	1.859 in
Standard	MIL-C-55116
Alternate P/N	M55116/7 U-182 Type
Connector Style	Plug
Contact Types	Solder
Strain Relief	Molded
Shell Material	Stainless Steel, 303, Passivated
Mating	Bayonet Coupling
Mating Cycles	3000
Temperature	-55 to 85 °C
Insert Material	Thermoset Plastic
Contact Material	Gold-plated Brass / Silver-plated BeCu (Springs)
Current Rating	0.5 A
Voltage Rating Maximum	60 V
Contact Depression	1.25-1.75 lbs per contact
Contact Resistance Maximum	.050 Ω
Insulation Resistance	1000 megaohms min, except for connectors unmated after immersion test shall not be less than 100 megaohms
Dielectric Withstanding Voltage; Sea Level (RMV)	500 V
Water Immersion	6 feet of water up to 48 hours (mated and unmated)

Amphenol Nexus Technologies, Incorporated
 50 Sunnyside Ave.
 Stamford, CT 06902
Phone: 203-327-7300 • **Fax:** 203-324-7623
Email: salesinfo@nexus.com • **Website:** www.nexus.com

X-ON Electronics

Largest Supplier of Electrical and Electronic Components

Click to view similar products for [RCA Phono Connectors](#) category:

Click to view products by [Amphenol](#) manufacturer:

Other Similar products are found below :

[16PJ035](#) [16PJ092-E](#) [16PJ092R-E](#) [174-0151-E](#) [174-0153-E](#) [174-4357-E](#) [174-4358-E](#) [174-4359-E](#) [17PP052](#) [280L](#) [174-0254-E](#) [174-4356-E](#)
[17PP058](#) [333-0000](#) [343-0500](#) [RCA I.D. RED](#) [54B](#) [330F3](#) [336AX](#) [342-0000](#) [AP-165](#) [598](#) [AX101880](#) [16PJ150](#) [716SNS1P11PL-25](#) [585](#) [330-](#)
[0000](#) [341-0000](#) [588](#) [431-0100](#) [171-ADRJRJ-E](#) [171-ADRPRP-E](#) [174-0154-E](#) [NYS355](#) [19-1268](#) [PJRAN1X1U01AUX](#) [ACJD-BLK](#) [553-0400](#)
[553-0200](#) [NF2D-2](#) [NF2D-6](#) [NF2D-9](#) [NF2D-B-0](#) [NF2D-B-4](#) [NF2D-B-5](#) [299](#) [ACJB-BLK](#) [ACJD-BLU](#) [ACJD-RED](#) [ACJD-WHT](#) [ACJD-](#)
[YEL](#)