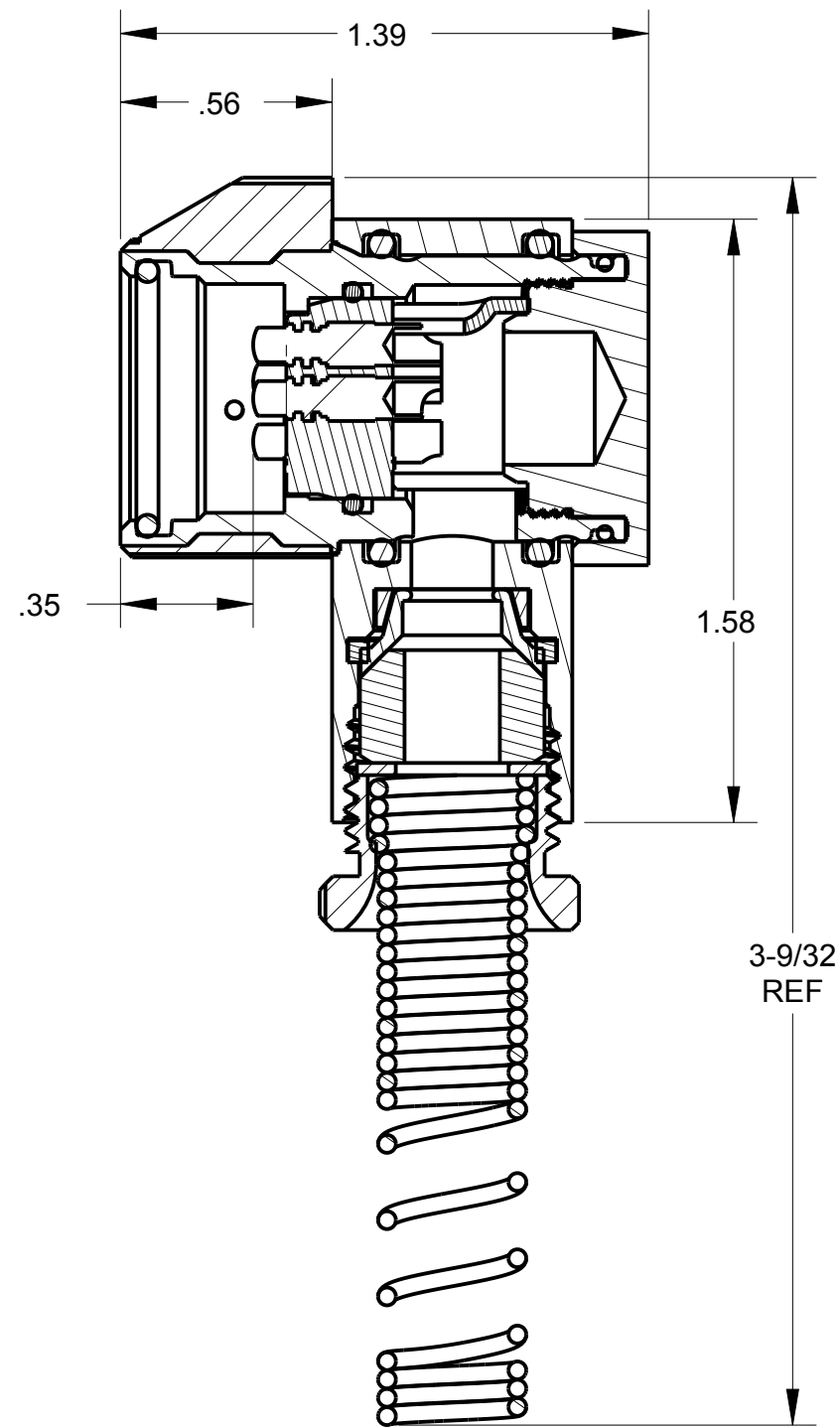
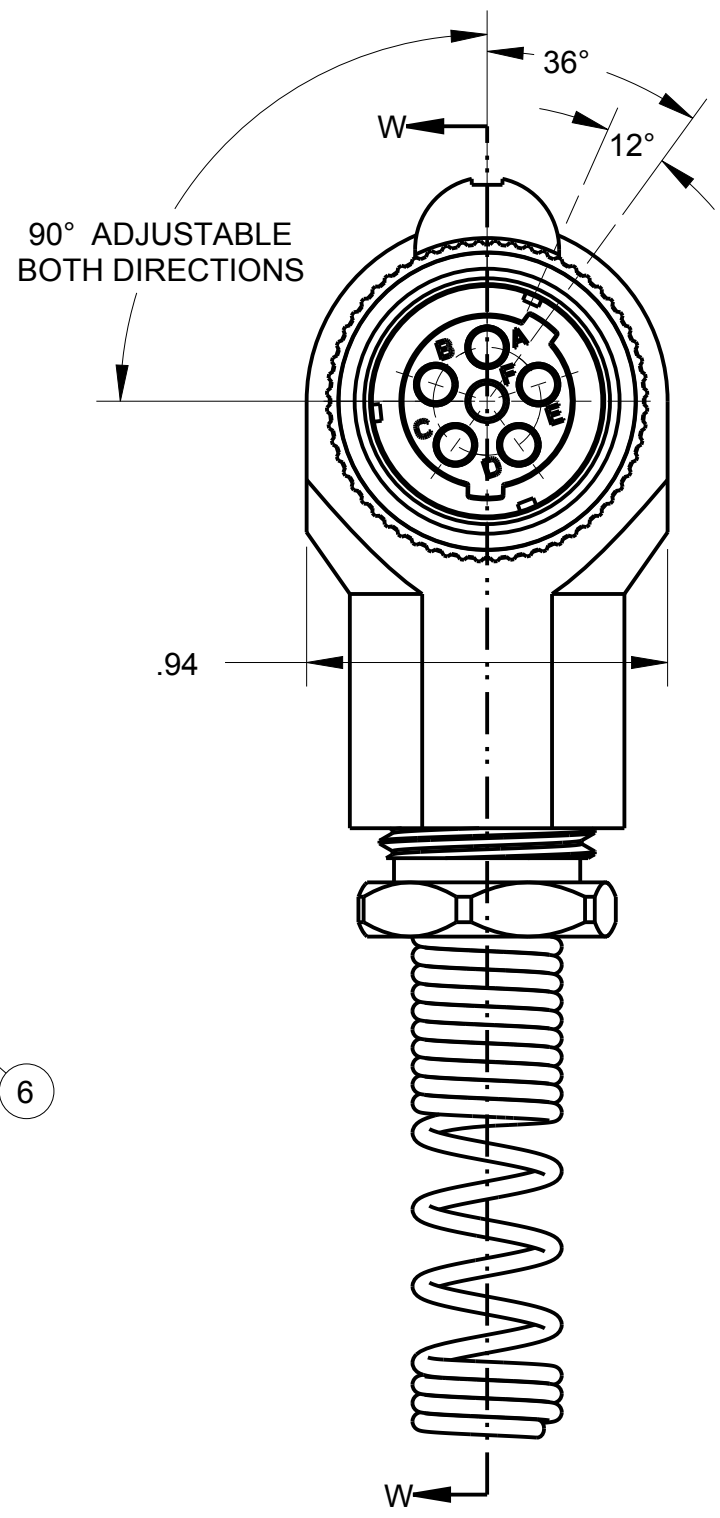
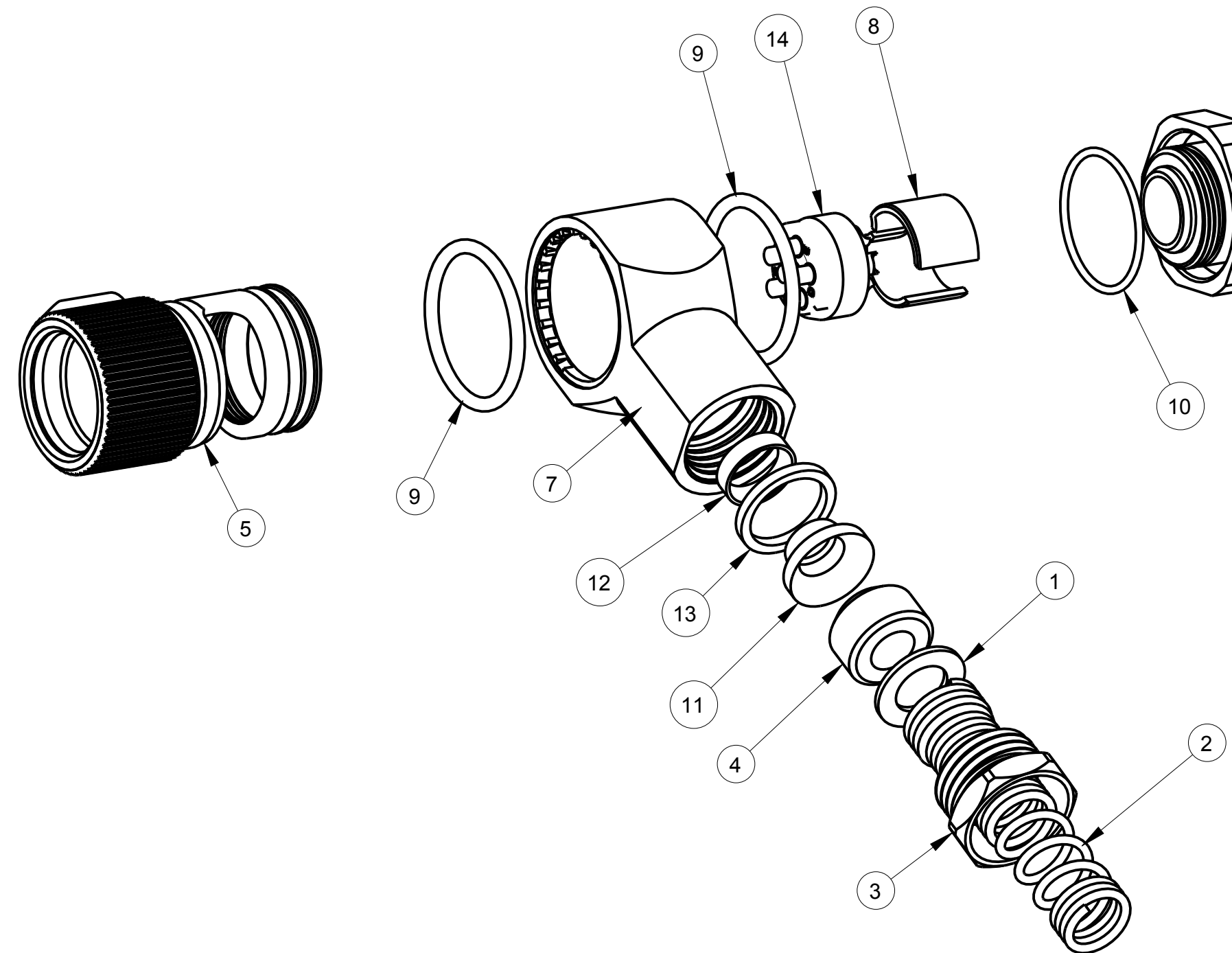


ITEM	PART #	QTY	DESCRIPTION	MATERIAL
1	SEE TABLE #1	1	WASHER	STAINLESS STEEL
2	SEE TABLE #1	1	SPRING	302 STAINLESS STEEL
3	AP-116-6	1	STUD	ANODIZED ALUMINUM ALLOY
4	SEE TABLE #1	1	BUSHING	RUBBER
5	AP-136-35	1	PLUG HSG MOLDING	GLASS FILLED NYLON & 303 SS
6	AP-136-30	1	CAP	ALUMINUM & BLACK CHROME
7	AP-136-31	1	ADAPTER - 90°	BRASS & BLACK CHROME
8	AP-136-33	1	STRAIN RELIEF	NYLON
9	AP-136-36	2	O-RING	ETHYLENE PROPYLENE
10	AP-136-41	1	O-RING	ETHYLENE PROPYLENE
11	AP-136-5	1	CLAMP SHELL (INNER)	BRASS WITH NICKEL PLATING
12	AP-136-6	1	CLAMP INNER (OUTER)	BRASS WITH NICKEL PLATING
13	AP-136-7	1	GASKET	RUBBER
14	AP-146-6	1	INSERT	DIALYLPHTHALATE, TYPE SDGF & GOLD PLATED BRASS

C AP-176RA-CP

TABLE #1				
AUDIO PLUG #	CABLE Ø	BUSHING	WASHER	SPRING
AP-176RA/1	Ø .165 ± .010	AP-116-17	AP-116-2	AP-116-4
AP-176RA/2	Ø .228 ± .010	AP-116-18	AP-116-2	AP-116-4
AP-176RA	Ø .250 ± .010	AP-116-8	AP-116-2	AP-116-4
AP-176RA/4	Ø .290 ± .010	AP-116-19	AP-116-2	AP-116-4
AP-176RA/5	Ø .320 ± .010	AP-116-20	AP-116-22	AP-116-21



SECTION W-W

THIS DOCUMENT CONTAINS PROPRIETARY INFORMATION OF NEXUS, INCORPORATED AND SUCH INFORMATION MAY NOT BE DISCLOSED TO OTHERS FOR ANY PURPOSE OR USED FOR ANY PURPOSE WITHOUT THE WRITTEN CONSENT OF NEXUS.

					DWN.BY	HR	DATE	3/2/11	MATERIAL				
					CHECKED BY		DATE		FINISH				
					APPR.BY		DATE		WEIGHT	SCALE = 1.00 :1			
C	ADD: 12° ; 36° CHG: 3 APPROX TO 3-9/32 REF	226	9/1 2015	HR	UNLESS OTHERWISE SPECIFIED DIMENSIONS ARE IN INCHES & OR (mm) TOLERANCES: DECIMAL: ±.XX(X.X) ±.XXX(X.XX) ±.XXXX(X.XXX) ±.0X(0.X) ±.00X(0.0X) ±.000X(0.0XX)					TITLE AUDIO PLUG - 90		NEXUS STAMFORD, CONN	
B	ADD: TABLE #1(D-1)	212	9/15 2014	HR									
A	RELEASED		3/2 2011	HR	FRACTION: ±X/XX ±.XXX ANGLES: ±X° ±.X°					DO NOT SCALE DWG.	SHEET 1 OF 1	SIZE C	DWG. NO. AP-176RA-CP
LET.	REVISION	CN #	DATE	CHK									

X-ON Electronics

Largest Supplier of Electrical and Electronic Components

Click to view similar products for [Phone Connectors](#) category:

Click to view products by [Amphenol](#) manufacturer:

Other Similar products are found below :

[M444B](#) [6J1041A](#) [R4F](#) [E12BPKG](#) [ECP4PKG](#) [161-3502L-E](#) [MT333X](#) [171-0350-EX](#) [171-101A-EX](#) [171-3325-EX](#) [176S](#) [NC3MG-V](#)
[NYS228G](#) [P10834](#) [P2380](#) [P2381X](#) [P2411X](#) [P2412](#) [P2724](#) [JM2PB-AU BULK](#) [9144](#) [S2674](#) [280L](#) [163-156N-2-E](#) [163-158N-2-E](#) [171-3308-](#)
[EX](#) [171-3500-E](#) [2501FT](#) [CMT335](#) [M10662](#) [330Q](#) [RJ5VI-S](#) [40116](#) [TM1R-AU](#) [TM2PBMJ-AU](#) [TM2PJ-AU](#) [TM2PJ-AU BULK](#) [4803.1351](#)
[49201](#) [49205](#) [TS3PBJ-AU](#) [TS3PBMJ-AU](#) [TT32BX](#) [54B](#) [40112](#) [40205](#) [XMT332B](#) [52170017-331](#) [570](#) [NM3](#)