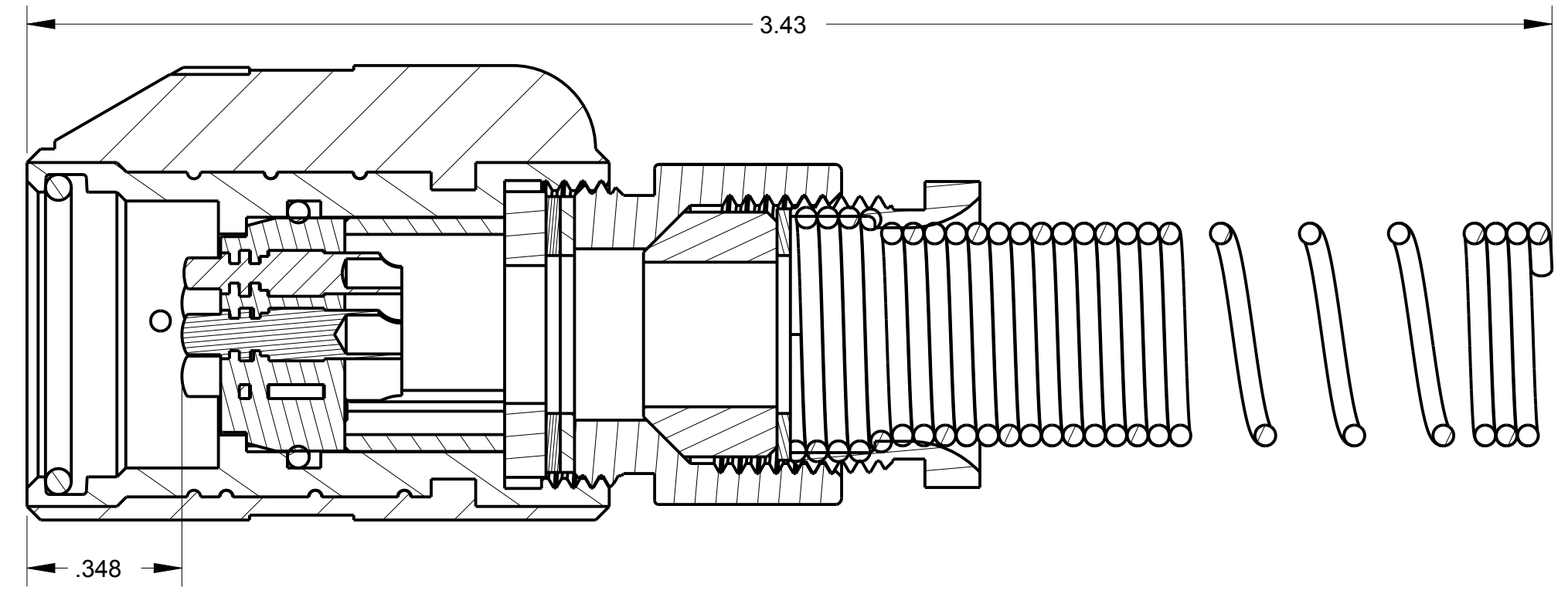
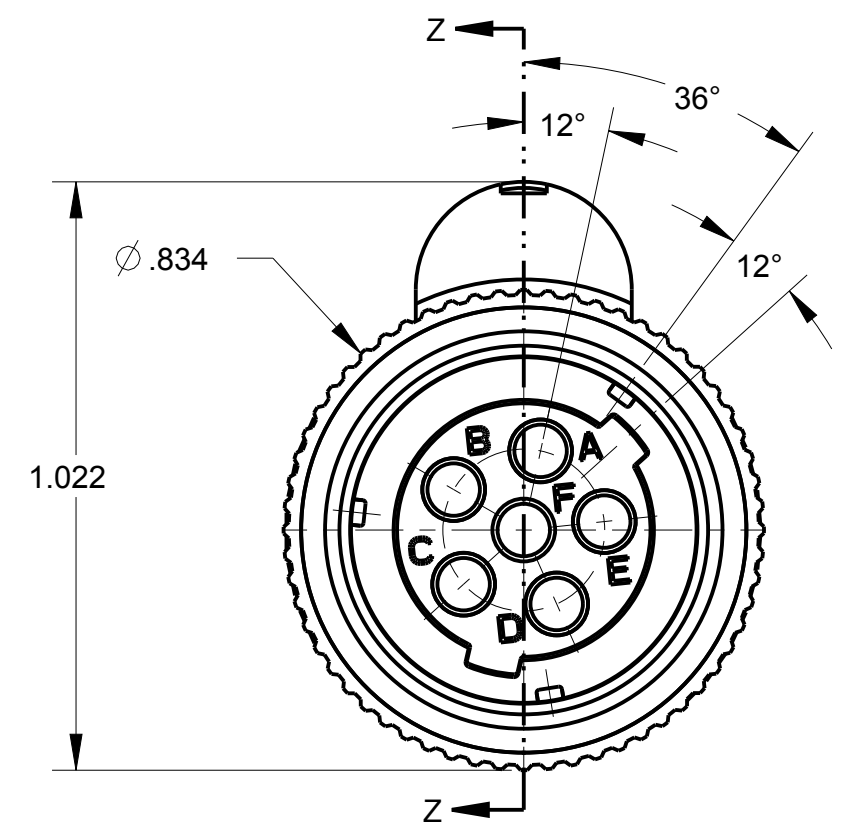
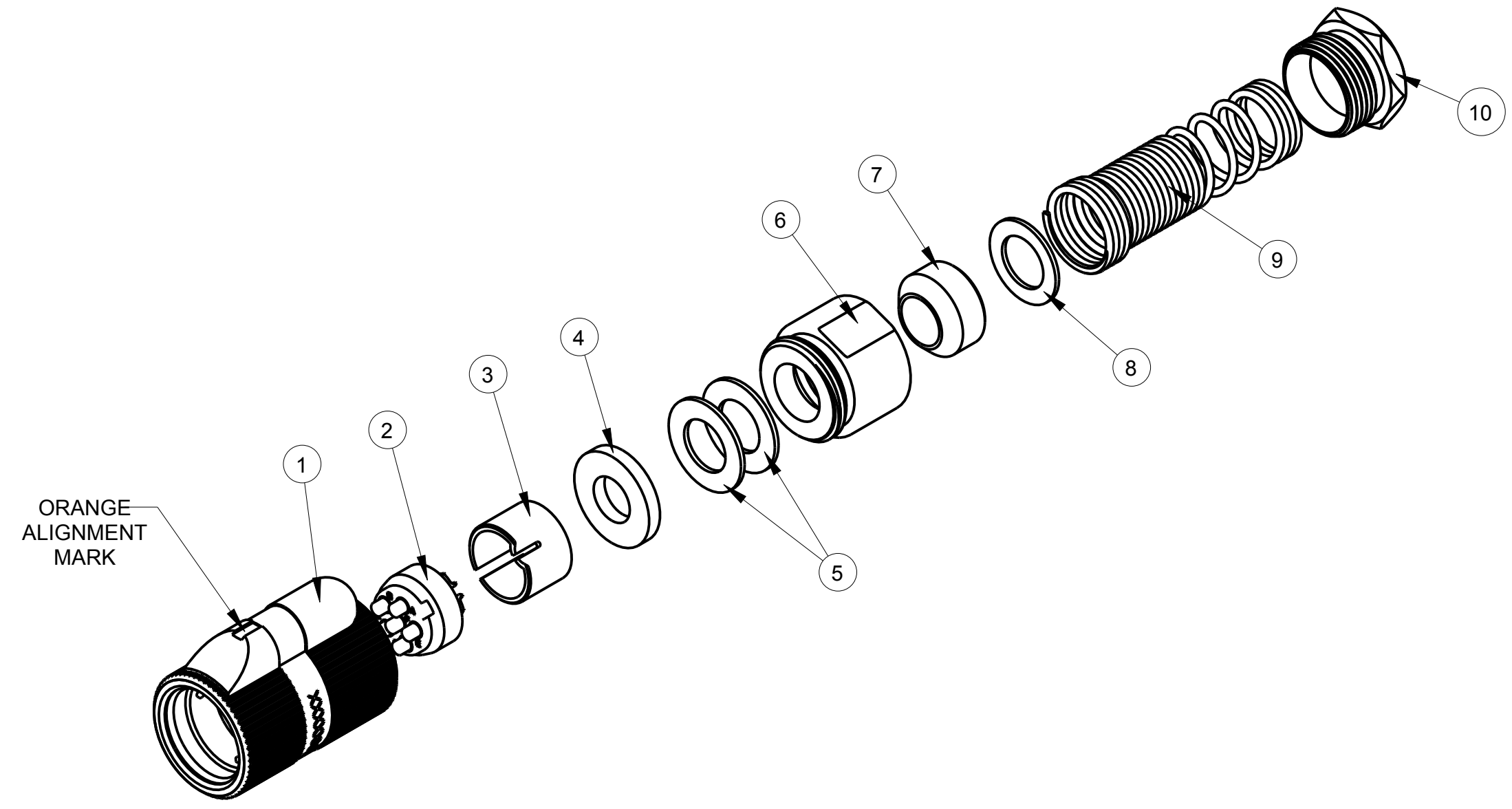


ITEM #	PART #	QTY	DESCRIPTION	MATERIAL
1	AP-176-1	1	SHELL ASS'Y	GLASS FILLED NYLON & 303 SS
2	AP-146-6	1	INSERT ASS'Y	DIALLYPHTHALATE, TYPE SDGF & GOLD PLATED BRASS
3	AP-105-5	1	STRAIN RELIEF	NYLON
4	AP-116-16	1	WASHER	RUBBER
5	AP-136-10	2	WASHER	STAINLESS STEEL
6	AP-136-13	1	NUT ADAPTER	STAINLESS STEEL
7	AP-116-14	1	BUSHING	RUBBER, BLACK
8	AP-116-10	1	WASHER	STAINLESS STEEL
9	AP-116-11	1	SPRING	302 STAINLESS STEEL
10	AP-116-15	1	STUD	ANODIZED ALUMINUM ALLOY

C AP-186

NOTES:  
 1) UNLESS OTHERWISE SPECIFIED, CONNECTOR MEETS ALL GENERAL REQUIREMENTS & SPECIFICATIONS OF MIL-C-55116



SECTION Z-Z

THIS DOCUMENT CONTAINS PROPRIETARY INFORMATION OF NEXUS, INCORPORATED AND SUCH INFORMATION MAY NOT BE DISCLOSED TO OTHERS FOR ANY PURPOSE OR USED FOR ANY PURPOSE WITHOUT THE WRITTEN CONSENT OF NEXUS.

					DWN.BY	EWT	DATE	1/2/08	MATERIAL	
					CHECKED BY		DATE		FINISH	
					APPR.BY		DATE		WEIGHT	SCALE = 1.00 : 1
C	CHG; AP-176-2 TO AP-176-1	101	5/14 2012	HR	UNLESS OTHERWISE SPECIFIED DIMENSIONS ARE IN INCHES & OR [mm]				TITLE	NEXUS STAMFORD, CONN
B	1) REMOVE PRESSED IN PIN 2) ADD (SEE NOTE 2) 3) ADD WASHER, 2-AP136-10 4) ADD NOTE 2 5) IN MAT'LS REMOVE WITH SS PINS	045	2/12 2010	GPH	DECIMAL: ±XX[X.X] ±.01[0.3]	±XXX[XX] ±.003[0.08]				
A	INITIAL RELEASE		1/2 2008	EWT	FRACTION: ±XXX ± 1/64	ANGLES: ±X ° ±5 °			DO NOT SCALE DWG.	SHEET 1 OF 1
LET.	REVISION	CN #	DATE	CHK						

## X-ON Electronics

Largest Supplier of Electrical and Electronic Components

*Click to view similar products for [Phone Connectors](#) category:*

*Click to view products by [Amphenol](#) manufacturer:*

Other Similar products are found below :

[M444B](#) [6J1041A](#) [R4F](#) [E12BPKG](#) [ECP4PKG](#) [161-3502L-E](#) [MT333X](#) [171-0350-EX](#) [171-101A-EX](#) [171-3325-EX](#) [176S](#) [NC3MG-V](#)  
[NYS228G](#) [P10834](#) [P2380](#) [P2381X](#) [P2411X](#) [P2412](#) [P2724](#) [JM2PB-AU BULK](#) [9144](#) [S2674](#) [280L](#) [163-156N-2-E](#) [163-158N-2-E](#) [171-3308-](#)  
[EX](#) [171-3500-E](#) [2501FT](#) [CMT335](#) [M10662](#) [330Q](#) [RJ5VI-S](#) [40116](#) [TM1R-AU](#) [TM2PBMJ-AU](#) [TM2PJ-AU](#) [TM2PJ-AU BULK](#) [4803.1351](#)  
[49201](#) [49205](#) [TS3PBJ-AU](#) [TS3PBMJ-AU](#) [TT32BX](#) [54B](#) [40112](#) [40205](#) [415](#) [XMT332B](#) [52170017-331](#) [570](#)