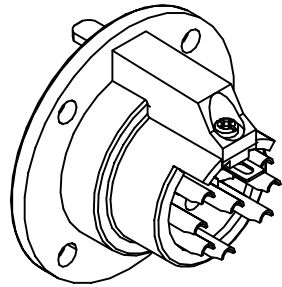
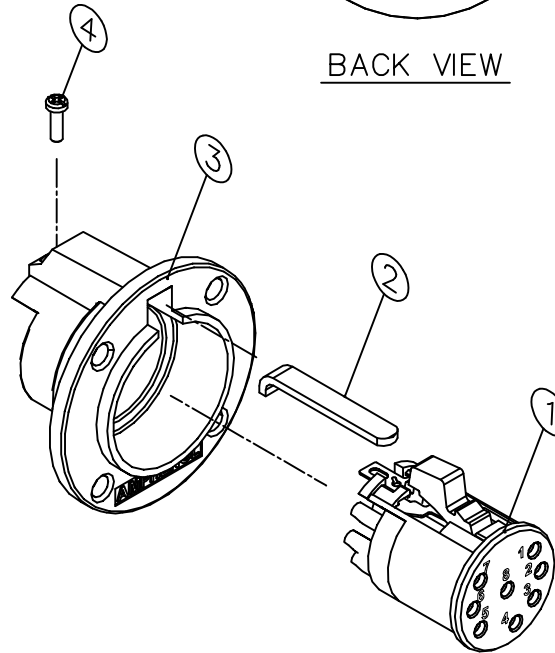


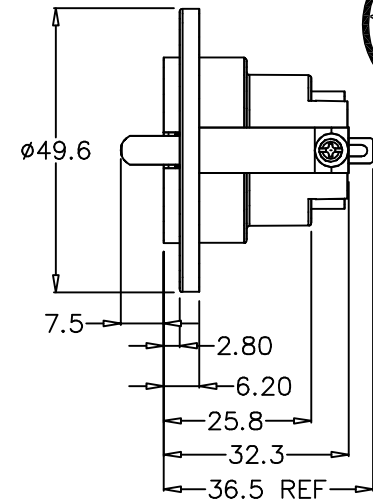
BACK VIEW



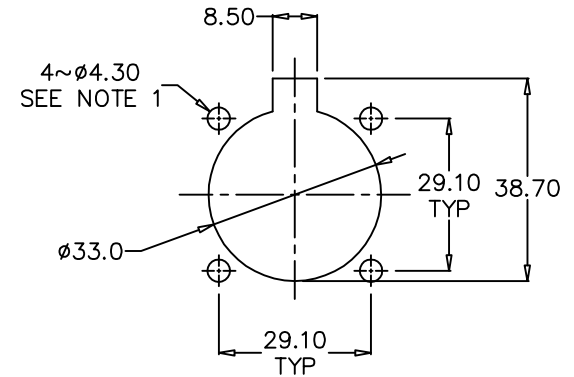
ISO VIEW



NOTE: 1. THE DIAMETER OF THE 4 MOUNTING HOLES ON THE PANEL CUT OUT DEPENDS ON THE SIZE OF THE SCREW TO BE USED  
 2. FOR EXAMPLE: FOR AN AP-8-13 USE ASSY No. 128209-0008



TOP VIEW



PANEL CUT OUT



AP-* -13 TYPE	EP/AP INSERT P/N
AP - 2 - 13	156-4401-002
AP - 3 - 13	156-4401-003
AP - 4 - 13	156-4401-004
AP - 5 - 13	156-4401-005
AP - 6 - 13	156-4401-006
AP - 8 - 13	156-4401-008

ITEM	PART No.	DWG No.	DESCRIPTION	QTY
5	990-4501-000	990-4501-000	2-32 PAN HEAD SCREW, SHORT	1
4	990-4400-000	990-4400-000	2-32 PAN HEAD SCREW, LONG	1
3	248-4413-000	248-4413-000	AP MRK II 13 SHELL	1
2	208-4001-000	208-4001-000	EP/AP LATCH LEVER	1
1	REFER CHART	REFER CHART	EP SOCKET INSULATOR ASSY	1

UNLESS OTHERWISE SPECIFIED TOLERANCE TO BE:  
 LINEAR: X ± 1.00 X' ± 1'  
 ANGULAR: X.X ± 0.50 X'X' ± 30'  
 X.XX ± 0.20 X'X'X' ± 15'  
 CAD FILE: 00810100 DRN: S.M.D DATE: 07-02-90  
 MATL: REFER TO COMPONENT CKD: T.N DATE: 18-09-01  
 FINISH: REFER TO COMPONENT APP'D: P.M DATE: 11-10-01  
 DIMENSIONS IN MILLIMETRES THIRD ANGLE PROJECTION SCALE: 2:1 UOS PART No: 128209-000\*

1	UPDATE TO AMPHENOL TITLE BLOCK & LOGO REDRAW, ADD BOM & PANEL CUT OUT DETAILS	M.N.H.	24-04-01	7788
	FIRST ISSUE	S.M.D	07-02-90	----
REV.	CHANGE DETAILS	BY	DATE	CHG/No
TITLE: AP-* -13 CUSTOMER/ASSEMBLY DRAWING		Amphenol Australia Pty Ltd, 2 Fineways Blvd, Keysborough, Vic 3173		
DRAWING NO. 128209-000*		SHEET 1 OF 1		

## X-ON Electronics

Largest Supplier of Electrical and Electronic Components

*Click to view similar products for [Loudspeaker Connectors](#) category:*

*Click to view products by [Amphenol](#) manufacturer:*

Other Similar products are found below :

[HFRP-01](#) [LRX](#) [FE6935](#) [EP-3-14](#) [EP-4-12](#) [SC-M2-20](#) [CC-212](#) [CC-226](#) [FM1250](#) [FM1255](#) [FM1285](#) [NL4FRX](#) [NL4MMX](#) [NL4MPR](#)  
[NL4MP-ST](#) [NL8FC](#) [NLT4FP-BAG](#) [NLT8MP](#) [NLT8MP-BAG](#) [SP-4-MDV](#) [EP-8-11P](#) [EP-6-13P](#) [HPCC4FT](#) [NL4FX-5](#) [NL4MD-H](#) [NL4MD-](#)  
[V-2](#) [NL4MP-UC](#) [NLJ2MD-H](#) [NLT4MP](#) [SCNLT](#) [CP303010](#) [CP303010X](#) [HFRP-01B](#) [SP-2-FSG](#) [SP-2-FNSG](#) [AP-4-21](#) [AP-5-22](#) [AP-6-14](#)  
[AP-8-11](#) [AP-8-13](#) [SC-M2-04](#) [SC-NB10-1.0](#) [SC-NB20-1.0](#) [SC-NB30-1.0](#) [SC-NI10-0.6](#) [SC-NI10-1.8](#) [SC-NI4-0.75](#) [SC-NI6-0.6](#) [SC-NI6-2.7](#)  
[SC-SA15-0.6](#)