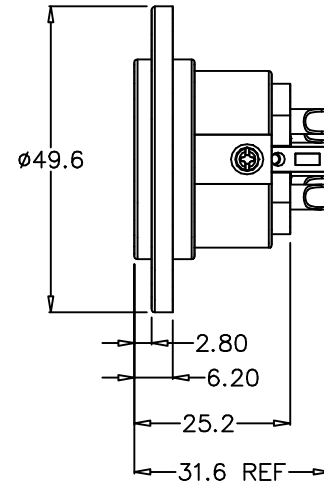
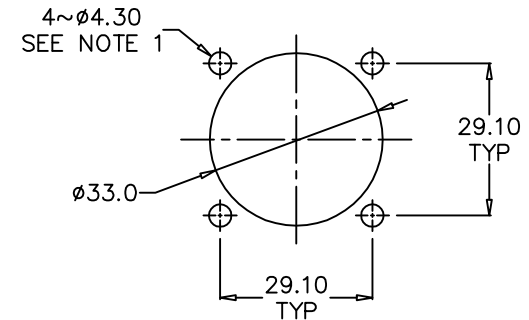
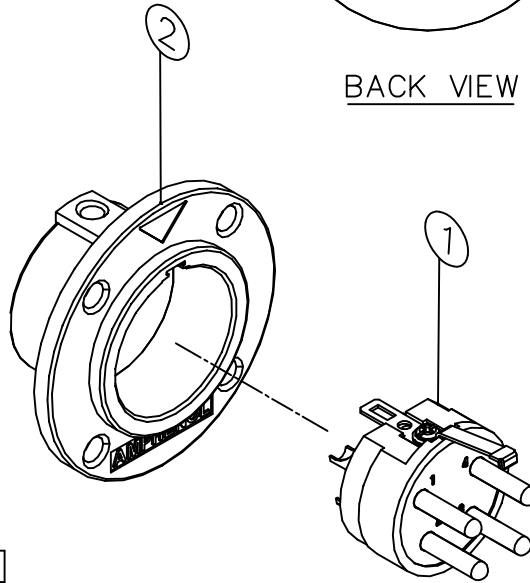
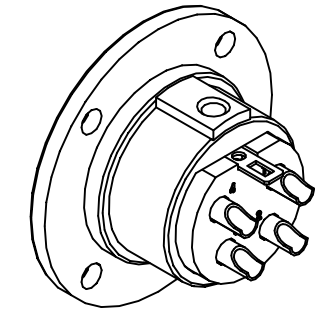


BACK VIEW



TOP VIEW



PANEL CUT OUT

AP-*14 TYPE	EP/AP INSERT P/N
AP - 3 - 14	156-4402-003
AP - 4 - 14	156-4402-004
AP - 5 - 14	156-4402-005
AP - 6 - 14	156-4402-006
AP - 8 - 14	156-4402-008

NOTE: 1. THE DIAMETER OF THE 4 MOUNTING HOLES ON THE PANEL CUT OUT DEPENDS ON THE SIZE OF THE SCREW TO BE USED
2. FOR EXAMPLE: FOR AN AP-4-14 USE ASSY No. 128211-0004

UNLESS OTHERWISE SPECIFIED TOLERANCE TO BE	
LINEAR	ANGULAR
X ± 0.50	X' ± 1'
X.X ± 0.25	X'X' ± 30'
X.XX ± 0.10	X'X'X' ± 15'

THIS DOCUMENT IS THE PROPERTY OF AMPHENOL AUSTRALIA PTY. LTD.. NO PART THEREOF MAY BE REPRODUCED AND USED WITHOUT THE PRIOR WRITTEN CONSENT OF THE OWNER

1	UPDATE TO AMPHENOL TITLE BLOCK & LOGO REDRAW, ADD BOM & PANEL CUT OUT	M.N.H.	24-04-01	7789
	FIRST ISSUE	D.v.E.	15-04-94	----
REV.	CHANGE DETAILS	BY	DATE	CHG/No

ITEM	PART No.	DWG No.	DESCRIPTION	QTY
2	248-4414-000	248-4414-000	AP MRK II 14 SHELL	1
1	SEE CHART	SEE CHART	EP/AP PIN INSULATOR ASSEMBLY	1

CAD FILE: 00811100	DRN: C.J.W.	DATE: 15-04-94
MATL: REFER TO COMPONENT	CKD: T.N	DATE: 18-09-01
FINISH: REFER TO COMPONENT	APP'D: P.M	DATE: 11-10-01
DIMENSIONS IN MILLIMETRES	THIRD ANGLE PROJECTION	SCALE: 2:1 UOS

TITLE: AP-*14 CUSTOMER/ASSEMBLY DRAWING		Amphenol	
PART No: 128211-000*		Amphenol Australia Pty Ltd, 2 Fineways Blvd, Keysborough, Vic 3173	
SIZE: A3		DRAWING NO. SHEET	
128211-000*		1 of 1	

X-ON Electronics

Largest Supplier of Electrical and Electronic Components

Click to view similar products for [Loudspeaker Connectors](#) category:

Click to view products by [Amphenol](#) manufacturer:

Other Similar products are found below :

[HFRP-01](#) [LRX](#) [FE6935](#) [EP-3-14](#) [EP-4-12](#) [SC-M2-20](#) [CC-212](#) [CC-226](#) [FM1250](#) [FM1255](#) [FM1285](#) [NL4FRX](#) [NL4MMX](#) [NL4MPR](#)
[NL4MP-ST](#) [NL8FC](#) [NLT4FP-BAG](#) [NLT8MP](#) [NLT8MP-BAG](#) [SP-4-MDV](#) [EP-8-11P](#) [EP-6-13P](#) [HPCC4FT](#) [NL4FX-5](#) [NL4MD-H](#) [NL4MD-](#)
[V-2](#) [NL4MP-UC](#) [NLJ2MD-H](#) [NLT4MP](#) [SCNLT](#) [CP303010](#) [CP303010X](#) [HFRP-01B](#) [SP-2-FSG](#) [SP-2-FNSG](#) [AP-4-21](#) [AP-5-22](#) [AP-6-14](#)
[AP-8-11](#) [AP-8-13](#) [SC-M2-04](#) [SC-NB10-1.0](#) [SC-NB20-1.0](#) [SC-NB30-1.0](#) [SC-NI10-0.6](#) [SC-NI10-1.8](#) [SC-NI4-0.75](#) [SC-NI6-0.6](#) [SC-NI6-2.7](#)
[SC-SA15-0.6](#)