

Amphenol®



Amphe-PD™

RADSOK® Enabled Power Connector Brochure

www.amphenol-industrial.com

Company Introduction

Company Overview

Manufacturing connectors since 1932, we take pride that the Amphenol is the undisputed leader in interconnect systems for harsh environment applications. Such applications require a high degree of engineering sophistication and precision manufacturing capability. Innovations like our RADSOK® contact technology can provide roughly 50% more current through the same size pin. Connectors utilizing this RADSOK® technology will outperform similar products in the market hands down.

Amphenol Industrial Operations, headquartered in a 50,000 square foot facility in Endicott, N.Y., provides a full range of high reliability power/signal connectors and interconnection systems specifically for the industrial markets including rail/mass transit, process control, automotive manufacturing, heavy equipment, wireless base stations and petrochemical/power generation.

Products include ruggedized-for-industry cylindrical, rectangular, fiber optic, signal and power, RADSOK power and power-to-board solutions, cable and harness assemblies, as well as industrialized versions of Amphenol's MIL-DTL-5015 cylindrical, MIL-DTL-26482 miniature cylindrical and GT reverse bayonet cylindrical connectors. Amphenol Industrial Operations employs more than 1,400 people globally and is ISO9001, TS96949 and MIL-STD-790 certified.

Amphe-PD™ Series

- RADSOK® sizes 5.7mm and 3.6mm
- 120A and 70A rated 2 position connector
- Low profile right angle exit less than ½ inch mated height
- 12 AWG to 2 AWG crimp contact with insulated latching housings
- RADSOK® Socket and pin / silver over nickel plating
- High Temp LCP housing for SMT processing of PCB mount receptacles



**Amphenol Industrial Operations
Endicott, NY USA**

Amphe-PD™

Amphenol's Amphe-PD™ series of "RADSOK® enabled" power connectors is a versatile and cost effective solution for your high current interconnect requirements. Available in the compact 3.6mm, 70A rated option and a larger 5.7mm, 120A big brother. The Amphe-PD™ is reintroduced with a new black PBT housing that is more robust and aesthetically pleasing. The Amphe-PD™ series meets RoHS requirements and is UL and IEC finger touch safe. Available in a myriad of configurations for high flex cable, PCB, and busbar mounting. Custom cable assemblies are available.

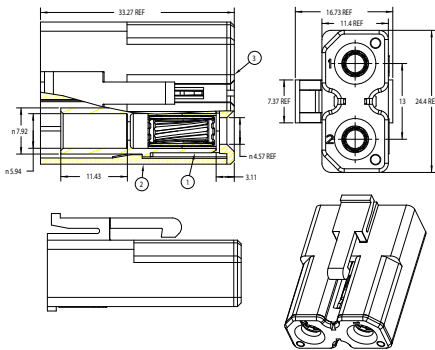
Amphe-PD Gen1 3.6mm

Plug Connector with Crimp Terminals	
Part Number	Description
C10-752156-000	BLACK, 3.6MM - AWG 12
C10-752157-000	BLACK, 3.6MM - AWG 8
C10-752158-000	BLACK, 3.6MM - AWG 6
C10-752159-000	BLACK, 3.6MM - AWG 4
C10-752160-000	BLACK, 3.6MM - AWG 8 1500V SPECIAL

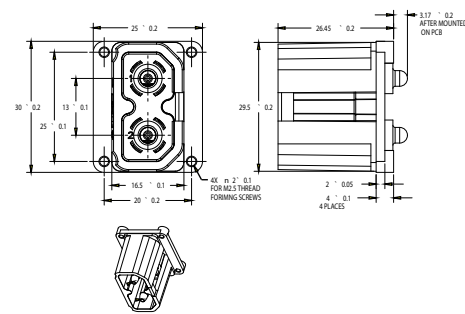
Receptacle Connectors: PCB, Busbar, or Crimp Contacts	
Part Number	Description
C10-752153-001	BUSBAR RECEPTACLE BLACK 3,6MM
C10-752109-000	PCB SOLDER SMT LCP, 3,6MM, R/A
C10-747795-000	PCB SOLDER SMT LCP, 3,6MM, R/A
C10-747781-000	PCB SOLDER SMT LCP, 3,6MM, VERTICAL
C10-752155-000	PCB SOLDER SMT LCP, 3,6MM, VERTICAL
C10-753787-XXX	BLACK, 3,6MM, CRIMP 4,8,12 AWG
C10-753786-000	BLACK, 3,6MM, CRIMP 6AWG
C10-752161-000	BLACK, 3,6MM, CRIMP 8AWG 1500V SPECIAL

DIMENSIONAL REFERENCE

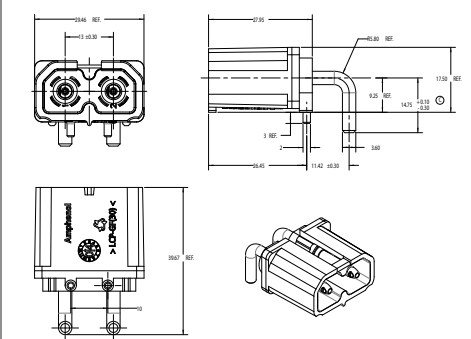
C10-752158-000
RADSOK® Plug, 3.6mm



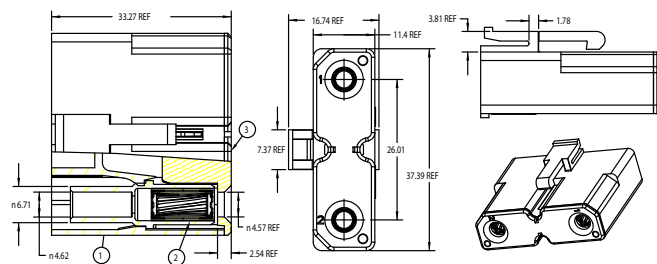
C10-752155-000
RADSOK® Receptacle, 3.6mm



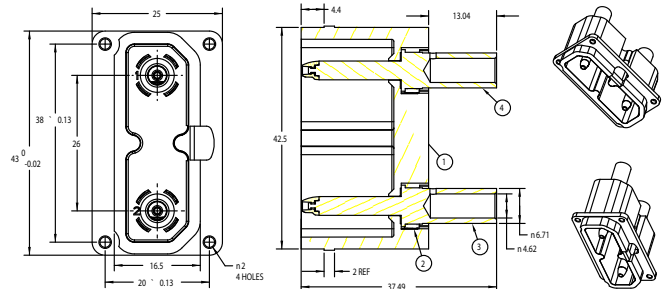
C10-474495-000
RADSOK® Receptacle, 3.6mm



C10-752160-000
RADSOK® Plug, 1500V



C10-752161-000
RADSOK® Receptacle, 1500V



RADSOK® Amphe-PD Cable Assemblies are Available

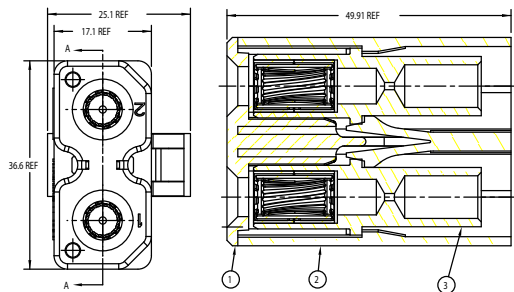
Amphe-PD Gen1 5.7mm

Plug Connector with Crimp Terminals	
Part Number	Description
C10-752162-000	BLACK, 5.7MM - AWG 4
C10-685188-000	BLACK, 5.7MM - AWG 4

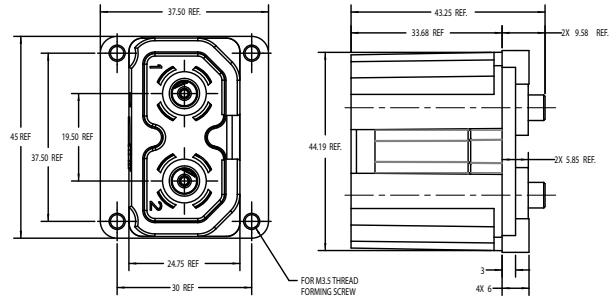
Receptacle Connectors: PCB	
Part Number	Description
C10-752163-000	PCB SOLDER RECEPTACLE BLACK, 5.7MM
C10-685189-000	CRIMP AWG 4, RECEPTACLE, GRAY, 5.7MM
C10-779638-000	CRIMP AWG 4, RECEPTACLE, GRAY, 5.7MM

DIMENSIONAL REFERENCE

C10-752162-000
RADSOK® Plug, 400V



C10-752163-000
RADSOK® Receptacle, 400V



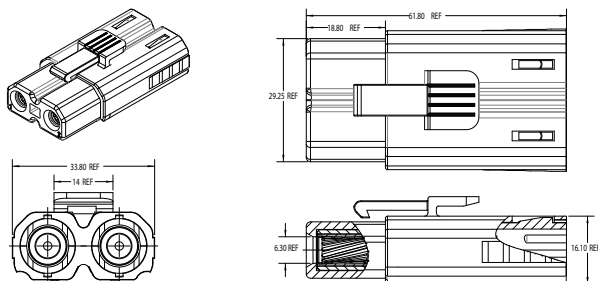
Amphe-PD Mini 5.7mm

Plug Connector with Crimp Terminals	
Part Number	Description
APD057PRC0201700B	BLACK, 5.7MM - AWG 2
APD057PRC0401700B	BLACK, 5.7MM - AWG 4
APD057PRC0601700B	BLACK, 5.7MM - AWG 6

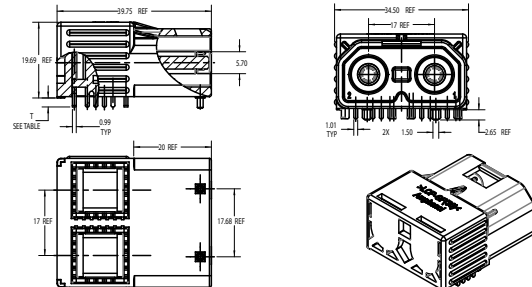
Receptacle Connectors: PCB	
Part Number	Description
APD057RRS2341700B	SOLDIER TAIL LENGTH 2.34MM, BLACK, 5.7MM
APD057RRS2841700B	SOLDIER TAIL LENGTH 2.84MM, BLACK, 5.7MM
APD057RRS3841700B	SOLDIER TAIL LENGTH 3.84MM, BLACK, 5.7MM
APD057RRP3801700B	PRESS FIT PCB, RECEPTACLE, BLACK, 5.7MM

DIMENSIONAL REFERENCE

APD057PRC0401700B
RADSOK® Plug, 4AWG CABLE



APD057RRS2341700B
RADSOK® Receptacle, 2.34MM



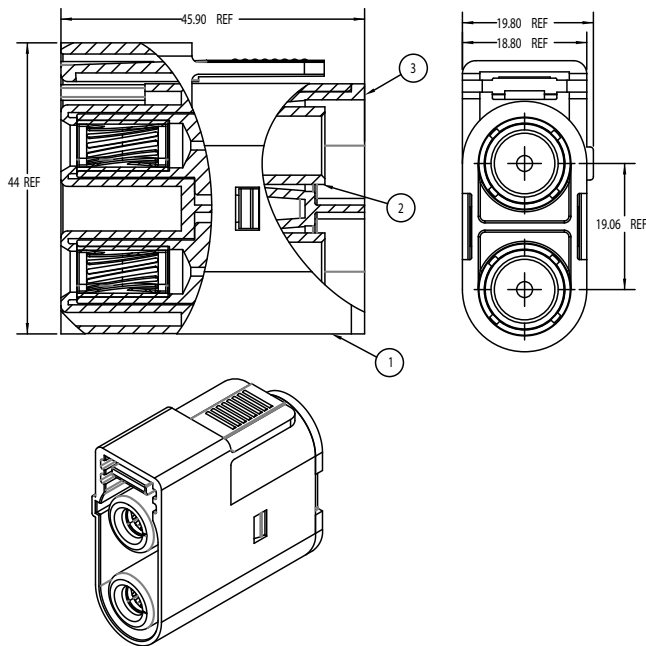
Amphe-PD Gen2 5.7mm

Plug Connector with Crimp Terminals	
Part Number	Description
APD057PVC0401906RA	RED, 5.7MM - AWG 4
APD057PVC0401906BA	BLACK, 5.7MM - AWG 4

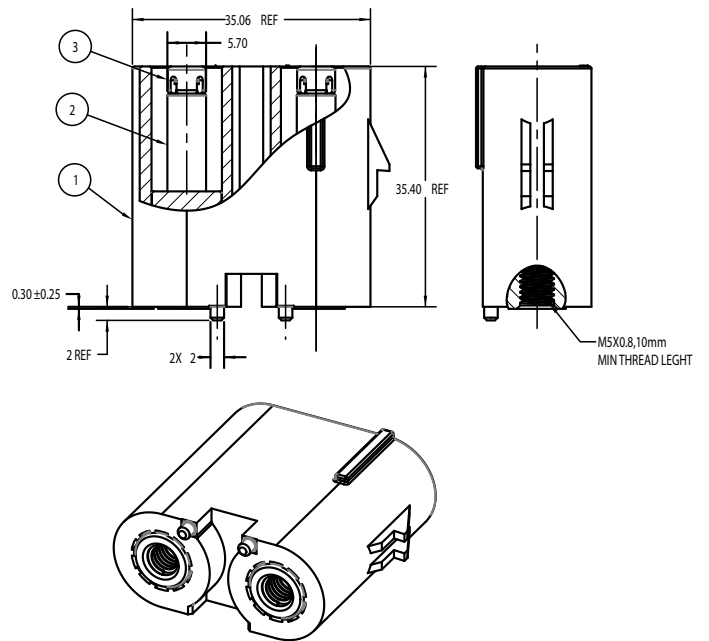
Receptacle Connectors: PCB	
Part Number	Description
APD057RVBM051905RA	BOLT ON PCB RECEPTACLE RED, 5.7MM
APD057RVBM051905BA	BOLT ON PCB RECEPTACLE BLACK, 5.7MM

DIMENSIONAL REFERENCE

APD057PVC0401906BA
RADSOK® Plug, 4AWG Cable



APD057RVBM051905BA
RADSOK® Receptacle, BOLT ON



Amphe-PD Code Numbers

1	2	3	4	5	6	7	8
APD	XXX	X	X	XXXX	XXXX	X	X
Product Line	RADSOK®	Plug/Receptacle	Mating direction	Terminal Spec	Pitch	Color	Keyway
Amphe-PD	057=5.7mm	P: Plug R: Receptacle	R: Right Angle V: Vertical	Receptacle: Press fit or soldering SXXX: Solder + length of solder pin PXXX: Press fit + length of needle BXXX: Bolt on + screw spec. Plug: Crimp cable CXXX: Crimp + wire gauge	Mini PD: 1700:17mm Gen2 PD: 1906: 19.06mm	R: Red B: Black	Omit: No keyway A: A keyway B: B keyway



AMPHENOL CORPORATION

Amphenol Industrial

Phone: 888-364-9011

20 Valley Street

Endicott, NY 13760-3600

www.amphenol-industrial.com

Amphenol Technology(Zhuhai) Co., Ltd.

No.63, Xinghan Road, Sanzao Town,

Jinwan, Zhuhai, 519040

China Tel: +86-756-398 9725

Fax: +86-756-398 9768

www.amphenol-industrial.com

Email: tech@amphenol-aio.com

X-ON Electronics

Largest Supplier of Electrical and Electronic Components

Click to view similar products for [Heavy Duty Power Connectors](#) category:

Click to view products by [Amphenol](#) manufacturer:

Other Similar products are found below :

[6646058-2](#) [6646137-1](#) [6646138-1](#) [6646940-1](#) [6651091-1](#) [6651525-1](#) [6651529-1](#) [696475-1](#) [702-32-01109](#) [73080255059](#) [73080965046](#)
[7310205040001](#) [765-16-0080B](#) [765-18-0080D](#) [902-77-02113](#) [PS00/A0620/6300](#) [AN0024023](#) [154-42B7WM250](#) [MS3117-14AC](#) [1643543-1](#)
[1766966-1](#) [1791340000](#) [NLDFT-3-BL-L-S120-M40A](#) [NLDFT-N-W-L-C240-M40B](#) [1926015-1](#) [NLS-3-BL-C240-M40B](#) [NLS-N-W-C240-](#)
[M40B](#) [NPS-3-BL-T6](#) [2-1589900-8](#) [9300480317](#) [294-0091-01100](#) [296-0040-01100](#) [1-6609148-0](#) [A32595-0049](#) [1766249-1](#) [19000005132](#)
[1926016-1](#) [1-966831-8](#) [AN0024202](#) [AN0264023](#) [279-0841-10100A](#) [281-0334-00100A](#) [RMSB4](#) [419-2083-301](#) [LCDX4/0-14B-X](#) [075-8519-](#)
[001](#) [078238-1613](#) [07.470.3256.0](#) [09000005288](#) [09140240311](#)