

NOTES:

1. MATERIALS AND FINISHES:

BODY, LOCKWASHER & HEX NUT - BRASS (ASTM-B16 H02, C36000), NICKEL PLATING  
 CONTACT PIN - BeCu, GOLD PLATING  
 INSULATOR - PTFE PER ASTM D 1710 OR EQUIV.  
 GASKET - SILICONE RUBBER, COLOR RED

2. ELECTRICAL:

A. IMPEDANCE: 50 OHM  
 B. FREQUENCY RANGE: DC - 11 GHz

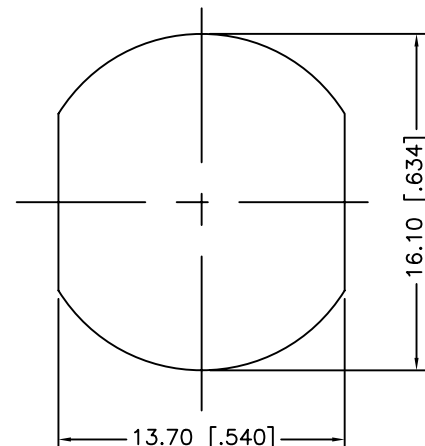
3. MECHANICAL:

A. TEMPERATURE RANGE: -65° C TO +165° C

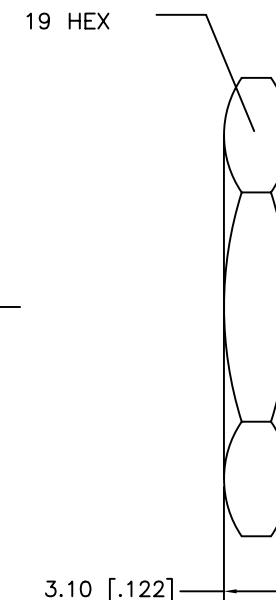
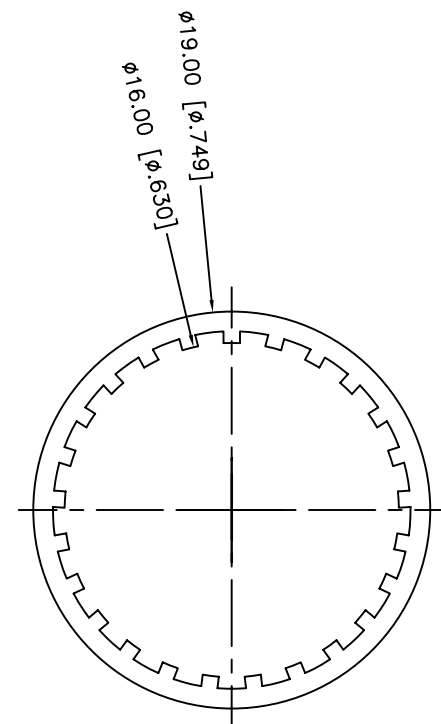
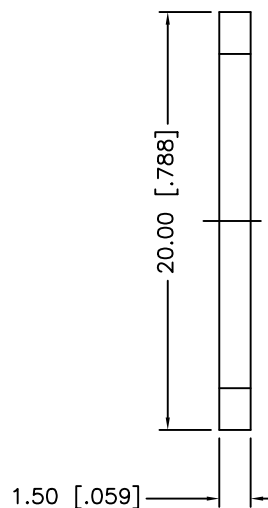
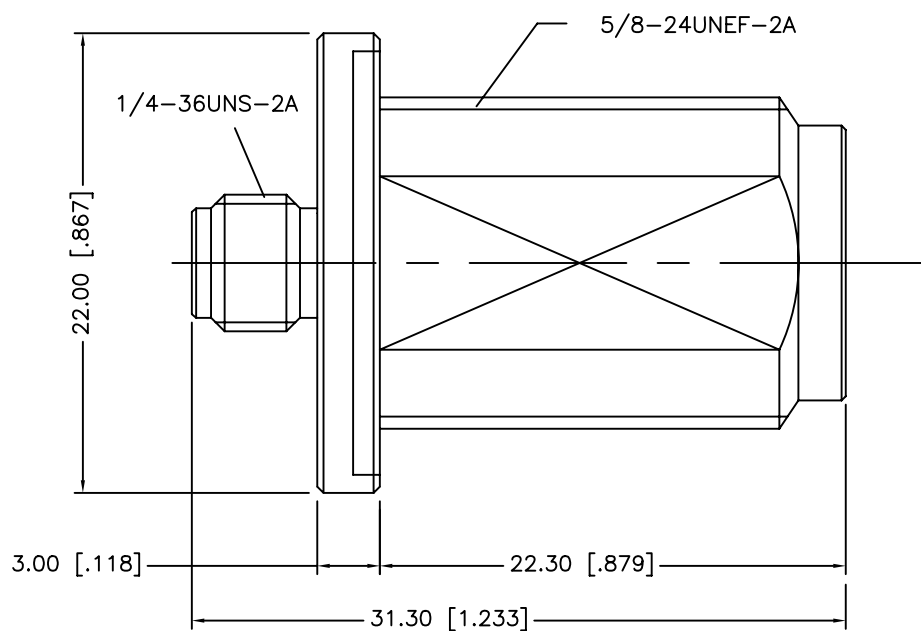
4. PACKAGING:

A. QUANTITY: SINGLE PACK  
 B. MARKING: BAG TO BE MARKED  
 \*AMPHENOL, APH-SMAJ-NJBHD, AND DATE CODE

APH-SMAJ-NJBHD		REVISIONS			
DRAWING NO.	REV	DESCRIPTION	DATE	ECO	APPR
THIRD ANGLE PROJ.	A	RELEASE TO MFG.	9/12/06	46263	CPM/



RECOMMENDED MOUNTING HOLE



UNLESS OTHERWISE SPECIFIED, DIMENSIONS ARE IN INCHES AND TOLERANCES ARE:  
 2 PLACE DECIMAL 3 PLACE DECIMAL ANGLES  
 ±.015 (0,381 mm) ±.005 (0,127 mm) ± 1°

NOTICE - These drawings, specifications, or other data (1) are, and remain the property of Amphenol Corp. (2) must be returned upon request; and (3) are confidential and not to be disclosed to any person other than those to whom they are given by Amphenol Corp. The furnishing of these drawings, specifications, or other data by Amphenol Corp., or to any other person to anyone for any purpose is not to be regarded by implication or otherwise in any manner licensing, granting rights or permitting such holder or any other person to manufacture, use or sell any product, process or design, patented or otherwise, that may in any way be related to or disclosed by said drawings, specifications, or other data.

MATERIAL	DRAWN C. McGRATH ENGINEER	DATE 4/29/05
REFERENCE	APPROVED D. BARTHELMES	DATE 4/29/05
		DATE 9/8/06
CAD FILE H:\DEPT611\ASSY\APH\SMAJ-NJBHD		

TITLE N FEMALE TO SMA FEMALE BULKHEAD ADAPTER	CODE ID 74868	DWG SIZE B	DRAWING NO. APH-SMAJ-NJBHD
--	------------------	---------------	-------------------------------

Amphenol Amphenol Corporation RF/Microwave Operations Danbury, Conn. U.S.A. 06810	SCALE: 2:1 SHEET OF	ISSUE A
--	---------------------	------------

## X-ON Electronics

Largest Supplier of Electrical and Electronic Components

*Click to view similar products for [RF Adapters - Between Series](#) category:*

*Click to view products by [Amphenol](#) manufacturer:*

Other Similar products are found below :

[5945-9503-000](#) [MCX/F-SMA/M](#) [R192417010](#) [ADBJ20-E1-BJ379](#) [ADM2](#) [ADPL75-A1-PL75](#) [242191](#) [9317505](#) [29-3835P](#) [AD130](#) [ADBJ20-E1-PL74](#) [ADBJ77-A1PL3155](#) [ADBJ77-E1-UPL20](#) [ADRMF370](#) [242190](#) [242215](#) [242228](#) [R125680000W](#) [R192430000](#) [UAD95](#) [1057367-1](#) [8311505](#) [R114704000](#) [R451034500](#) [R451030500](#) [R451543000](#) [HDVDPN](#) [ADBJ20-K1-PL20](#) [R451570000](#) [R192419000](#) [R451034000](#) [J9](#) [J3WE-5](#) [R451032500](#) [242201RP](#) [17K132-K00S5](#) [03K719-S22S3](#) [AD-RSMAF-RTNC](#) [53K156-K00N5](#) [53K160-KIMN1](#) [02K119-K00E3](#) [29S132-K01N5](#) [53S156-K00N5](#) [02S119-S00E3](#) [28K132-K00N5](#) [02S109-K00S3](#) [27-8200TP](#) [242235](#) [ADBJ20-E1-BJ89](#) [ADP-SMAF-MMCXM](#)