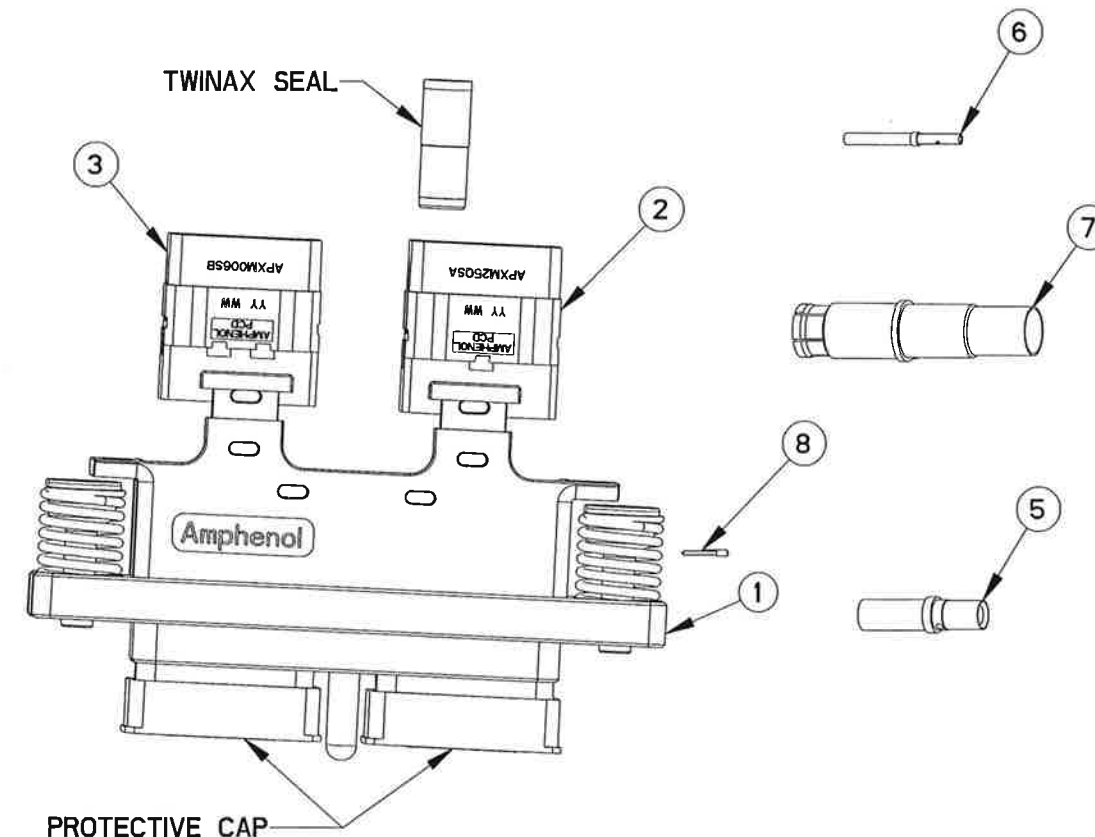
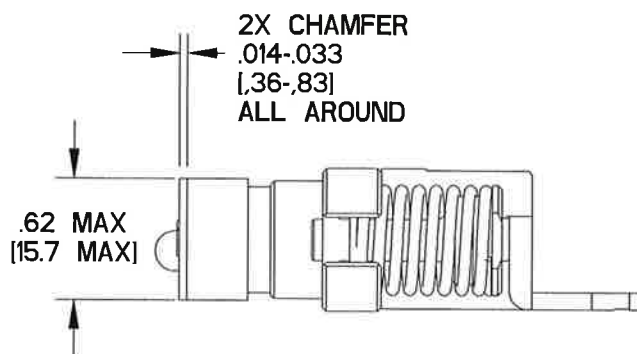
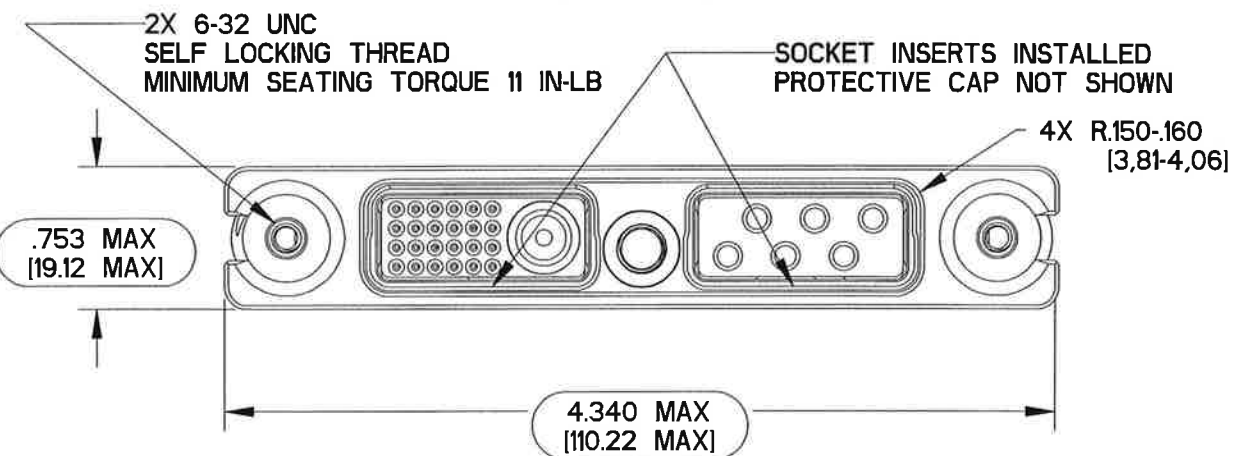
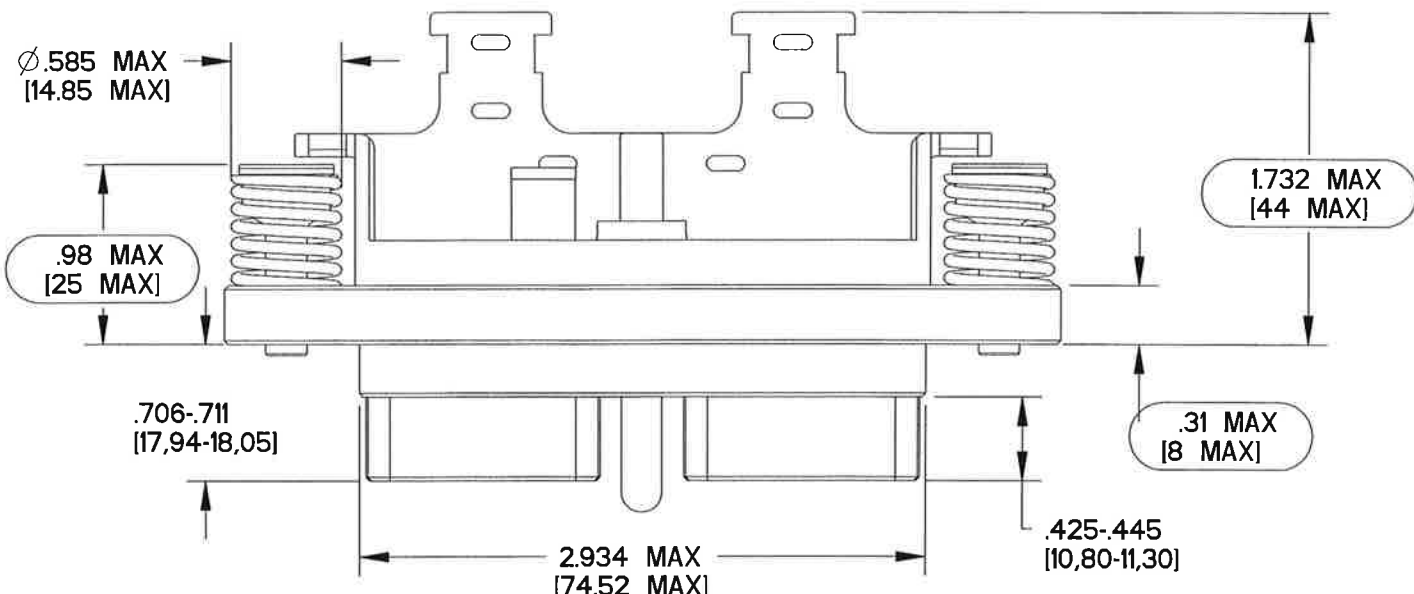


APX2A801

REV	ECN	DESCRIPTION	APP'D
C	7375	RELEASE	J.T. 10/10/14
D	7531	ADDED NOTE 4	J.T. 5/22/15
E	7611	ADDED APX2A801S5 KIT	J.T. 10/22/15
F	7735	UPDATED CNA032404 SEALING PLUG	J.T.4/12/16
G	7945	ADDED APX2A801CM831	WL 2/27/17
H	8042	ADDED APX2A801CM832	WL 6/27/17
J	8330	ADDED APX2A801CM878	MD 9/7/18
K	8617	REMOVE DATE CODE CLOCK	MD 24 July 2019



SCALE 2:5

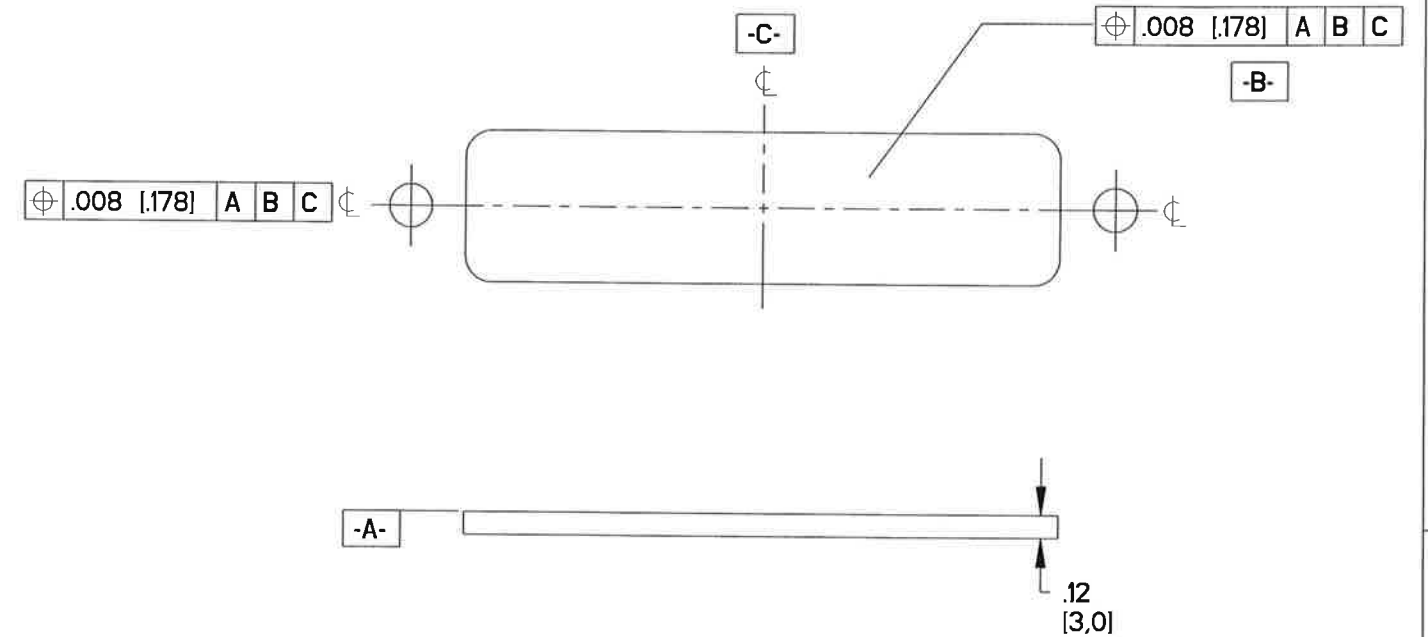
- NOTES:
 1. MATERIALS: SEE TABLE SHEET 2
 2. CABLE ACCOMMODATIONS SHEET 2
 3. REFERENCE ARINC SPECIFICATION 810
 4. MATES WITH APX2B801 AND APX2B802

DIMENSIONS	TOLERANCES	PROJECTION	TITLE		
ANSI Y14.5M UNITS: INCHES Pro/E FILE	.XX ±0.13 .XXX ±0.005 ANGLES ±1.0°		Amphenol Pcd		
ORIGINAL NOT FOR CUSTOMER DISTRIBUTION	THIS DOCUMENT CONTAINS PROPRIETARY INFORMATION WHICH IS THE CONFIDENTIAL PROPERTY OF AMPHENOL PCD INC., BEVERLY, MA	ENGR D. FURMAN 13-JAN-10	APEX PLUG KIT		APP'D <i>[Signature]</i> 24 July 2019
		CHKD <i>[Signature]</i> 7/17/19	SIZE B	DWG NO. APX2A801	REV K
			CODE: 58982	SCALE: 1:1	SHEET 1 OF 3

MATERIALS

ITEM	PART	MATERIAL
ITEM 1 PLUG SHELL ASSEMBLY	STRAIN RELIEF	PEI THERMOPLASTIC 40% CARBON FIBER
	RETENTION NUT	STAINLESS STEEL PER AISI 316, PASSIVATED
	MALE FASTENER BODY	STAINLESS STEEL PER AISI 316, PASSIVATED
	INSERT RETENTION CLIP	COPPER ALLOY PER ASTM B194
	FLOAT-MOUNTED EYELET	STAINLESS STEEL PER AISI 316, PASSIVATED
	FLOAT-MOUNTED SPRING	STAINLESS STEEL PER AISI 302, PASSIVATED
	SHELL	ALUMINUM ALLOY 6061T651 PER AMS-QQ-A-250/11 ELECTROLESS NICKEL PER MIL-C-26074 .001 INCH MIN
ITEM 2 AND 3 25 SOCKET INSERT WITH TWINAX SEAL 6 SOCKET INSERT	HOUSING	POLYETHERIMIDE THERMOPLASTIC PER ASTM D5205
	RETENTION CLIPS	PEEK THERMOPLASTIC PER MIL-P-46183
	GROMMET	SILICONE ELASTOMER PER ASTM-D-2000
	TWINAX SEAL HOUSING	POLYETHERIMIDE THERMOPLASTIC PER ASTM D5205
	TWINAX SEAL GROMMET	SILICONE ELASTOMER PER A-A-59588A CLASS 3B
ITEM 4 BLANK INSERT	INSERT	POLYETHERIMIDE THERMOPLASTIC PER ASTM D5205
ITEM 5 AND 6 SOCKET CONTACT SIZE 12 SOCKET CONTACT SIZE 22	BODY	COPPER ALLOY PER ASTM B196, GOLD PLATE PER PER AMS2422, 50 MICROINCHES MIN OVER NICKEL PLATE 40 TO 200 MICROINCHES PER QQ-N-290
	SLEEVE	STAINLESS STEEL PER AISI 305 PER ASTM A 580, PASSIVATED
ITEM 7 SOCKET TWINAX CONTACT SIZE 8	OUTER AND INNER CONTACTS	COPPER ALLOY PER ASTM B196, GOLD PLATED PER MIL-G-45204 50 MICROINCH MIN. OVER NICKEL PLATE PER QQ-N-290 50 MICROINCH MIN.
	SHIELD FERRULE	BRASS PER ASTM B453, GOLD PLATED PER MIL-G-45204 50 MICROINCH MIN. OVER NICKEL PLATE PER QQ-N-290 50 MICROINCH MIN.
	FRONT INSULATOR AND SPACER INSULATOR:	TFE THERMOPLASTIC PER AMS 3651
ITEM 8 SEALING PLUG	PLUG	PTFE THERMOPLASTIC PER ASTM-D1710

RECOMMENDED PLUG PANEL CUT OUT DIMENSIONS



CABLE ACCOMODATIONS

CONTACT SIZE	WIRE SIZE (AWG)	CRIMPING TOOL	POSITIONER	INSTALLING TOOL	REMOVAL TOOL
22	26	M22520/2-01	M22520/2-23	M81969/14-01	M81969/14-01
	24				
	22				
12	16	M22520/1-01	M22520/1-02	M81969/14-04	M81969/14-04
	14				
	12				
8	24	CENTER CONTACTS: M22520/2-01 OUTER BODY: M22520/5-01	CENTER CONTACTS: DANIELS K709 OUTER BODY: M22520/5-45	M81969/14-12	M81969/14-12

SIZE B	DWG NO. APX2A801	REV K
CODE: 58982	SCALE: 1:1	SHEET 2 OF 3

APX2A801

APX2A801

AMPHENOL PCD KIT P/N											
APX2A801K	APX2A801C	APX2A801G	APX2A801S1	APX2A801S2	APX2A801S2K	APX2A801S3	APX2A801S4	APX2A801S5	APX2A801CM831	APX2A801CM878	

ITEM	APCD P/N	DESCRIPTION	QTY / ASSY	QTY / ASSY	QTY / ASSY	QTY / ASSY	QTY / ASSY	QTY / ASSY	QTY / ASSY	QTY / ASSY	QTY / ASSY	QTY / ASSY	QTY / ASSY
1	APX2BL00N	PLUG SHELL ASSEMBLY WITH PROTECTIVE CAP	1	1	1	1	1	1	1	1	1	1	1
2	APXM25QSA	25 SOCKET INSERT POLARIZATION A WITH TWINAX SEAL	1	1	1	1	0	0	1	1	1	1	1
3	APXM006SB	6 SOCKET INSERT POLARIZATION B	1	1	1	1	1	1	1	1	1	1	1
4	APXIN0001	BLANK INSERT	0	0	0	0	1	1	0	0	0	0	0
5	CNS812100	APEX SOCKET CONTACT SIZE 12	0	6	6	6	6	0	6	6	6	6	6
6	CNS822100	APEX SOCKET CONTACT SIZE 22	0	15	15	0	0	0	24	24	24	24	24
7	CNS882100	APEX SOCKET TWINAX CONTACT SIZE 8	0	1	0	0	0	0	0	1	0	1	0
8	CNA032404	SEALING PLUG SIZE 22 (BLACK)	0	9	9	0	0	0	0	0	0	24	24
9	CNS882130	APEX SOCKET TWINAX CONTACT SIZE 8	0	0	0	0	0	0	0	0	1	0	0

X-ON Electronics

Largest Supplier of Electrical and Electronic Components

Click to view similar products for [Heavy Duty Power Connectors](#) category:

Click to view products by [Amphenol](#) manufacturer:

Other Similar products are found below :

[647757-1](#) [6643411-1](#) [6646058-2](#) [6646137-1](#) [6646138-1](#) [6646479-1](#) [6646608-1](#) [6646786-1](#) [6646940-1](#) [6651091-1](#) [6651525-1](#) [6651529-1](#)
[6651788-1](#) [696475-1](#) [73000005059](#) [73000005642](#) [765-15-0080A](#) [765-16-0080B](#) [829992-1](#) [902-77-02113](#) [129-1J](#) [AN0024023](#) [E6374G1](#)
[e6389g2](#) [157-43GW8](#) [MS3117-14AC](#) [1643543-1](#) [1650540-1](#) [1651811-2](#) [1766260-1](#) [1766282-1](#) [1766966-1](#) [1791340000](#) [NLDFT-3-BL-L-](#)
[S120-M40A](#) [NLDFT-N-W-L-C240-M40B](#) [NLS-2-R-C240-M40B](#) [NLS-N-W-C240-M40B](#) [NPS-3-BL-T6](#) [1986615-1](#) [2-1589900-8](#) [2199314-1](#)
[KA8102](#) [9300480317](#) [SBS50BRN#6](#) [29131](#) [29652](#) [1646905-1](#) [1648320-1](#) [1648582-1](#) [1650195-2](#)