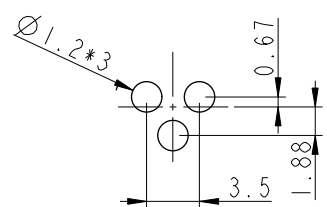
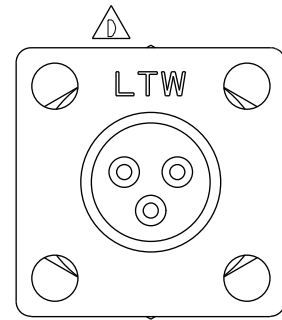
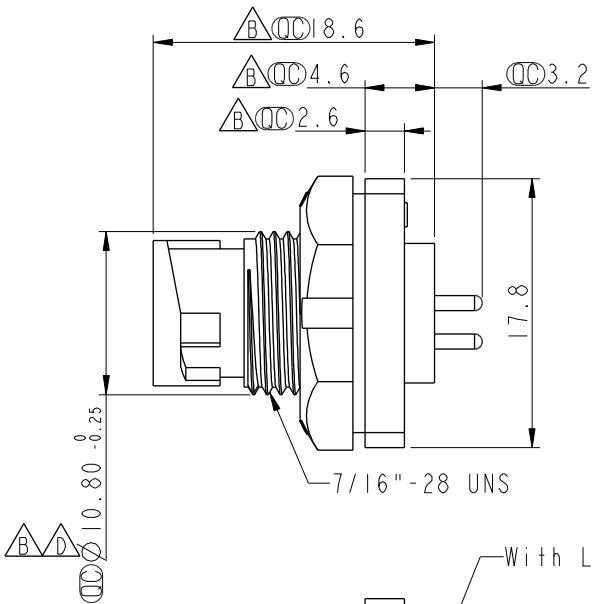
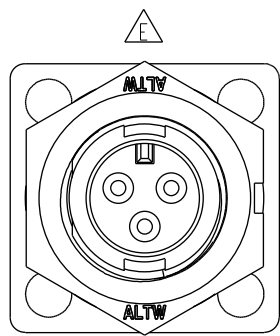
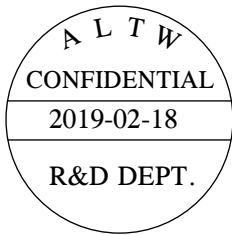
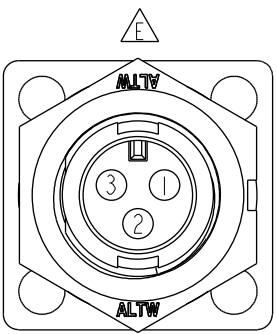


THIS DOCUMENT IS SUBJECT TO CHANGE WITHOUT NOTICE. IT IS CONFIDENTIAL AND A PROPERTY OF Amphenol LTW. DISCLOSURE TO THIRD PARTY HAS TO BE AUTHORIZED BY Amphenol LTW.

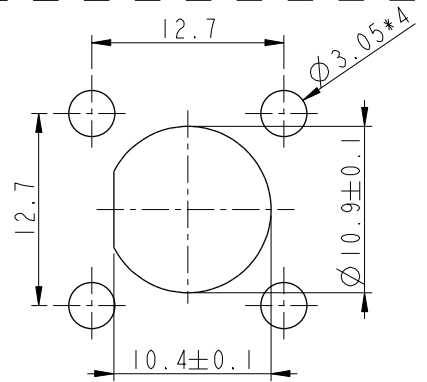
REV.	ECN NO.	DATE	SIGN	DESCRIPTION
D	LEN-9C0090	2009/12/15	Vicky	REF. TO ECR/N. NOTE.
E	LEN1741232	2017/04/13	Ruru	Change Logo
F	CI90268	2019/02/18	Ruru	Modify Note



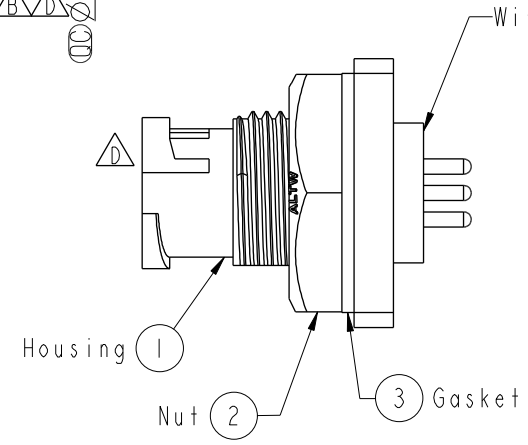
PCB Layout



Pin Assignments Front View



Recommended Panel Cut-Out



Note:

- * Important Dimension.
- * Waterproof Rate: IP67, Unmated
- * Housing: Thermoplastic, Black
- * Pin: Copper Alloy, Gold Plated
- * Shield: Metal, Nickel Plated
- * Nut: Thermoplastic, Black
- * Gasket: Rubber, Black
- * Use with waterproof cap or dust cap
Panel Thickness Max. 2.5mm.
- * Use without waterproof cap or dust cap
Panel Thickness Max. 3.5mm.
- * Gasket and Nut are packed separately in PE bags.

UNIT:mm TOLERANCE .X ±0.25 .XX ±0.1 .XXX ±0.05 ANGLES ±1°	TITLE Mini Panel Lock 3Pin M Conn. M Pin			ITEM NO ASD-03PMMP-LS7001		DRAWN BY Ruru		DATE 2019-02-18		
	SCALE 2:1		SIZE A4		DWG NO ASD-03PMMP-LS7001		CHECKED BY Rita		DATE 2019-02-18	
	REV. F		WC-REV. A.2		CUSTOMER ALTW		APPROVED BY Max		DATE 2019-02-18	
	SHEET 1 OF 1			QC: Inspection item			8 W10814-03-01A2			

Amphenol LTW
安費諾亮泰企業股份有限公司

X-ON Electronics

Largest Supplier of Electrical and Electronic Components

Click to view similar products for [Standard Circular Connector](#) category:

Click to view products by [Amphenol](#) manufacturer:

Other Similar products are found below :

[5M2530B10P](#) [600259N006](#) [600273N007](#) [6134-336-13149](#) [6134-337-11149](#) [6134-337-2390](#) [6134-341-17149](#) [6280-4SG-516](#) [6280-7SG-3DC](#)
[6290](#) [6291A](#) [66200A-10](#) [680-SMG](#) [681-PMG](#) [CXS3102A14S2P](#) [CXS3102A181S](#) [7251-6SG-300](#) [7271-6SG-300](#) [7282-3PG-300-CH3](#) [75-](#)
[474014-05S](#) [75-474618-01S](#) [75-474618-04P](#) [75-474618-04S](#) [799539-000](#) [MI8-SE](#) [805-005-07NF11-19PC](#) [805-005-07NF15-7PA](#) [8280-4PG-](#)
[516](#) [8280-7PG-519](#) [8282-5PG-519](#) [836783-1](#) [MP-4102-25P-C](#) [862256-1](#) [864019-2](#) [866857-1](#) [867865-1](#) [PT01SP-14-18P](#) [PT08P-14-5S](#)
[PTSF06SE-14-12S](#) [120-1833-000](#) [QCM019PC2DC012B](#) [1-2069279-1](#) [121583-0217](#) [121667-0020](#) [129591AU](#) [1000B BULK](#) [RD10A16-19-](#)
[P6CS051/1](#) [RD10A20-31-P8CS051/1](#) [RD16A14-12-S6CS051/2](#) [1301240290](#) [1301240347](#)