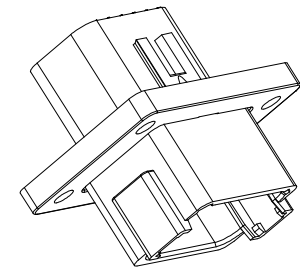
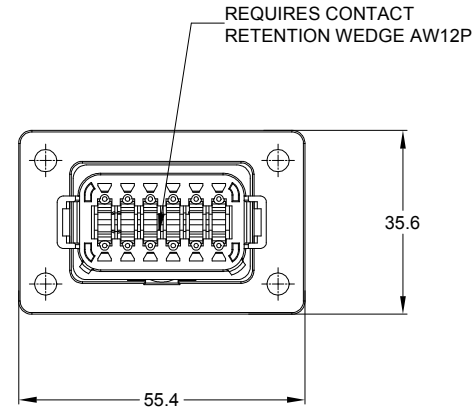
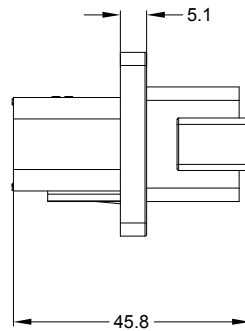
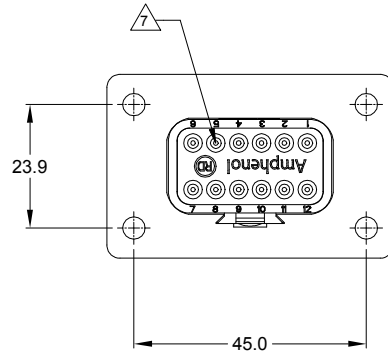
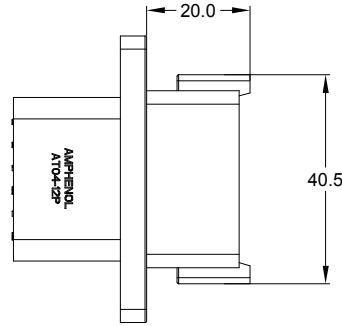


REVISIONS					
REV	ECO	DESCRIPTION	DATE	BY	APPR
A1	-	RELEASE NUMBER	30/NOV/18	BROOK	TOMMY



NOTES: UNLESS OTHERWISE SPECIFIED

1. SEE SHEET 2 FOR KEY ARRANGEMENTS AND COLORS.

2. MATERIAL:  
HOUSING: THERMOPLASTIC  
SEAL: SILICONE RUBBER

3. MODIFICATIONS: FLANGE, REDUCED DIA. WIRE SEAL

4. SPECIFICATIONS:  
4.1 CURRENT RATING: 13 AMPS  
4.2 OPERATING TEMPERATURE: -55°C TO +125°C.  
4.3 DIELECTRIC WITHSTANDING VOLTAGE: LESS THAN 2 MILLIAMPS CURRENT LEAKAGE @ 1500 VOLTS AC.  
4.4 INSULATION RESISTANCE: 1000 MEGOHMS MIN @ 25°C.  
4.5 MOISTURE RESISTANCE: IP67 ( MATED CONDITION )  
4.6 MATING CYCLE DURABILITY: 100 CYCLES  
4.7 RoHS COMPLIANT

5. MATING PART: AT06-12SX\* PLUG.  
( X=A,B,C,D KEYS, \* = MODIFICATIONS AND COLORS )

6. ALL DIMENSIONS ARE FOR REFERENCE USE ONLY.

7. CONTACT SIZE AND REAR SEAL WIRE RANGE:

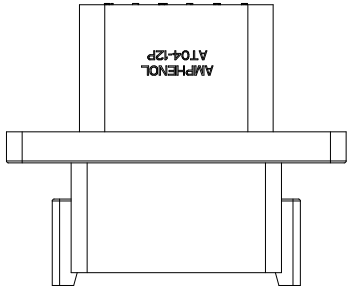
CONTACT SIZE	MIN. INSUL O.D.	MAX. INSUL O.D.	TYPICAL WIRE RANGE
16	1.35 mm (.053 in)	3.05 mm (.120 in)	16 - 20 AWG

SEE SHEET 2		DESCRIPTION		ITEM
PART NUMBER		DESCRIPTION		ITEM
QUANTITY	MATERIALS LIST			
UNLESS OTHERWISE SPECIFIED: 1) All dimensions are in metric (mm). 2) Tolerances are as follows: 1 PL DEC ±0.30   Fractions ±1/64 2 PL DEC ±0.15   Angles ±1° 3 PL DEC ±0.08		SIGNATURES		DATE
DRAWN: BROOK		30/NOV/18		
CHECKED: ORION		30/NOV/18		
ENGINEER:				
APPROVAL: TOMMY		30/NOV/18		
MATERIAL SPECIFICATIONS:		CUSTOMER:		
PROCESS SPECIFICATIONS:		THIS DRAWING IS SUPPLIED FOR INFORMATION ONLY. DESIGN FEATURES, SPECIFICATIONS AND PERFORMANCE DATA SHOWN HEREON ARE THE PROPERTY OF THE AMPHENOL CORPORATION. NO RIGHTS OF REPRODUCTION ARE IMPLIED. ALL DIMENSIONS ARE SUBJECT TO NORMAL MANUFACTURING VARIATIONS.		
NEXT ASSY:		SCALE: NONE		
		SIZE B C-		REVISION A1
		DWG NO: AT04-12PX-CL03		
		SHEET 1 OF 3		

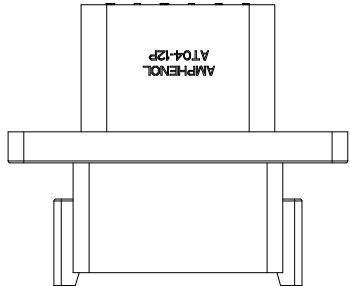
TITLE: 12P RECEPTACLE, FLANGE MOUNT, RD  
DWG NO.: AT04-12PX-CL03  
REV: A1  
SH: 1  
OF: 3

REVISIONS					
REV	ECO	DESCRIPTION	DATE	BY	APPR
A1	-	RELEASE NUMBER	30/NOV/18	BROOK	TOMMY

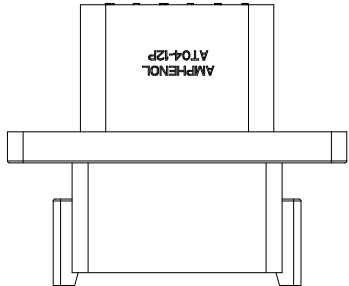
KEY A CONFIGURATION  
STANDARD COLOR:GREY



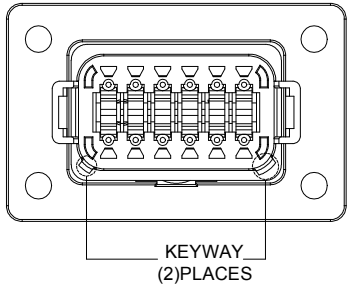
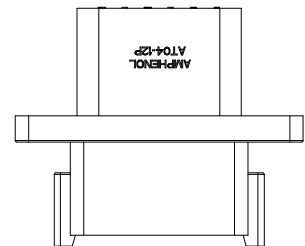
KEY B CONFIGURATION  
STANDARD COLOR:BLACK



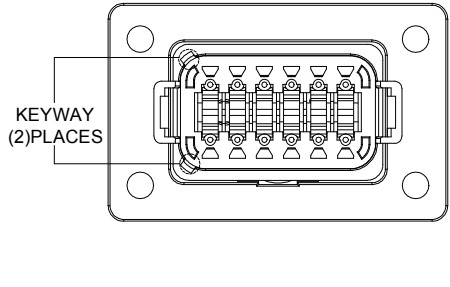
KEY C CONFIGURATION  
STANDARD COLOR:GREEN



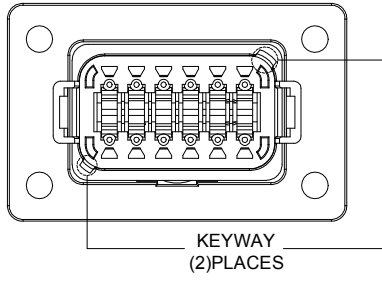
KEY D CONFIGURATION  
STANDARD COLOR:BROWN



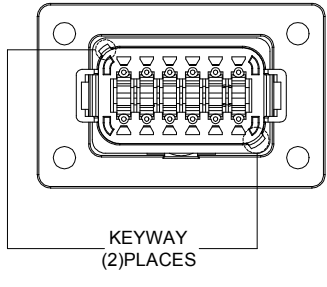
KEY-A CONFIGURATION	
COLOR	PART NUMBER
GREY	AT04-12PA-CL03



KEY-B CONFIGURATION	
COLOR	PART NUMBER
BLACK	AT04-12PB-CL03



KEY-C CONFIGURATION	
COLOR	PART NUMBER
GREEN	AT04-12PC-CL03



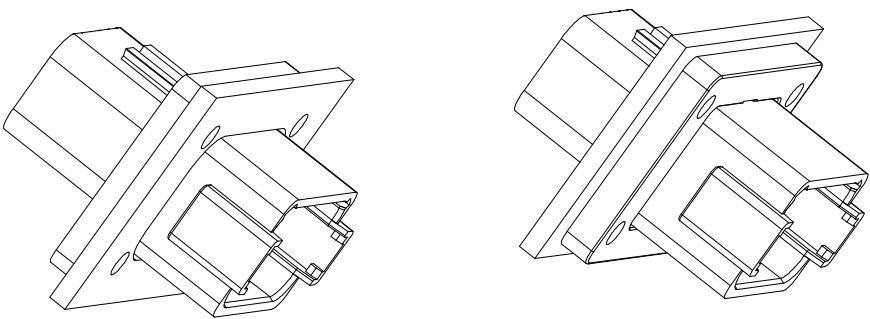
KEY-D CONFIGURATION	
COLOR	PART NUMBER
BROWN	AT04-12PD-CL03

SEE SHEET 2		DESCRIPTION		ITEM																																									
PART NUMBER		DESCRIPTION																																											
<table border="1"> <thead> <tr> <th>QUANTITY</th> <th colspan="4">MATERIALS LIST</th> </tr> </thead> <tbody> <tr> <td rowspan="4"> <b>UNLESS OTHERWISE SPECIFIED</b>            1) All dimensions are in metric(mm).            2) Tolerances are as follows:            1 PL DEC ±0.30    Fracciones ±1/64            2 PL DEC ±0.15    Angles ±1°            3 PL DEC ±0.08            3) Note reference =  </td> <td><b>SIGNATURES</b></td> <td><b>DATE</b></td> <td colspan="2" rowspan="4"> <div style="text-align: center;"> <h1>Amphenol</h1> <p>Sine Systems - www.amphenol-sine.com                44724 Morley Drive                Clinton Township, MI 48036</p> </div> </td> </tr> <tr> <td>DRAWN: <b>BROOK</b></td> <td>30/NOV/18</td> </tr> <tr> <td>CHECKED: <b>ORION</b></td> <td>30/NOV/18</td> </tr> <tr> <td>APPROVAL: <b>TOMMY</b></td> <td>30/NOV/18</td> </tr> <tr> <td><b>MATERIAL SPECIFICATIONS:</b></td> <td colspan="2"><b>CUSTOMER:</b></td> <td colspan="2">12P RECEPTACLE, FLANGE MOUNT, RD</td> </tr> <tr> <td><b>PROCESS SPECIFICATIONS:</b></td> <td colspan="4">THIS DRAWING IS SUPPLIED FOR INFORMATION ONLY. DESIGN FEATURES, SPECIFICATIONS AND PERFORMANCE DATA SHOWN HEREON ARE THE PROPERTY OF THE AMPHENOL CORPORATION. NO RIGHTS OF REPRODUCTION ARE IMPLIED. ALL DIMENSIONS ARE SUBJECT TO NORMAL MANUFACTURING VARIATIONS.</td> </tr> <tr> <td><b>NEXT ASSY:</b></td> <td><b>SIZE</b></td> <td><b>TYPE</b></td> <td><b>DWG NO.</b></td> <td><b>REVISION</b></td> </tr> <tr> <td></td> <td><b>B</b></td> <td><b>C-</b></td> <td><b>AT04-12PX-CL03</b></td> <td><b>A1</b></td> </tr> <tr> <td></td> <td><b>SCALE</b></td> <td><b>NONE</b></td> <td colspan="2">SHEET 2 OF 3</td> </tr> </tbody> </table>					QUANTITY	MATERIALS LIST				<b>UNLESS OTHERWISE SPECIFIED</b> 1) All dimensions are in metric(mm). 2) Tolerances are as follows: 1 PL DEC ±0.30    Fracciones ±1/64 2 PL DEC ±0.15    Angles ±1° 3 PL DEC ±0.08 3) Note reference =	<b>SIGNATURES</b>	<b>DATE</b>	<div style="text-align: center;"> <h1>Amphenol</h1> <p>Sine Systems - www.amphenol-sine.com                44724 Morley Drive                Clinton Township, MI 48036</p> </div>		DRAWN: <b>BROOK</b>	30/NOV/18	CHECKED: <b>ORION</b>	30/NOV/18	APPROVAL: <b>TOMMY</b>	30/NOV/18	<b>MATERIAL SPECIFICATIONS:</b>	<b>CUSTOMER:</b>		12P RECEPTACLE, FLANGE MOUNT, RD		<b>PROCESS SPECIFICATIONS:</b>	THIS DRAWING IS SUPPLIED FOR INFORMATION ONLY. DESIGN FEATURES, SPECIFICATIONS AND PERFORMANCE DATA SHOWN HEREON ARE THE PROPERTY OF THE AMPHENOL CORPORATION. NO RIGHTS OF REPRODUCTION ARE IMPLIED. ALL DIMENSIONS ARE SUBJECT TO NORMAL MANUFACTURING VARIATIONS.				<b>NEXT ASSY:</b>	<b>SIZE</b>	<b>TYPE</b>	<b>DWG NO.</b>	<b>REVISION</b>		<b>B</b>	<b>C-</b>	<b>AT04-12PX-CL03</b>	<b>A1</b>		<b>SCALE</b>	<b>NONE</b>	SHEET 2 OF 3	
QUANTITY	MATERIALS LIST																																												
<b>UNLESS OTHERWISE SPECIFIED</b> 1) All dimensions are in metric(mm). 2) Tolerances are as follows: 1 PL DEC ±0.30    Fracciones ±1/64 2 PL DEC ±0.15    Angles ±1° 3 PL DEC ±0.08 3) Note reference =	<b>SIGNATURES</b>	<b>DATE</b>	<div style="text-align: center;"> <h1>Amphenol</h1> <p>Sine Systems - www.amphenol-sine.com                44724 Morley Drive                Clinton Township, MI 48036</p> </div>																																										
	DRAWN: <b>BROOK</b>	30/NOV/18																																											
	CHECKED: <b>ORION</b>	30/NOV/18																																											
	APPROVAL: <b>TOMMY</b>	30/NOV/18																																											
<b>MATERIAL SPECIFICATIONS:</b>	<b>CUSTOMER:</b>		12P RECEPTACLE, FLANGE MOUNT, RD																																										
<b>PROCESS SPECIFICATIONS:</b>	THIS DRAWING IS SUPPLIED FOR INFORMATION ONLY. DESIGN FEATURES, SPECIFICATIONS AND PERFORMANCE DATA SHOWN HEREON ARE THE PROPERTY OF THE AMPHENOL CORPORATION. NO RIGHTS OF REPRODUCTION ARE IMPLIED. ALL DIMENSIONS ARE SUBJECT TO NORMAL MANUFACTURING VARIATIONS.																																												
<b>NEXT ASSY:</b>	<b>SIZE</b>	<b>TYPE</b>	<b>DWG NO.</b>	<b>REVISION</b>																																									
	<b>B</b>	<b>C-</b>	<b>AT04-12PX-CL03</b>	<b>A1</b>																																									
	<b>SCALE</b>	<b>NONE</b>	SHEET 2 OF 3																																										

TITLE: 12P RECEPTACLE, FLANGE MOUNT, RD  
 DWG NO.: AT04-12PX-CL03  
 REV: A1  
 SH: 2  
 OF: 3

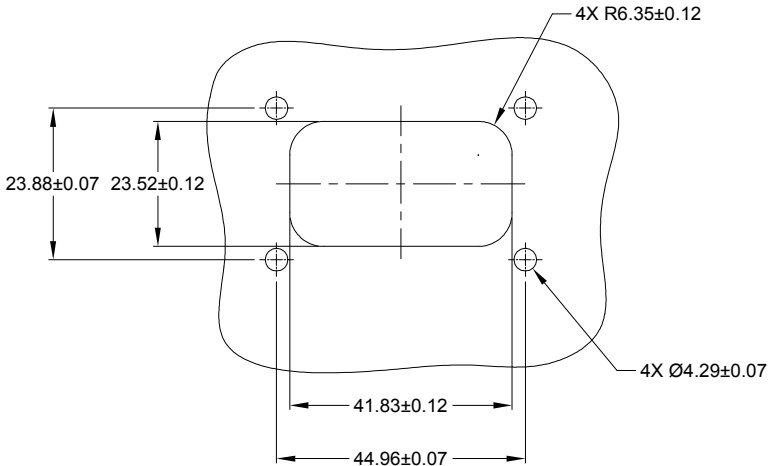
REVISIONS					
REV	ECO	DESCRIPTION	DATE	BY	APPR
A1	-	RELEASE NUMBER	30/NOV/18	BROOK	TOMMY

FOR REFERENCE ONLY



FRONT MOUNT

REAR MOUNT



RECOMMENDED CUTOUT  
FRONT AND REAR MOUNT

TITLE: 12P RECEPTACLE, FLANGE MOUNT, RD  
DWG NO.: AT04-12PX-CL03  
REV/A1  
SH: 3  
OF: 3

SEE SHEET 2		DESCRIPTION		ITEM
PART NUMBER				
QUANTITY		<b>MATERIALS LIST</b>		
<p><b>UNLESS OTHERWISE SPECIFIED</b></p> <p>1) All dimensions are in metric (mm).</p> <p>2) Tolerances are as follows:</p> <p>1 PL DEC ±0.30 2 PL DEC ±0.15 3 PL DEC ±0.08</p> <p>Fractions ±1/64 Angles ±1°</p> <p>3) Note reference = </p>		<p><b>SIGNATURES</b></p> <p>DRAWN: BROOK CHECKED: ORION ENGINEER: APPROVAL: TOMMY</p> <p><b>DATE</b></p> <p>30/NOV/18 30/NOV/18 30/NOV/18</p>	<p><b>Amphenol</b></p> <p>Sine Systems - www.amphenol-sine.com 44724 Morley Drive Clinton Township, MI 48036</p>	
MATERIAL SPECIFICATIONS:		CUSTOMER:		
PROCESS SPECIFICATIONS:		<p>THIS DRAWING IS SUPPLIED FOR INFORMATION ONLY. DESIGN FEATURES, SPECIFICATIONS AND PERFORMANCE DATA SHOWN HEREON ARE THE PROPERTY OF THE AMPHENOL CORPORATION. NO RIGHTS OF REPRODUCTION ARE IMPLIED. ALL DIMENSIONS ARE SUBJECT TO NORMAL MANUFACTURING VARIATIONS.</p>		
NEXT ASSY:		<p>SIZE: <b>B C-</b></p> <p>SCALE: NONE</p>	<p>DWG NO: <b>AT04-12PX-CL03</b></p>	<p>REVISION: <b>A1</b></p> <p>SHEET 3 OF 3</p>

## X-ON Electronics

Largest Supplier of Electrical and Electronic Components

*Click to view similar products for [Automotive Connectors](#) category:*

*Click to view products by [Amphenol](#) manufacturer:*

Other Similar products are found below :

[003-018-000](#) [60403001](#) [60993906-B](#) [M902-2131](#) [M902-2161](#) [72.330.1035.1](#) [73.353.4028.0](#) [F119300-B](#) [F166900](#) [F258300-B](#) [F358300-B](#)  
[F407400](#) [F444110](#) [F487000](#) [F509500B-B](#) [827153-1](#) [8N1515-32-24P](#) [9-1326729-8](#) [925474-1](#) [928905-1](#) [964562-4](#) [968782-1](#) [GT17SA-8DS-](#)  
[HU](#) [98891-1012](#) [98947-1016](#) [12004475-L](#) [12010290](#) [12010309-B](#) [12015454](#) [12020219-B](#) [12020308](#) [12041318-B](#) [12052225-L](#) [12052466](#)  
[12059125](#) [12064869](#) [12004327-B](#) [12010503-B](#) [12015308](#) [12015384](#) [12015909](#) [1-21030-1](#) [12041254](#) [12041318](#) [12047946-B](#) [12047957](#)  
[12047957-L](#) [12059473](#) [12066261](#) [12110546](#)