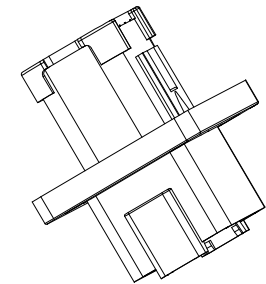
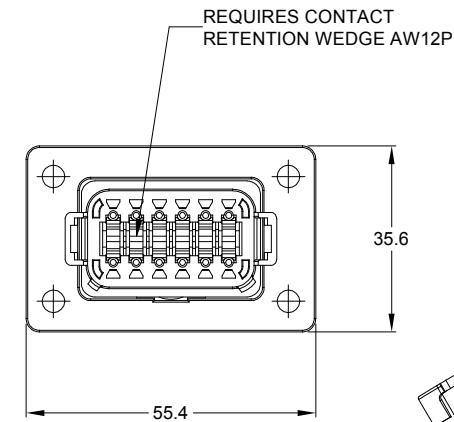
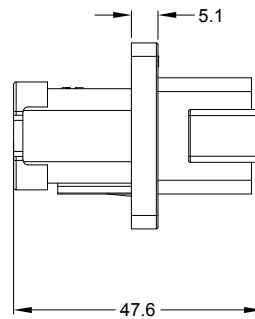
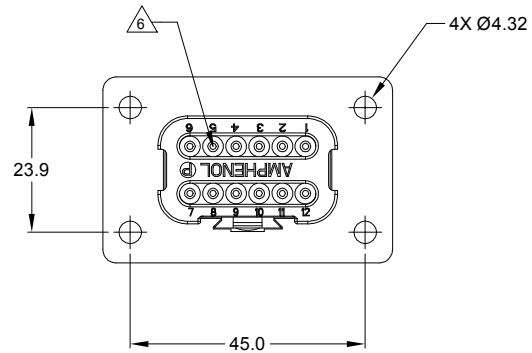
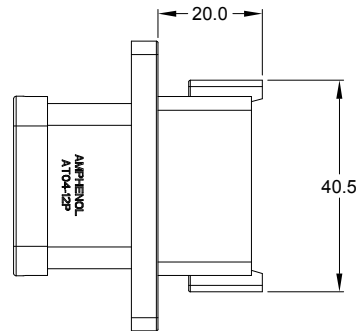


REVISIONS					
REV	ECO	DESCRIPTION	DATE	BY	APPR
A1	-	RELEASE NUMBER	30/NOV/18	ROOKIE	TOMMY



NOTES: UNLESS OTHERWISE SPECIFIED

1. SEE SHEET 2 FOR KEY ARRANGEMENTS AND COLORS.

2. MATERIAL:  
HOUSING: THERMOPLASTIC  
SEAL: SILICONE RUBBER

3. MODIFICATIONS: FLANGE, END CAP

4. SPECIFICATIONS:  
4.1 CURRENT RATING: 13 AMPS  
4.2 OPERATING TEMPERATURE: -55°C TO +125°C.  
4.3 DIELECTRIC WITHSTANDING VOLTAGE: LESS THAN 2 MILLIAMPS CURRENT LEAKAGE @ 1500 VOLTS AC.  
4.4 INSULATION RESISTANCE: 1000 MEGOHMS MIN @ 25°C.  
4.5 MOISTURE RESISTANCE: IP67 ( MATED CONDITION )  
4.6 MATING CYCLE DURABILITY: 100 CYCLES  
4.7 RoHS COMPLIANT

5. MATING PART: AT06-12SX\* PLUG.  
( X=A,B,C,D KEYS, \* = MODIFICATIONS AND COLORS )

6. ALL DIMENSIONS ARE FOR REFERENCE USE ONLY.

7. CONTACT SIZE AND REAR SEAL WIRE RANGE:

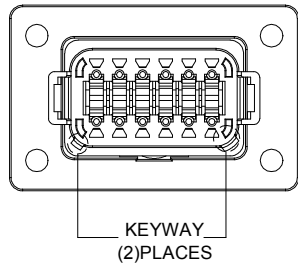
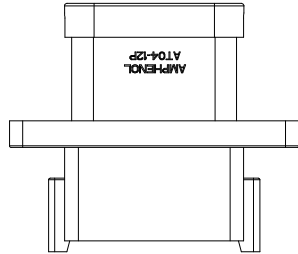
CONTACT SIZE	MIN. INSUL O.D.	MAX. INSUL O.D.	TYPICAL WIRE RANGE
16	2.24 mm (.088 in)	3.68 mm (.145 in)	14 - 20 AWG

QUANTITY	SEE SHEET 2 PART NUMBER	DESCRIPTION	ITEM
		12P RECEPTACLE, FLANGE MOUNT, END CAP	
<b>MATERIALS LIST</b>			
<b>UNLESS OTHERWISE SPECIFIED:</b> 1) All dimensions are in metric(mm). 2) Tolerances are as follows: 1 PL DEC ±0.30 2 PL DEC ±0.15 3 PL DEC ±0.08 3) Note reference =		<b>SIGNATURES</b> DRAWN: ROOKIE CHECKED: ORION ENGINEER: APPROVAL: TOMMY	<b>DATE</b> 30/NOV/18 30/NOV/18 30/NOV/18
<b>MATERIAL SPECIFICATIONS:</b>  <b>PROCESS SPECIFICATIONS:</b>  <b>NEXT ASSY:</b>		<b>Amphenol</b> Sine Systems - www.amphenol-sine.com 44724 Morley Drive Clinton Township, MI 48036  12P RECEPTACLE, FLANGE MOUNT, END CAP	
THIS DRAWING IS SUPPLIED FOR INFORMATION ONLY. DESIGN FEATURES, SPECIFICATIONS AND PERFORMANCE DATA SHOWN HEREON ARE THE PROPERTY OF THE AMPHENOL CORPORATION. NO RIGHTS OF REPRODUCTION ARE IMPLIED. ALL DIMENSIONS ARE SUBJECT TO NORMAL MANUFACTURING VARIATIONS.		<b>SIZE</b> <b>B C-</b>	<b>DWG NO:</b> <b>AT04-12PX-LE07</b> <b>SCALE:</b> NONE
		<b>REVISION</b> <b>A1</b>	<b>SHEET</b> 1 <b>OF</b> 3

TITLE: 12P RECEPTACLE, FLANGE MOUNT, END CAP  
DWG NO: AT04-12PX-LE07  
REV: A1  
SH: 1  
OF: 3

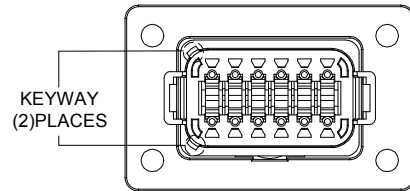
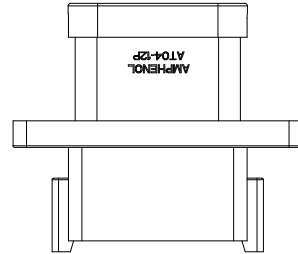
REVISIONS					
REV	ECO	DESCRIPTION	DATE	BY	APPR
A1	-	RELEASE NUMBER	30/NOV/18	ROOKIE	TOMMY

KEY A CONFIGURATION  
STANDARD COLOR:GREY



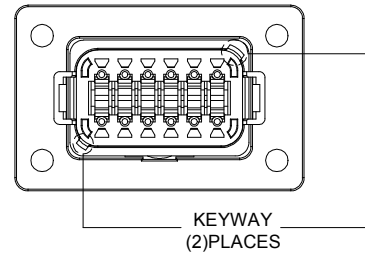
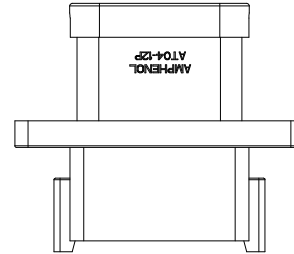
KEY-A CONFIGURATION	
COLOR	PART NUMBER
GREY	AT04-12PA-LE07

KEY B CONFIGURATION  
STANDARD COLOR:BLACK



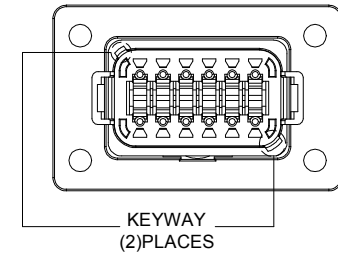
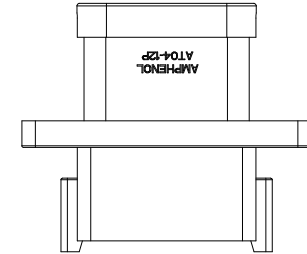
KEY-B CONFIGURATION	
COLOR	PART NUMBER
BLACK	AT04-12PB-LE07

KEY C CONFIGURATION  
STANDARD COLOR:GREEN



KEY-C CONFIGURATION	
COLOR	PART NUMBER
GREEN	AT04-12PC-LE07

KEY D CONFIGURATION  
STANDARD COLOR:BROWN



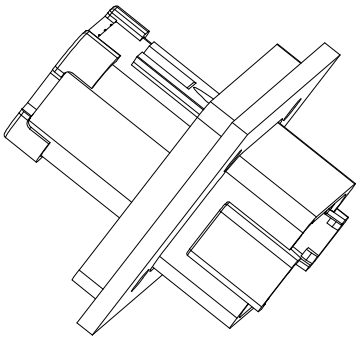
KEY-D CONFIGURATION	
COLOR	PART NUMBER
BROWN	AT04-12PD-LE07

SEE SHEET 2		DESCRIPTION		ITEM		
PART NUMBER						
QUANTITY	MATERIALS LIST					
<b>UNLESS OTHERWISE SPECIFIED</b> 1) All dimensions are in metric(mm). 2) Tolerances are as follows: 1 PL DEC ±0.30 Fractions ±1/64 2 PL DEC ±0.15 Angles ±1° 3 PL DEC ±0.06 3) Note reference =	SIGNATURES	DATE	 Sine Systems - www.amphenol-sine.com 44724 Morley Drive Clinton Township, MI 48036 12P RECEPTACLE, FLANGE MOUNT, END CAP			
	DRAWN: ROOKIE	30/NOV/18				
CHECKED: ORION	30/NOV/18					
APPROVAL: TOMMY	30/NOV/18					
MATERIAL SPECIFICATIONS:	CUSTOMER:					
PROCESS SPECIFICATIONS:	THIS DRAWING IS SUPPLIED FOR INFORMATION ONLY. DESIGN FEATURES, SPECIFICATIONS AND PERFORMANCE DATA SHOWN HEREON ARE THE PROPERTY OF THE AMPHENOL CORPORATION. NO RIGHTS OF REPRODUCTION ARE IMPLIED. ALL DIMENSIONS ARE SUBJECT TO NORMAL MANUFACTURING VARIATIONS.		SIZE	TYPE	DWG NO.	REVISION
NEXT ASSY:	SCALE: NONE		B	C-	AT04-12PX-LE07	A1
			SHEET 2 OF 3			

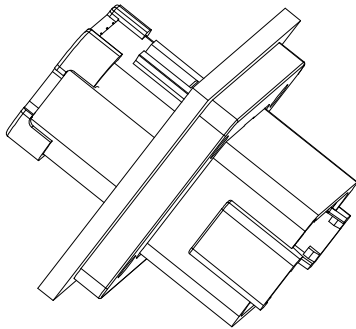
TITLE: 12P RECEPTACLE, FLANGE MOUNT, END CAP  
 DWG NO.: AT04-12PX-LE07  
 REV: A1  
 SH: 2  
 OF: 3

REVISIONS					
REV	ECO	DESCRIPTION	DATE	BY	APPR
A1	-	RELEASE NUMBER	30/NOV/18	ROOKIE	TOMMY

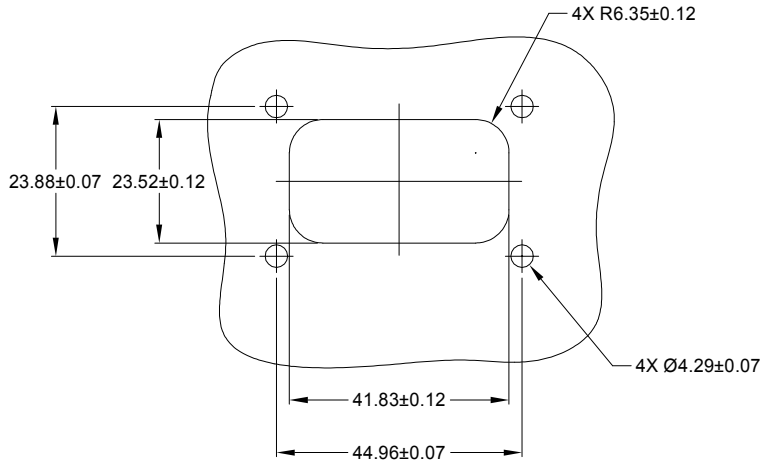
FOR REFERENCE ONLY



FRONT MOUNT



REAR MOUNT



RECOMMENDED CUTOUT  
FRONT AND REAR MOUNT

SEE SHEET 2		
PART NUMBER	DESCRIPTION	ITEM

QUANTITY	SIGNATURES			DATE	MATERIALS LIST	
UNLESS OTHERWISE SPECIFIED 1) All dimensions are in metric(mm). 2) Tolerances are as follows: 1 PL DEC ±0.30 2 PL DEC ±0.15 3 PL DEC ±0.08 3) Note reference =	DRAWN:	ROOKIE		30/NOV/18	<h1>Amphenol</h1> Sine Systems - www.amphenol-sine.com 44724 Morley Drive Clinton Township, MI 48036  12P RECEPTACLE, FLANGE MOUNT, END CAP	
	CHECKED:	ORION		30/NOV/18		
	APPROVAL:	TOMMY		30/NOV/18		
	CUSTOMER:					
MATERIAL SPECIFICATIONS:	THIS DRAWING IS SUPPLIED FOR INFORMATION ONLY. DESIGN FEATURES, SPECIFICATIONS AND PERFORMANCE DATA SHOWN HEREON ARE THE PROPERTY OF THE AMPHENOL CORPORATION. NO RIGHTS OF REPRODUCTION ARE IMPLIED. ALL DIMENSIONS ARE SUBJECT TO NORMAL MANUFACTURING VARIATIONS.				SIZE	B C-
PROCESS SPECIFICATIONS:					DWG NO:	AT04-12PX-LE07
NEXT ASSY:					REVISION	A1
					SCALE:	NONE
					SHEET	3 OF 3

TITLE: 12P RECEPTACLE, FLANGE MOUNT, END CAP  
 DWG NO: AT04-12PX-LE07  
 REV: A1  
 SH: 3  
 OF: 3

## X-ON Electronics

Largest Supplier of Electrical and Electronic Components

*Click to view similar products for [Automotive Connectors](#) category:*

*Click to view products by [Amphenol](#) manufacturer:*

Other Similar products are found below :

[003-018-000](#) [60403001](#) [60993906-B](#) [M902-2131](#) [M902-2161](#) [72.330.1035.1](#) [73.353.4028.0](#) [F119300-B](#) [F166900](#) [F258300-B](#) [F358300-B](#)  
[F407400](#) [F444110](#) [F487000](#) [F509500B-B](#) [827153-1](#) [8N1515-32-24P](#) [9-1326729-8](#) [925474-1](#) [928905-1](#) [964562-4](#) [968782-1](#) [GT17SA-8DS-](#)  
[HU](#) [98891-1012](#) [98947-1016](#) [12004475-L](#) [12010290](#) [12010309-B](#) [12015454](#) [12020219-B](#) [12020308](#) [12041318-B](#) [12052225-L](#) [12052466](#)  
[12059125](#) [12064869](#) [12004327-B](#) [12010503-B](#) [12015308](#) [12015384](#) [12015909](#) [1-21030-1](#) [12041254](#) [12041318](#) [12047946-B](#) [12047957](#)  
[12047957-L](#) [12059473](#) [12066261](#) [12110546](#)