

REVISIONS					
REV	ECO	DESCRIPTION	DATE	BY	APPR
A1	-	RELEASE NEW DRAWING	11APR18	ROOKIE	TOMMY
A2	-	REVISED DESCRIPTION	12JUN19	JAH	DH

NOTES: UNLESS OTHERWISE SPECIFIED

△ SEE SHEET 2 FOR KEY ARRANGEMENTS AND COLORS.

2. MATERIAL:  
HOUSING: THERMOPLASTIC  
SEAL: SILICONE RUBBER  
CONTACT: COPPER ALLOY
3. MODIFICATIONS: 2 PIECES OF 6 PIN BUSBAR WITH GOLD PLATED
4. SPECIFICATIONS:
  - 4.1 CURRENT RATING: 39 AMPS MAXIMUM FOR THE 6 PIN BUSBAR
  - 4.2 OPERATING TEMPERATURE: -55°C TO +125°C.
  - 4.3 DIELECTRIC WITHSTANDING VOLTAGE: LESS THAN 2 MILLIAMPS CURRENT LEAKAGE @ 1500 VOLTS AC.
  - 4.4 INSULATION RESISTANCE: 1000 MEGOHM MIN @ 25°C.
  - 4.5 MOISTURE RESISTANCE: IP67 ( MATED CONDITION ).
  - 4.6 MATING CYCLE DURABILITY: 100 CYCLES
  - 4.7 RoHS COMPLIANT

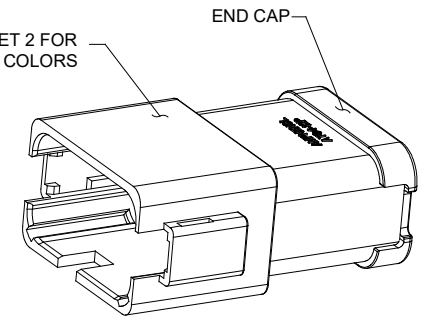
5. MATING PART: AT06-12SX\* PLUG  
(X=A,B,C,D KEYS \* = AVAILABLE MODIFICATIONS )

△ ORIENTATION OF "Amphenol" AND "-P027" TO BE OPTIONAL

△ BORDERS SIGNIFY THAT PINS 1,2,3,10,11,12 AND PINS 4,5,6,7,8,9 ARE BUSSED TOGETHER WITH 6 PIN BUSBARS

8. ALL DIMENSIONS ARE FOR REFERENCE USE ONLY.

△ REFER TO SHEET 2 FOR AVAILABLE CONNECTOR COLORS

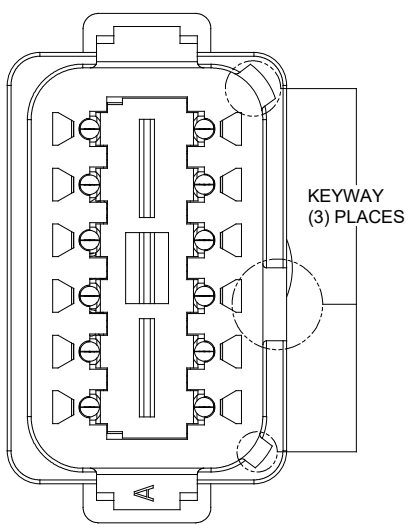


SEE SHEET 2		REF: DT04-12PB-P027			
PART NUMBER		DESCRIPTION		ITEM	
QUANTITY		MATERIALS LIST			
UNLESS OTHERWISE SPECIFIED 1) All dimensions are in metric(mm). 2) Tolerances are as follows: 1 PL DEC ±0.30 Fractions ±1/64 2 PL DEC ±0.15 Angles ±1° 3 PL DEC ±0.08 3) Note reference = △		SIGNATURES		DATE	
DRAWN: ROOKIE		11APR18		<h1>Amphenol</h1> <p>Sine Systems - www.amphenol-sine.com 44724 Morley Drive Clinton Township, MI 48036</p>	
CHECKED: CRON		11APR18			
ENGINEER:					
APPROVAL: TOMMY		11APR18		<p>HYPERBUSS AT 12WAY RECEPTACLE (2)6 PIN BUSBAR GOLD-PLATED</p>	
CUSTOMER:					
MATERIAL SPECIFICATIONS:		THIS DRAWING IS SUPPLIED FOR INFORMATION ONLY. DESIGN FEATURES, SPECIFICATIONS AND PERFORMANCE DATA SHOWN HEREON ARE THE PROPERTY OF THE AMPHENOL CORPORATION. NO RIGHTS OF REPRODUCTION ARE IMPLIED. ALL DIMENSIONS ARE SUBJECT TO NORMAL MANUFACTURING VARIATIONS.		<p>SIZE: B C-    TYPE:    DWG NO: AT04-12PX-P027    REVISION: A2</p>	
PROCESS SPECIFICATIONS:		SCALE: NONE		SHEET 1 OF 2	
NEXT ASSY:					

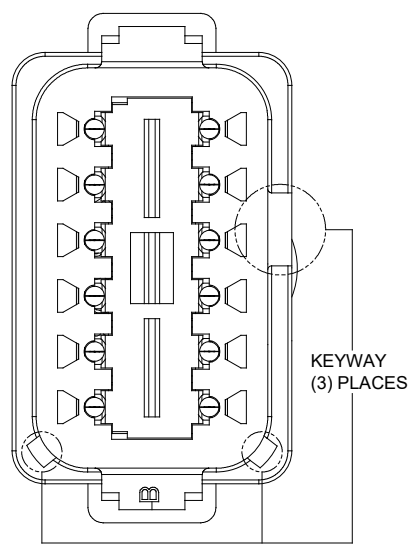
TITLE: HYPERBUSS AT 12WAY RECP (2)6 PIN BUSBAR GOLD-PLATED  
DWG NO: AT04-12PX-P027  
REV: A2  
SH: 1  
OF: 2

REVISIONS					
REV	ECO	DESCRIPTION	DATE	BY	APPR
A1	-	RELEASE NEW DRAWING	11APR18	ROOKIE	TOMMY
A2	-	REVISED DESCRIPTION	12JUN19	JAH	DH

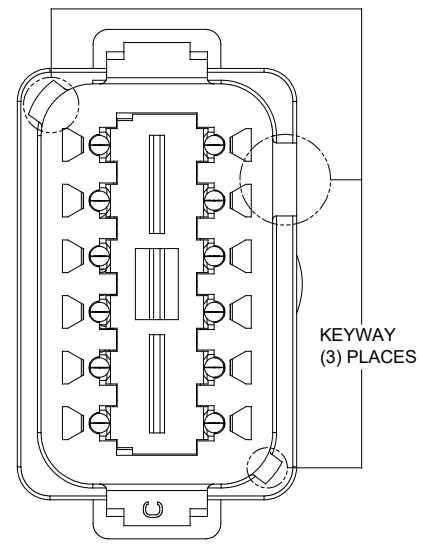
P/N AT04-12PA-P027  
KEY-A CONFIGURATION  
STANDARD COLOR: GREY



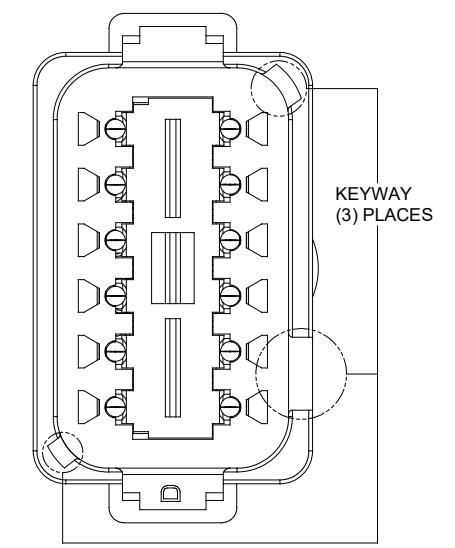
P/N AT04-12PB-P027  
KEY-B CONFIGURATION  
STANDARD COLOR: BLACK



P/N AT04-12PC-P027  
KEY-C CONFIGURATION  
STANDARD COLOR: GREEN



P/N AT04-12PD-P027  
KEY-D CONFIGURATION  
STANDARD COLOR: BROWN



TITLE: HYPERBUSS AT 12WAY RECP (2)6 PIN BUSBAR GOLD-PLATED  
DWG NO.: AT04-12PX-P027  
REV: A2  
SH: 2  
OF: 2

QUANTITY	PART NUMBER	DESCRIPTION	ITEM
<b>MATERIALS LIST</b>			
UNLESS OTHERWISE SPECIFIED 1) All dimensions are in metric(mm). 2) Tolerances are as follows: 1 PL DEC ±0.30    Fractions ±1/64 2 PL DEC ±0.15    Angles ±1° 3 PL DEC ±0.08 3) Note reference =		<b>Amphenol</b> Sine Systems - www.amphenol-sine.com 44724 Morley Drive Clinton Township, MI 48036	
MATERIAL SPECIFICATIONS:  PROCESS SPECIFICATIONS:  NEXT ASSY:		SIGNATURES    DATE DRAWN: ROOKIE    11APR18 CHECKED: ORION    11APR18 ENGINEER: APPROVAL: TOMMY    11APR18 CUSTOMER: THIS DRAWING IS SUPPLIED FOR INFORMATION ONLY. DESIGN FEATURES, SPECIFICATIONS AND PERFORMANCE DATA SHOWN HEREON ARE THE PROPERTY OF THE AMPHENOL CORPORATION. NO RIGHTS OF REPRODUCTION ARE IMPLIED. ALL DIMENSIONS ARE SUBJECT TO NORMAL MANUFACTURING VARIATIONS.	
		SIZE: <b>B C-</b> SCALE: NONE	DWG NO.: <b>AT04-12PX-P027</b> SHEET 2 OF 2
		REVISION: <b>A2</b>	

## X-ON Electronics

Largest Supplier of Electrical and Electronic Components

*Click to view similar products for [Automotive Connectors](#) category:*

*Click to view products by [Amphenol](#) manufacturer:*

Other Similar products are found below :

[003-018-000](#) [60403001](#) [60993906-B](#) [M902-2131](#) [M902-2161](#) [72.330.1035.1](#) [73.353.4028.0](#) [F119300-B](#) [F166900](#) [F258300-B](#) [F358300-B](#)  
[F407400](#) [F444110](#) [F487000](#) [F509500B-B](#) [827153-1](#) [8N1515-32-24P](#) [9-1326729-8](#) [925474-1](#) [928905-1](#) [964562-4](#) [968782-1](#) [GT17SA-8DS-](#)  
[HU](#) [98891-1012](#) [98947-1016](#) [12004475-L](#) [12010290](#) [12010309-B](#) [12015454](#) [12020219-B](#) [12020308](#) [12041318-B](#) [12052225-L](#) [12052466](#)  
[12059125](#) [12064869](#) [12004327-B](#) [12010503-B](#) [12015308](#) [12015384](#) [12015909](#) [1-21030-1](#) [12041254](#) [12041318](#) [12047946-B](#) [12047957](#)  
[12047957-L](#) [12059473](#) [12066261](#) [12110546](#)