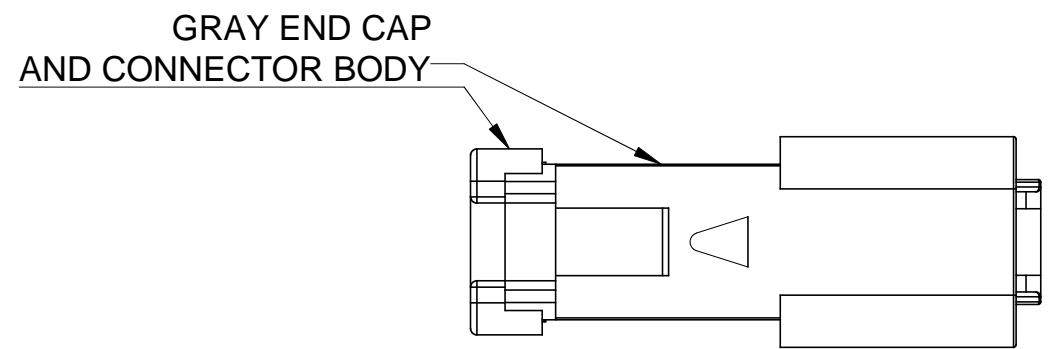
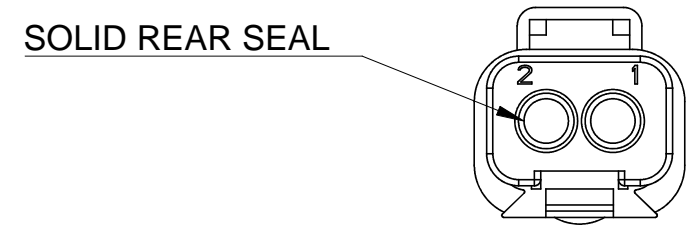
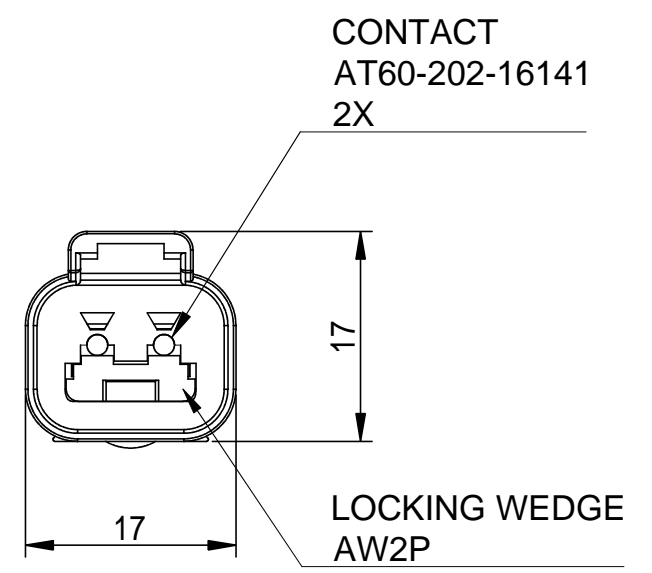
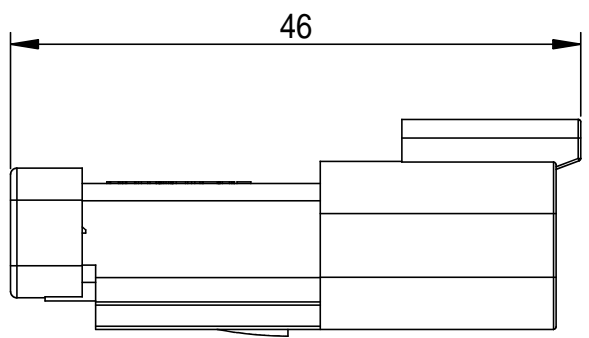
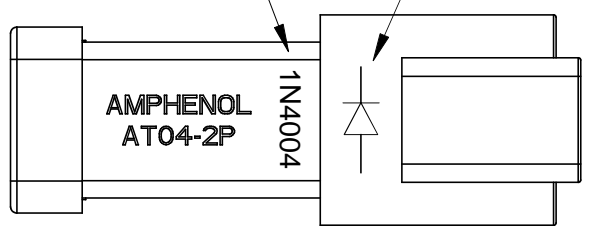


REVISIONS						
REV	ZONE	ECO	DESCRIPTION	DATE	BY	APPR
01	--	--	CONCEPTUAL	30JUL13	RFC	RFC
02	--	--	CHANGE HOUSING TO GREY	31JUL13	RFC	RFC
03	--	--	UPDATE DRAWING FORMAT	06NOV13	DRP	DRP

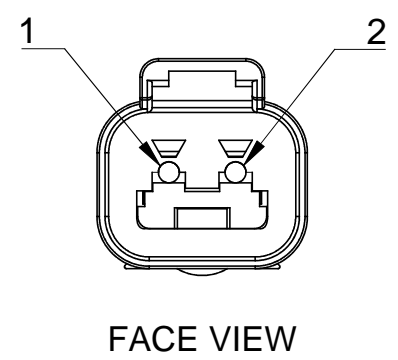
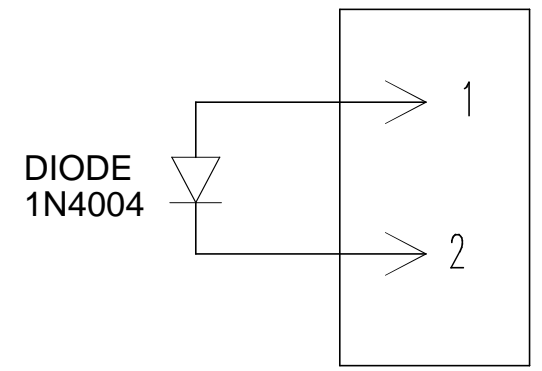
NOTES: UNLESS OTHERWISE SPECIFIED

- 1 DIMENSIONS ARE FOR REFERENCE ONLY.
- 2 PART NUMBER AT04-2P-D1N4GRY IS A FULLY ASSEMBLED CONNECTOR READY FOR USE.
- 3 CONNECTOR BODY & CAP COLOR TO BE GRAY

LASER MARK DIODE STYLE
 LASER MARK DIODE SYMBOL IN THE ORIENTATION SHOWN



WIRING DIAGRAM



CUSTOMER DRAWING

ITEM	PART NUMBER	Qty	DESCRIPTION	REMARK
MATERIALS LIST				
UNLESS OTHERWISE SPECIFIED 1) All dimensions are in metric(mm). 2) Tolerances are as follows: 1 PL DEC ±0.20 2 PL DEC ±0.10 3 PL DEC ±0.05			MATERIAL SPECIFICATIONS:	SINE Systems Corporation A Subsidiary of Amphenol Corporation
Fractions ±1/64 Angles ±1°			PROCESS SPECIFICATIONS: IPC620-A	
SIGNATURE		DATE	THIS DRAWING IS SUPPLIED FOR INFORMATION ONLY. DESIGN FEATURES, SPECIFICATIONS AND PERFORMANCE DATA SHOWN HEREON ARE THE PROPERTY OF THE AMPHENOL CORPORATION. NO RIGHTS OF REPRODUCTION ARE IMPLIED. ALL DIMENSIONS ARE SUBJECT TO NORMAL MANUFACTURING VARIATIONS.	
DRAWN	R. CURRY	30-JUL-13		
CHECKED	R. CURRY	30-JUL-13		
ENGINEER	R. CURRY	30-JUL-13		
APPROVAL	R. CURRY	30-JUL-13		
CUSTOMER	ALL			
			RECEPT, 2 WAY "AT", DIODE 1N4004 ,GRAY	
			DWG NO. AT04-2P-D1N4GRY	
			THIRD ANGLE PROJECTION	FSCM NO.
			SIZE A3	MASS
			REV. 03	SCALE NONE
			NEXT ASSY:	
			SHEET 1 OF 1	

X-ON Electronics

Largest Supplier of Electrical and Electronic Components

Click to view similar products for [Automotive Connectors](#) category:

Click to view products by [Amphenol](#) manufacturer:

Other Similar products are found below :

[003-018-000](#) [60403001](#) [60993906-B](#) [M902-2131](#) [M902-2161](#) [72.330.1035.1](#) [73.353.4028.0](#) [F119300-B](#) [F166900](#) [F258300-B](#) [F358300-B](#)
[F407400](#) [F444110](#) [F487000](#) [F509500B-B](#) [827153-1](#) [8N1515-32-24P](#) [9-1326729-8](#) [925474-1](#) [928905-1](#) [964562-4](#) [968782-1](#) [GT17SA-8DS-](#)
[HU](#) [98891-1012](#) [98947-1016](#) [12004475-L](#) [12010290](#) [12010309-B](#) [12015454](#) [12020219-B](#) [12020308](#) [12041318-B](#) [12052225-L](#) [12052466](#)
[12059125](#) [12064869](#) [12004327-B](#) [12010503-B](#) [12015308](#) [12015384](#) [12015909](#) [1-21030-1](#) [12041254](#) [12041318](#) [12047946-B](#) [12047957](#)
[12047957-L](#) [12059473](#) [12066261](#) [12110546](#)